

IS 10322



R-41163970



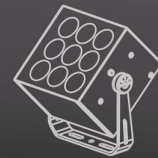
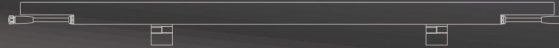
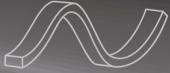
LANDSCAPE LIGHTING NEW EDITION 2022

INDIAN OFFICE: GSN SYSTEMS & AUTOMATION

NO. 3058/4, 8 th A Cross, 14 th Main Road, Vijayanagar,
2 nd Stage, BANGALURU - INDIA; ZIP CODE : 560040

Attn: G.RAMESH

Mob: 0091 09845626899 / 9341458885



LED Wall Washer Light Series Extraordinary



YH-X251011

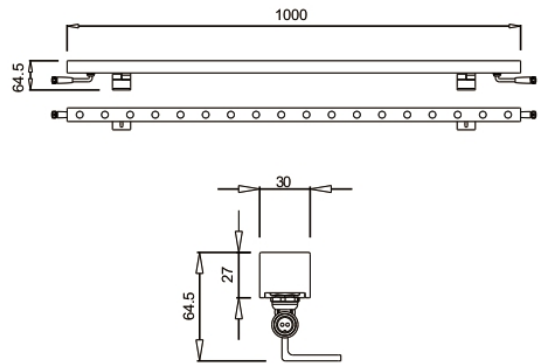


- PWM
- IP66
- DALI
- RoHS
- DMX 512
- CE
- 1-10V
- Triac

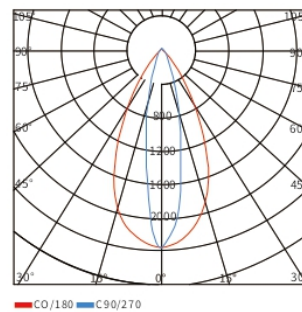
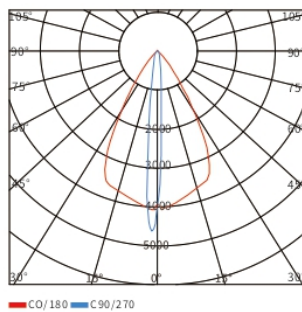
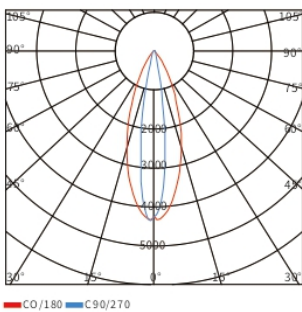
Features

- Body composition AL solid extruded, anodized aluminum or outdoor powder coated
- Lens PMMA, Up to 90% efficiency
- Diffuser 4mm tempered glass
- IP rated IP66 for outdoor or wet location
- Lighting Engine CREE/Osram/Epistar
- Ambient Temp. -20°C~45°C
- Accessories Surface mounted bracket kit
- Wires Rubber 2X1 mm², 3X1 mm², 2X1+3X0.5mm²
- Working method on/off, DMX512, Triac, PWM, 1-10V

Dimension(mm)



Typical Photometric



Light Throw



Model	Class	Input Volt	Watt	CCT	Beam Angle	LED Qty	Typical Lumen Data	IK Rated	SDCM	CRI
-------	-------	------------	------	-----	------------	---------	--------------------	----------	------	-----

YH-X251011	Wall Washer	DC24V DC48V	18W/24W	3000K 4000K RGB RGBW	7.5°	24	@3000K 75lm/w 1350lm/m/18w 1800lm/m/24w	Ik06	3	80
					11°					
					20°					
					38°					
					45°					
60°										
					11°(asymmetric 2.5°)					
					12°44°					

LED Wall Washer Light Series Extraordinary



YH-X251012

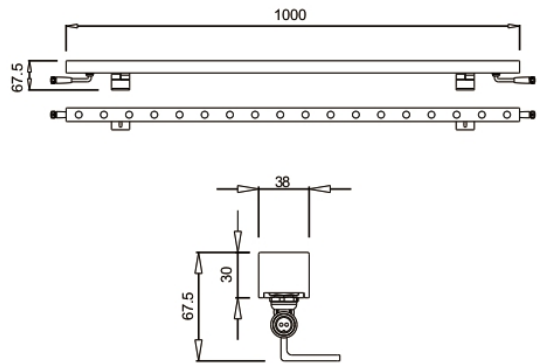


- PWM
- IP66
- DALI
- RoHS
- DMX 512
- CE
- 1-10V
- Triac

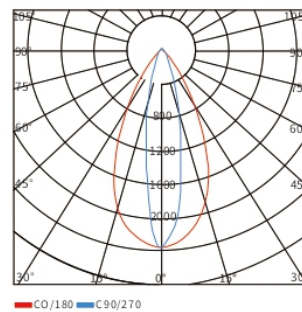
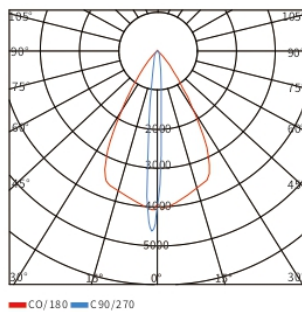
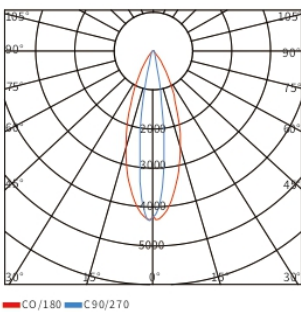
Features

- Body composition AL solid extruded, anodized aluminum or outdoor powder coated
- Lens PMMA, Up to 90% efficiency
- Diffuser 4mm tempered glass
- IP rated IP66 for outdoor or wet location
- Lighting Engine CREE/Osram/Epistar
- Ambient Temp. -20°C~45°C
- Accessories Surface mounted bracket kit
- Wires Rubber 2X1 mm², 3X1 mm², 2X1+3X0.5mm²
- Working method on/off, DMX512, Triac, PWM, 1-10V

Dimension(mm)



Typical Photometric



Light Throw



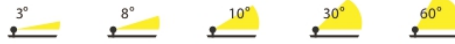
Model	Class	Input Volt	Watt	CCT	Beam Angle	LED Qty	Typical Lumen Data	IK Rated	SDCM	CRI
-------	-------	------------	------	-----	------------	---------	--------------------	----------	------	-----

YH-X251012	Wall Washer	DC24V DC48V	18W	3000K	7.5°	24	@3000K 75lm/w 1350lm/m/18w 1800lm/m/24w 2700lm/m/36w 3600lm/m/48w	Ik06	3	80
			24W	4000K	11°					
			36W	RGB	20°					
			48W	RGBW	38°					
					45°					
					60°					
		11°(symmetric 2.5°)								
		12°44°								

LED Wall Washer Light Series Extraordinary



YH-X251013



PWM

IP66

DALI

RoHS

DMX
512

CE

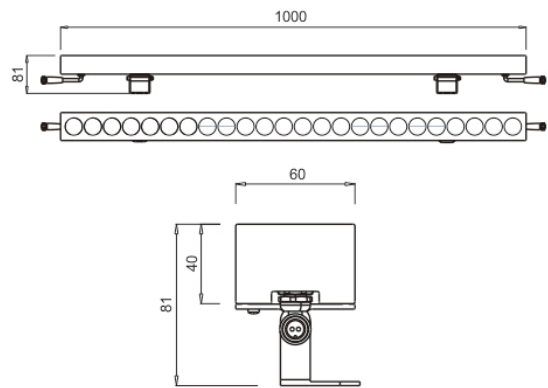
1-10V

Triac

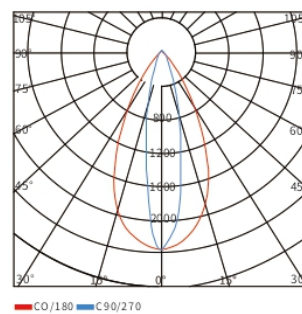
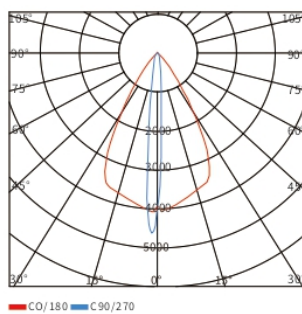
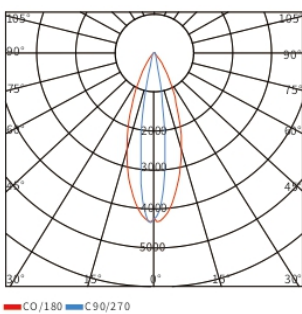
Features

Body composition	AL solid extruded, anodized aluminum or outdoor powder coated
Lens	PMMA, Up to 90% efficiency
Diffuser	4mm tempered glass
IP rated	IP66 for outdoor or wet location
Lighting Engine	CREE/Osram/Epistar
Ambient Temp.	-20°C~45°C
Accessories	Surface mounted bracket kit
Wires	Rubber 2X1 mm ² , 3X1 mm ² , 2X1+3X0.5mm ²
Working method	on/off, DMX512, Triac, PWM, 1-10V

Dimension(mm)



Typical Photometric



Light Throw

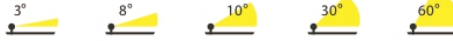


Model	Class	Input Volt	Watt	CCT	Beam Angle	LED Qty	Typical Lumen Data	IK Rated	SDCM	CRI
YH-X251014	Wall Washer	DC24V	54W	3000K	3°/8°	24	@ 3000K 75lm/w	Ik06	3	80
		DC48V	72W	4000K	10°/15°		4050lm/m/54w			
			96W	RGB RGBW	30°/60°		5400lm/m/72w 7200lm/m/96w			

LED Wall Washer Light Series Extraordinary



YH-X251014



PWM

IP66

DALI

RoHS

DMX
512

CE

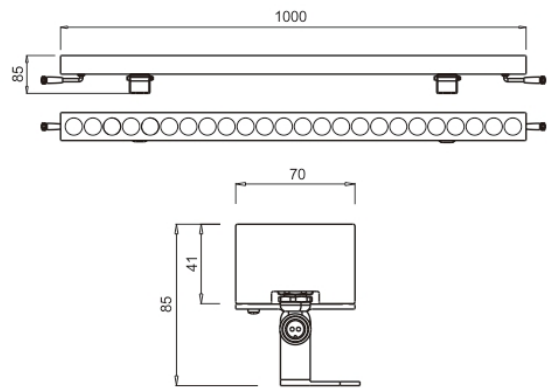
1-10V

Triac

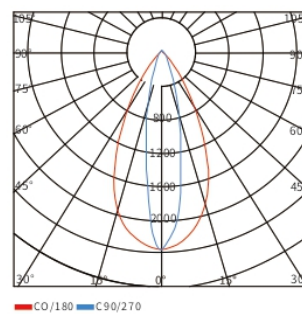
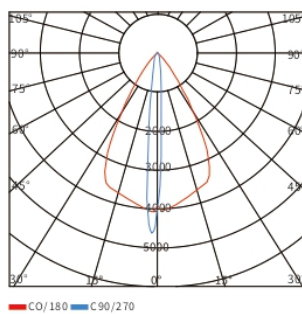
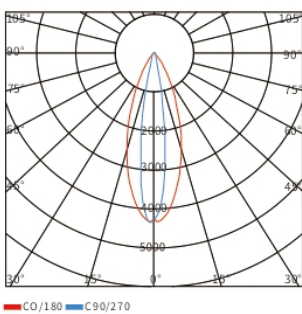
Features

Body composition	AL solid extruded, anodized aluminum or outdoor powder coated
Lens	PMMA, Up to 90% efficiency
Diffuser	4mm tempered glass
IP rated	IP66 for outdoor or wet location
Lighting Engine	CREE/Osram/Epistar
Ambient Temp.	-20°C~45°C
Accessories	Surface mounted bracket kit
Wires	Rubber 2X1mm ² , 3X1mm ² , 2X1+3X0.5mm ²
Working method	on/off, DMX512, Triac, PWM, 1-10V

Dimension(mm)



Typical Photometric



Light Throw

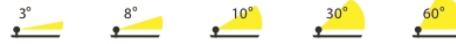


Model	Class	Input Volt	Watt	CCT	Beam Angle	LED Qty	Typical Lumen Data	IK Rated	SDCM	CRI
YH-X251015	Wall Washer	AC220V	120W	3000K 4000K RGB RGBW	3°/8° 10°/15° 30°/60°	24	@3000K 75lm/w 9000lm/m/120w	Ik06	3	80

LED Wall Washer Light Series Extraordinary



YH-X251015

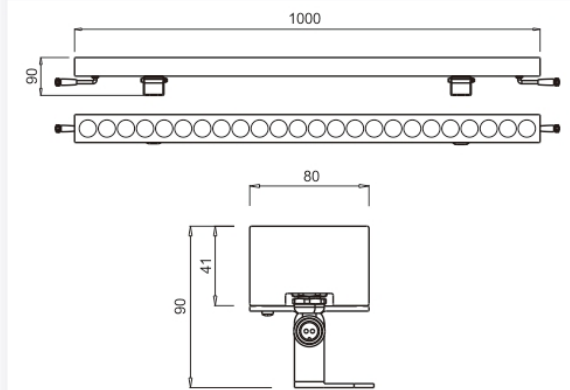


- PWM
- IP66
- DALI
- RoHS
- DMX 512
- CE
- 1-10V
- Triac

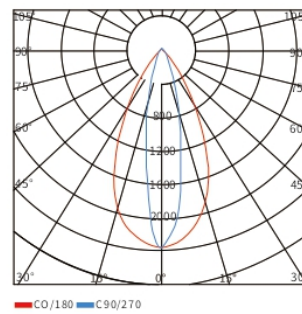
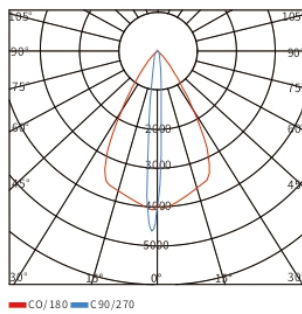
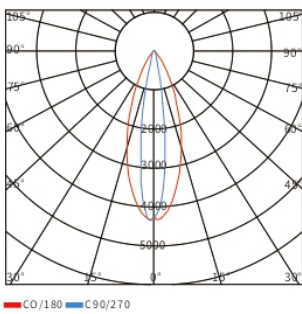
Features

- Body composition AL solid extruded, anodized aluminum or outdoor powder coated
- Lens PMMA, Up to 90% efficiency
- Diffuser 4mm tempered glass
- IP rated IP66 for outdoor or wet location
- Lighting Engine CREE/Osram/Epistar
- Ambient Temp. -20°C~45°C
- Accessories Surface mounted bracket kit
- Wires Rubber 2X1 mm², 3X1 mm², 2X1+3X0.5mm²
- Working method on/off, DMX512, Triac, PWM, 1-10V

Dimension(mm)



Typical Photometric



Light Throw



Model	Class	Input Volt	Watt	CCT	Beam Angle	LED Qty	Typical Lumen Data	IK Rated	SDCM	CRI
YH-X251015	Wall Washer	AC220V	150W	3000K 4000K RGB RGBW	3°/8° 10°/15° 30°/60°	24	@3000K 75lm/w 11250lm/m/150w	Ik06	3	80

LED Wall Washer Light Series Extraordinary



YH-X251001



PWM

IP66

DALI

RoHS

DMX
512

CE

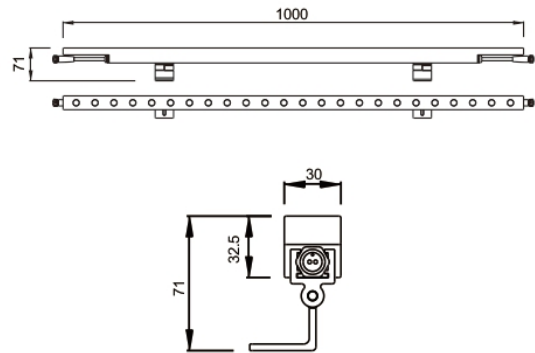
1-10V

Triac

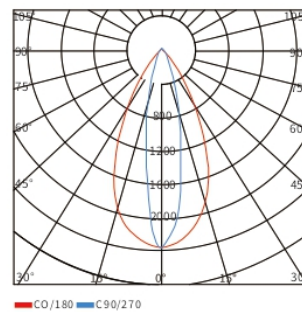
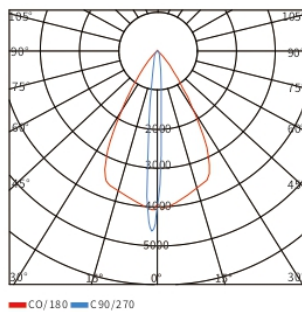
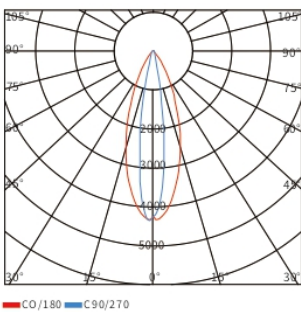
Features

- Body composition: AL solid extruded, anodized aluminum or outdoor powder coated
- Lens: PMMA, Up to 90% efficiency
- Diffuser: 4mm tempered glass
- IP rated: IP66 for outdoor or wet location
- Lighting Engine: CREE/Osram/Epistar
- Ambient Temp.: -20°C~45°C
- Accessories: Surface mounted bracket kit
- Wires: Rubber 2X1mm², 3X1mm², 2X1+3X0.5mm²
- Working method: on/off, DMX512, Triac, PWM, 1-10V

Dimension(mm)



Typical Photometric



Light Throw



Model	Class	Input Volt	Watt	CCT	Beam Angle	LED Qty	Typical Lumen Data	IK Rated	SDCM	CRI
-------	-------	------------	------	-----	------------	---------	--------------------	----------	------	-----

YH-X251001	Wall Washer	DC24V	18W	3000K	7.5°	24	@3000K	Ik06	3	80
		DC48V	24W	4000K RGB RGBW	11° 20° 38° 45° 60° 11°(asymmetric 2.5°) 12°44°		75lm/w 1350lm/m/18w 1800lm/m/24w			

LED Wall Washer Light Series Extraordinary



YH-X251002

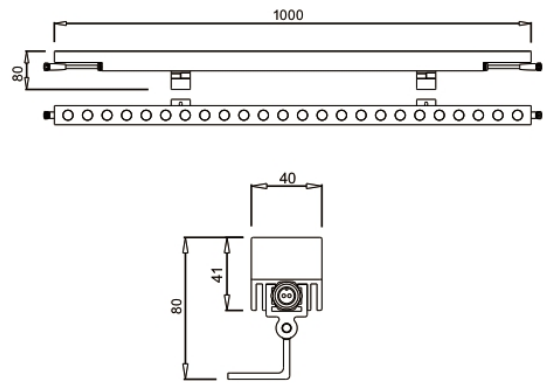


- PWM
- IP66
- DALI
- RoHS
- DMX 512
- CE
- 1-10V
- Triac

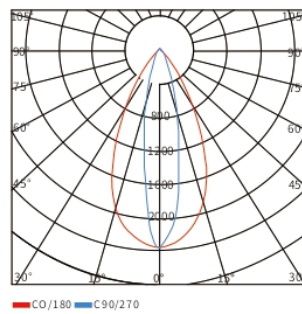
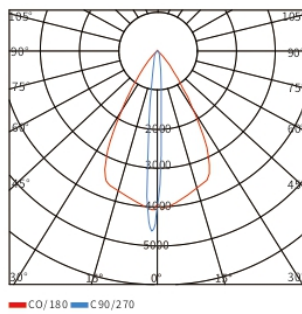
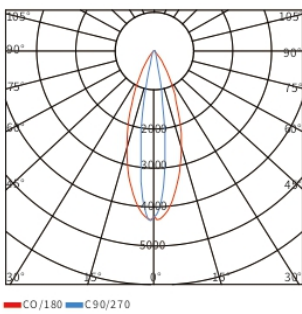
Features

- Body composition AL solid extruded, anodized aluminum or outdoor powder coated
- Lens PMMA, Up to 90% efficiency
- Diffuser 4mm tempered glass
- IP rated IP66 for outdoor or wet location
- Lighting Engine CREE/Osram/Epistar
- Ambient Temp. -20°C~45°C
- Accessories Surface mounted bracket kit
- Wires Rubber 2X1mm², 3X1mm², 2X1+3X0.5mm²
- Working method on/off, DMX512, Triac, PWM, 1-10V

Dimension(mm)



Typical Photometric



Light Throw



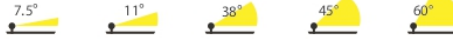
Model	Class	Input Volt	Watt	CCT	Beam Angle	LED Qty	Typical Lumen Data	IK Rated	SDCM	CRI
-------	-------	------------	------	-----	------------	---------	--------------------	----------	------	-----

YH-X251002	Wall Washer	DC24V DC48V	18W	3000K 4000K RGB RGBW	7.5°	24	@3000K 75lm/w 1350lm/m/18w 1800lm/m/24w 2700lm/m/36w 3600lm/m/48w	Ik06	3	80
			24W		11°					
			36W		20°					
			48W		38°					
					45°					
					60°					
	11°(asymmetric 2.5°) 12°44°									

LED Wall Washer Light Series Extraordinary



YH-X251 003



PWM

IP66

DALI

RoHS

DMX
512

CE

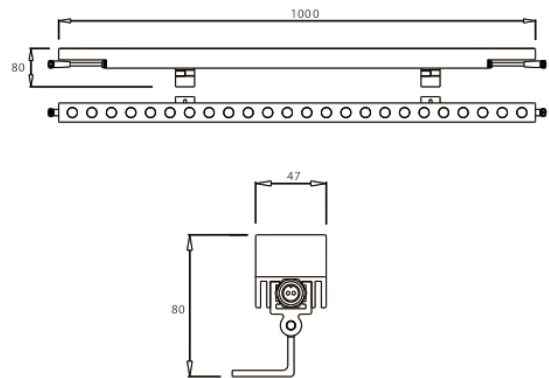
1-10V

Triac

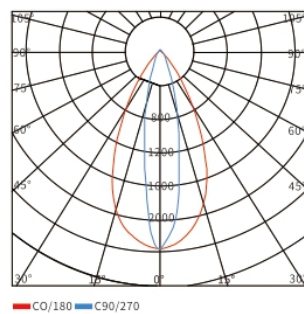
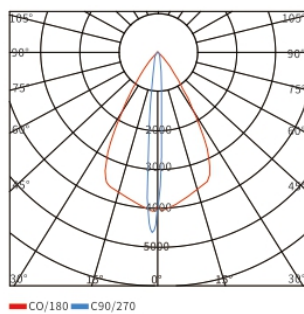
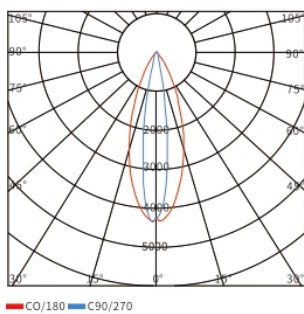
Features

- Body composition AL solid extruded, anodized aluminum or outdoor powder coated,
- Lens PMMA, Up to 90% efficiency
- Diffuser 4mm tempered glass
- IP rated IP66 for outdoor or wet location
- Lighting Engine CREE/Osram/Epistar
- Ambient Temp. -20°C~45°C
- Accessories Surface mounted bracket kit
- Wires Rubber 2X1 mm², 3X1 mm², 2X1+3X0.5mm²
- Working method on/off, DMX512, Triac, PWM, 1-10V

Dimension(mm)



Typical Photometric



Light Throw



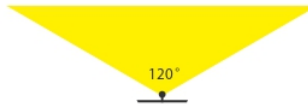
Model	Class	Input Volt	Watt	CCT	Beam Angle	LED Qty	Typical Lumen Data	IK Rated	SDCM	CRI
-------	-------	------------	------	-----	------------	---------	--------------------	----------	------	-----

YH-X251003	Wall Washer	DC24V DC48V	35W	3000K	7.5°	24	@3000K 75lm/w 2625lm/m/35w 3375lm/m/45w 4125lm/m/55w	Ik06	3	80
			45W	4000K	11°					
			55W	RGB	20°					
				RGBW	38°					
					45°					
		60°								
					11°(asymmetric 2.5°)					
					12°44°					



LED Linear Light

YH-L322101

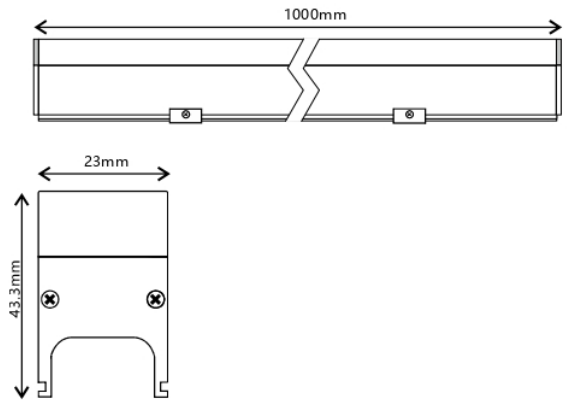


- PWM
- IP65
- DALI
- RoHS
- DMX 512
- CE
- 1-10V
- Triac

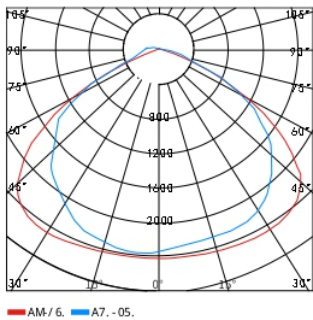
Features

- Body composition AL solid extruded ,anodized aluminum or outdoor powder coated
- Diffuser PC Tube,anti-UV
- IP rated IP65 for outdoor and wet location
- Lighting Engine CREE/Osram/Epistar
- Ambient Temp. -25°C~50°C
- Accessories Surface mounted bracket kit
- Wires Rubber 2X1mm²、2X1+3X0.5mm²
- Working method on/off、DMX512、Triac、PWM、1-10V

Dimension(mm)



Typical Photometric



Light Throw



Model	Class	Input Volt	Watt	CCT	Beam Angle	LED Qty	Working Method	Body Composition	Diffuser	IP
YH-L322101	Linear Light	DC24V	$\frac{10W}{12W}$	3000K 4000K RGB RGBW	120°	48	On/Off DMX512 PWM Triac 1-10V	Al6063	PC	IP65

LED Linear Light

PWM

IP65

DALI

RoHS

DMX
512

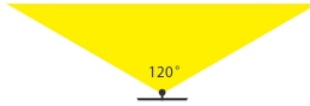
CE

1-10V

Triac



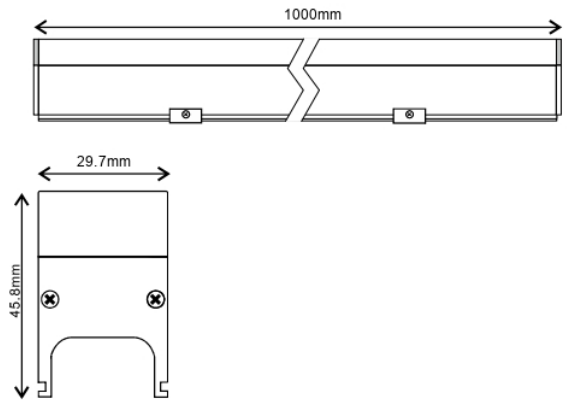
YH-L322102



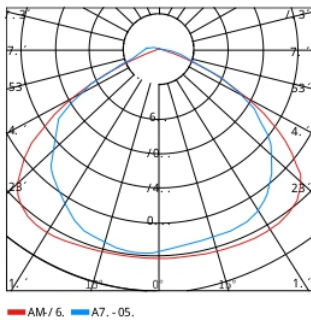
Features

- Body composition: AL solid extruded ,anodized aluminum or outdoor powder coated
- Diffuser: PC Tube,anti-UV
- IP rated: IP65 for outdoor and wet location
- Lighting Engine: CREE/Osram/Epistar
- Ambient Temp.: -25°C~50°C
- Accessories: Surface mounted bracket kit
- Wires: Rubber 2X1mm²、2X1+3X0.5mm²
- Working method: on/off、DMX512、Triac、PWM、1-10V

Dimension(mm)



Typical Photometric



Light Throw



Model	Class	Input Volt	Watt	CCT	Beam Angle	LED Qty	Working Method	Body Composition	Diffuser	IP
YH-L322102	Linear Light	DC24V	12W 15W	3000K 4000K RGB RGBW	120°	48	On/Off DMX512 PWM Triac 1-10V	Al6063	PC	IP65

LED Linear Light

PWM

IP65

DALI

RoHS

DMX
512

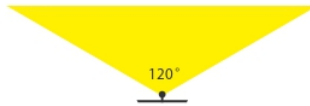
CE

1-10V

Triac



YH-L322111

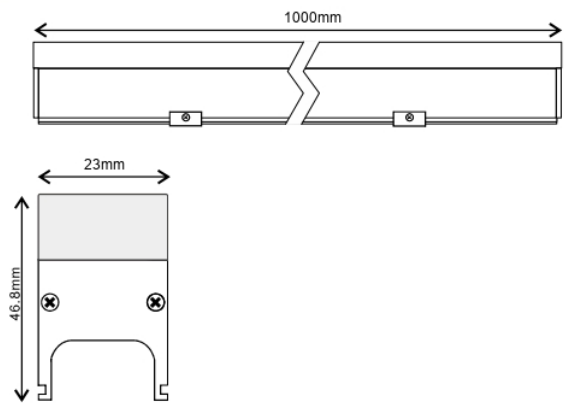


120°

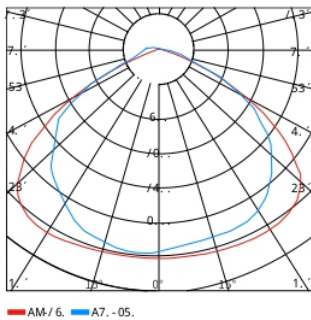
Features

Body composition	AL solid extruded ,anodized aluminum or outdoor powder coated
Diffuser	Acrylic
IP rated	IP65 for outdoor and wet location
Lighting Engine	CREE/Osram/Epistar
Ambient Temp.	-25°C~50°C
Accessories	Surface mounted bracket kit
Wires	Rubber 2X1mm ² 、2X1+3X0.5mm ²
Working method	on/off、DMX512、Triac、PWM、1-10V

Dimension(mm)



Typical Photometric



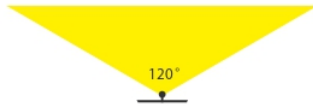
Light Throw



Model	Class	Input Volt	Watt	CCT	Beam Angle	LED Qty	Working Method	Body Composition	Diffuser	IP
YH-L322111	Linear Light	DC24V	$\frac{10W}{12W}$	3000K 4000K RGB RGBW	120°	48	On/Off DMX512 PWM Triac 1-10V	Al6063	Acrylic	IP65



LED Linear Light



- PWM
- IP65
- DALI
- RoHS
- DMX 512
- CE
- 1-10V
- Triac

Features

- Body composition AL solid extruded ,anodized aluminum or outdoor powder coated
- Diffuser Acrylic
- IP rated IP65 for outdoor and wet location
- Lighting Engine CREE/Osram/Epistar
- Ambient Temp. -25°C~50°C
- Accessories Surface mounted bracket kit
- Wires Rubber 2X1mm²、2X1+3X0.5mm²
- Working method on/off、DMX512、Triac、PWM、1-10V

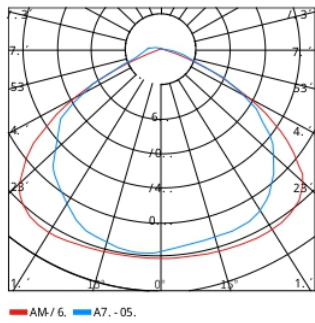
Dimension(mm)

1000mm

28.5mm

42.05mm

Typical Photometric



Light Throw

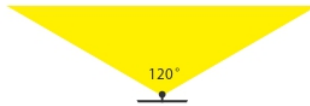


Model	Class	Input Volt	Watt	CCT	Beam Angle	LED Qty	Working Method	Body Composition	Diffuser	IP
YH-L322112	Linear Light	DC24V	12W 15W	3000K 4000K RGB RGBW	120°	48	On/Off DMX512 PWM Triac 1-10V	Al6063	Acrylic	IP65



LED Linear Light

YH-L322113



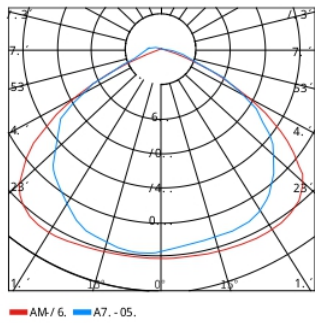
- PWM
- IP65
- DALI
- RoHS
- DMX 512
- CE
- 1-10V
- Triac

Features

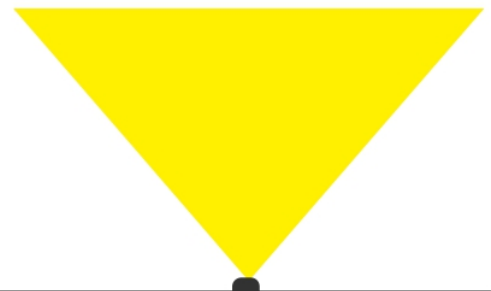
- Body composition AL solid extruded ,anodized aluminum or outdoor powder coated
- Diffuser Acrylic
- IP rated IP65 for outdoor and wet location
- Lighting Engine CREE/Osram/Epistar
- Ambient Temp. -25°C~50°C
- Accessories Surface mounted bracket kit
- Wires Rubber 2X1mm²、2X1+3X0.5mm²
- Working method on/off、DMX512、Triac、PWM、1-10V

Dimension(mm)

Typical Photometric



Light Throw



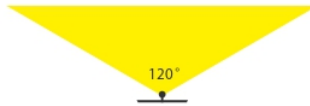
Model	Class	Input Volt	Watt	CCT	Beam Angle	LED Qty	Working Method	Body Composition	Diffuser	IP
YH-L322113	Linear Light	DC24V	18W 20W	3000K 4000K RGB RGBW	120°	48	On/Off DMX512 PWM Triac 1-10V	Al6063	Acrylic	IP65



LED Linear Light

- PWM
- IP65
- DALI
- RoHS
- DMX 512
- CE
- 1-10V
- Triac

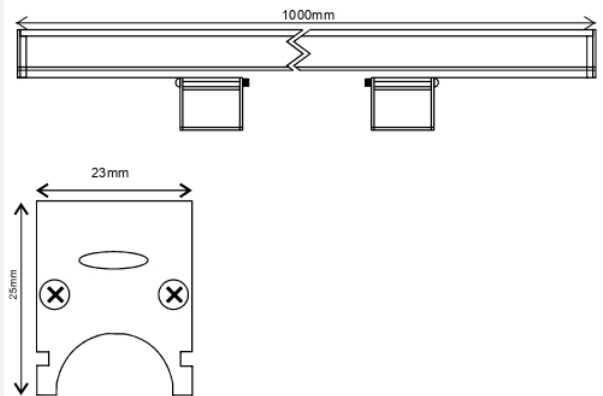
YH-L322121



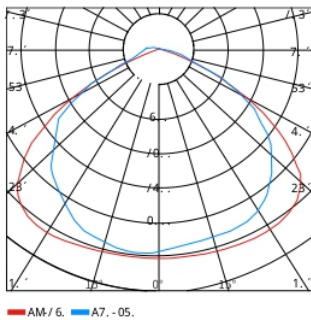
Features

- Body composition AL solid extruded ,anodized aluminum or outdoor powder coated
- Diffuser PC Tube,anti-UV
- IP rated IP65 for outdoor and wet location
- Lighting Engine CREE/Osram/Epistar
- Ambient Temp. -25°C~50°C
- Accessories Surface mounted bracket kit
- Wires Rubber 2X1mm²、2X1+3X0.5mm²
- Working method on/off、DMX512、Triac、PWM、1-10V

Dimension(mm)



Typical Photometric



Light Throw

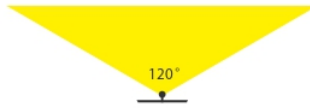


Model	Class	Input Volt	Watt	CCT	Beam Angle	LED Qty	Working Method	Body Composition	Diffuser	IP
YH-L322121	Linear Light	DC24V	$\frac{10W}{12W}$	3000K 4000K RGB RGBW	120°	48	On/Off DMX512 PWM Triac 1-10V	Al6063	PC	IP65

LED Linear Light



YH-L322122

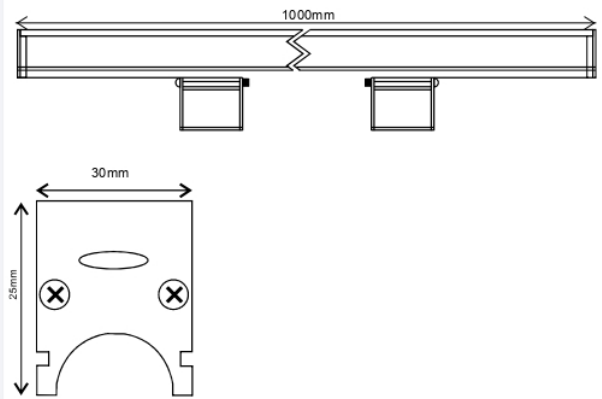


- PWM
- IP65
- DALI
- RoHS
- DMX 512
- CE
- 1-10V
- Triac

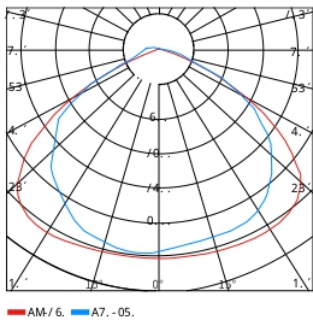
Features

- Body composition AL solid extruded ,anodized aluminum or outdoor powder coated
- Diffuser PC Tube,anti-UV
- IP rated IP65 for outdoor and wet location
- Lighting Engine CREE/Osram/Epistar
- Ambient Temp. -25°C~50°C
- Accessories Surface mounted bracket kit
- Wires Rubber 2X1mm²、2X1+3X0.5mm²
- Working method on/off、DMX512、Triac、PWM、1-10V

Dimension(mm)



Typical Photometric



Light Throw



Model	Class	Input Volt	Watt	CCT	Beam Angle	LED Qty	Working Method	Body Composition	Diffuser	IP
YH-L322122	Linear Light	DC24V	$\frac{12W}{15W}$	3000K 4000K RGB RGBW	120°	48	On/Off DMX512 PWM Triac 1-10V	Al6063	PC	IP65



LED Linear Lights
Robust&dot free

- PWM
- IP67
- DALI
- RoHS
- DMX 512
- CE
- 1-10V
- Triac

YH-L251201



Features

Body composition AL solid extruded,anodized aluminum

Lens /

Diffuser Fully polyurethane encapsulation

IP rating IP67,for outdoor or wet location

Lighting Engine CREE/Osram/Epistar

Ambient Temp. -25°C~50°C

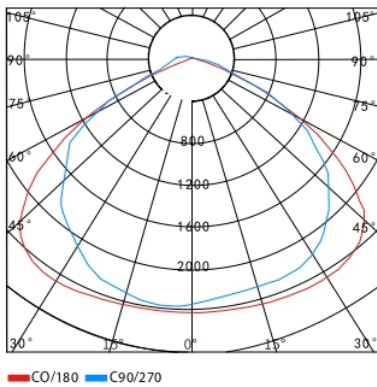
Accessories Surface mounted bracket kit

Wires Rubber 2X1mm²、3X1mm²、2X1+3X0.5mm²

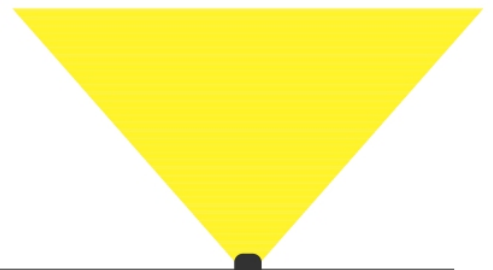
Working method on/off、DMX512、Triac、PWM、1-10V

Dimension(mm)

Typical Photometric



Light Throw



Model	Class	Input Volt	Watt	CCT	Beam Angle	LED Qty	Typical Lumen Data	IK Rated	SDCM	CRI
YH-L251201	Linear Lights	DC24V	640mm/6W 950mm/10W 1260mm/15W 1515mm/25W 1825mm/36W	2700K 3000K 4000K 5000K	120°	140led/m	@3000K/CRI 80 42~56lm/w 252lm/m/ 6w 425lm/m/10w 855lm/m/15w 1385lm/m/25w 2015lm/m/36w	Ik10	3	80

LED Spot Light Series



YH-T271101



DMX
512

IP66

PWM

RoHS

DALI

CE

1-10V

Triac

Features

Body composition ADC12! high density aluminum alloy, outdoor powder coated

Lens PMMA, Up to 90% efficiency

Diffuser 4mm tempered glass

IP rated IP66 for outdoor or wet location

Lighting Engine CREE/Osram/Epistar

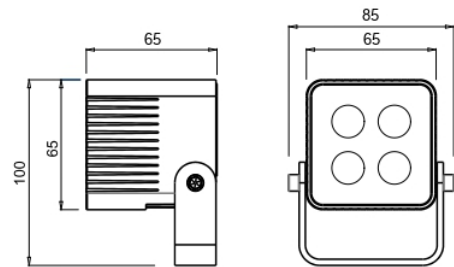
Ambient Temp. -20°C~45°C

Accessories Surface mounted bracket kit

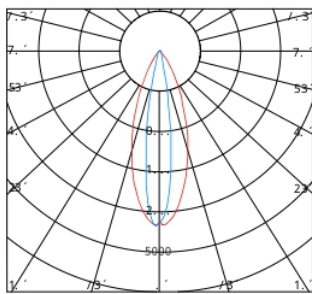
Wires Rubber 2X1mm²、3X1mm²、2X1+3X0.5mm²

Working method on/off、DMX512、Triac、PWM、1-10V

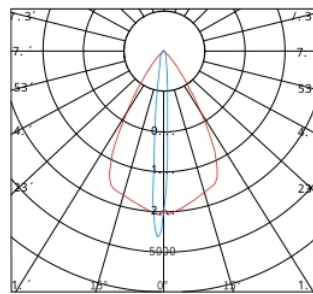
Dimension(mm)



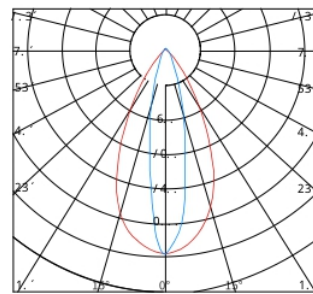
Typical Photometric



— AM / 6. — A7. -05.



— AM / 6. — A7. -05.



— AM / 6. — A7. -05.

Light Throw



Model	Class	Input Volt	Watt	CCT	Beam Angle	LED Qty	Working Method	Body Composition	Diffuser	IP
YH-T271101	Spot Light	DC24V AC220V	3W	3000K 4000K RGB RGBW	3°	1	On/Off DMX512 PWM Triac 1-10V	ADC12# AL	Tempered Glass	IP66
			6W		10°	4				
			8W		15°					
					30°					
					40°					
					60°					

LED Spot Light Series



YH-T271102



DMX
512

IP66

PWM

RoHS

DALI

CE

1-10V

Triac

Features

Body composition ADC12! high density aluminum alloy, outdoor powder coated

Lens PMMA, Up to 90% efficiency

Diffuser 4mm tempered glass

IP rated IP66 for outdoor or wet location

Lighting Engine CREE/Osram/Epistar

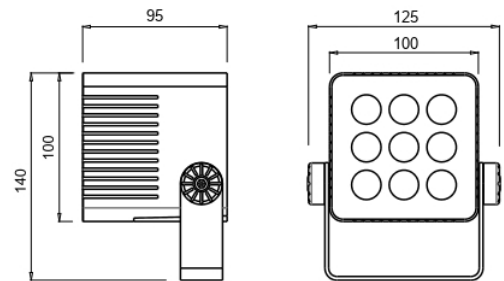
Ambient Temp. -20°C~45°C

Accessories Surface mounted bracket kit

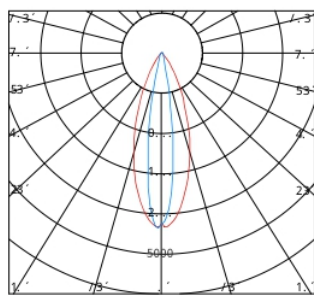
Wires Rubber 2X1mm²、3X1mm²、2X1+3X0.5mm²

Working method on/off、DMX512、Triac、PWM、1-10V

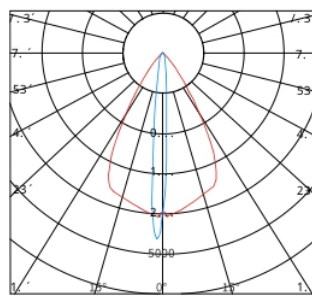
Dimension(mm)



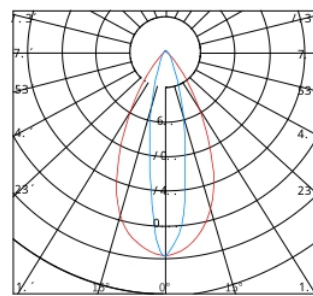
Typical Photometric



AM/6. A7.-05.



AM/6. A7.-05.



AM/6. A7.-05.

Light Throw

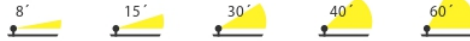


Model	Class	Input Volt	Watt	CCT	Beam Angle	LED Qty	Working Method	Body Composition	Diffuser	IP
YH-T271102	Spot Light	DC24V AC220V	8W	3000K 4000K RGB RGBW	3°	4	On/Off DMX512 PWM Triac 1-10V	ADC12# AL	Tempered Glass	IP66
			12W		10°	9				
			14W		15°					
					30°					
					60°					

LED Spot Light Series



YH-T601101



DMX
512

IP66

PWM

RoHS

DALI

CE

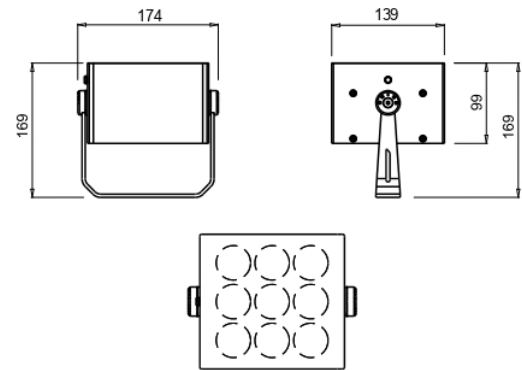
1-10V

Triac

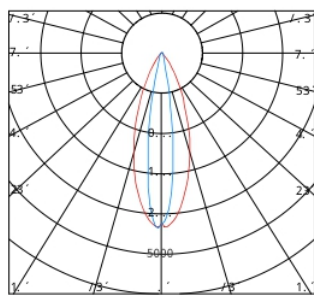
Features

- Body composition AL solid extruded ,anodized aluminum or outdoor powder coated,
- Lens PMMA,Up to 90% efficiency
- Diffuser 4mm tempered glass
- IP rated IP66 for outdoor or wet location
- Lighting Engine CREE/Osram/Epistar
- Ambient Temp. -20°C~45°C
- Accessories Surface mounted bracket kit
- Wires Rubber 2X1mm²、3X1mm²、2X1+3X0.5mm²
- Working method on/off、DMX512、 Triac、 PWM、 1-10V

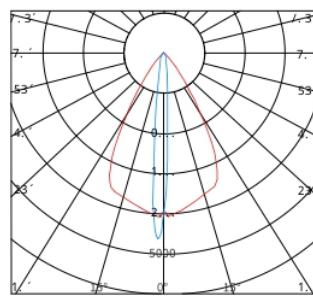
Dimension(mm)



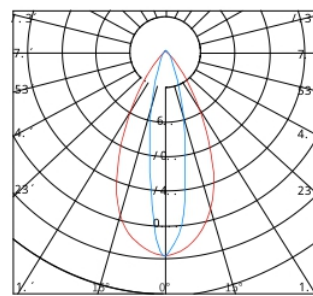
Typical Photometric



AM/6. A7.-05.



AM/6. A7.-05.



AM/6. A7.-05.

Light Throw



Model	Class	Input Volt	Watt	CCT	Beam Angle	LED Qty	Working Method	Body Composition	Diffuser	IP
YH-T601101	Spot Light	DC24V AC220V	18W 24W	3000K 4000K RGB RGBW	3° 10° 15° 30° 60°	9	On/Off DMX512 PWM Triac 1-10V	ADC12# AL	Tempered Glass	IP66

LED Spot Light Series



YH-T601111



DMX
512

IP66

PWM

RoHS

DALI

CE

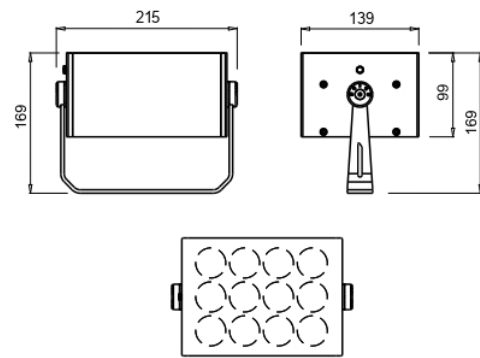
1-10V

Triac

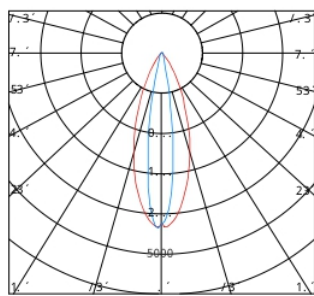
Features

- Body composition AL solid extruded ,anodized aluminum or outdoor powder coated,
- Lens PMMA,Up to 90% efficiency
- Diffuser 4mm tempered glass
- IP rated IP66 for outdoor or wet location
- Lighting Engine CREE/Osram/Epistar
- Ambient Temp. -20°C~45°C
- Accessories Surface mounted bracket kit
- Wires Rubber 2X1mm²、3X1mm²、2X1+3X0.5mm²
- Working method on/off、DMX512、 Triac、 PWM、 1-10V

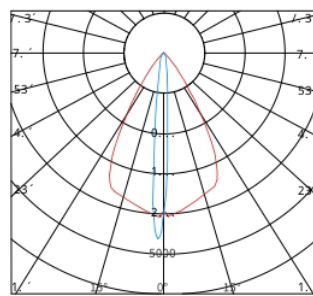
Dimension(mm)



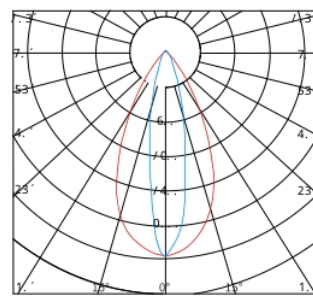
Typical Photometric



— AM / 6. — A7. -05.



— AM / 6. — A7. -05.



— AM / 6. — A7. -05.

Light Throw



Model	Class	Input Volt	Watt	CCT	Beam Angle	LED Qty	Working Method	Body Composition	Diffuser	IP
YH-T601111	Spot Light	DC24V AC220V	24W 36W	3000K 4000K RGB RGBW	3° 10° 15° 30° 60°	12	On/Off DMX512 PWM Triac 1-10V	ADC12# AL	Tempered Glass	IP66

LED Spot Light Series



YH-T601102



DMX
512

IP66

PWM

RoHS

DALI

CE

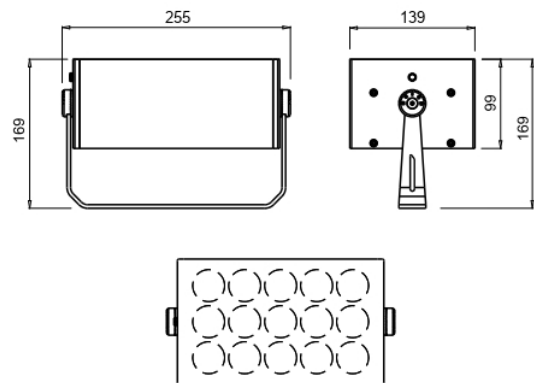
1-10V

Triac

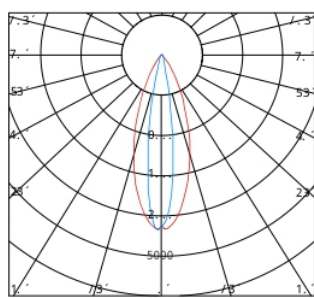
Features

- Body composition AL solid extruded ,anodized aluminum or outdoor powder coated,
- Lens PMMA,Up to 90% efficiency
- Diffuser 4mm tempered glass
- IP rated IP66 for outdoor or wet location
- Lighting Engine CREE/Osram/Epistar
- Ambient Temp. -20°C~45°C
- Accessories Surface mounted bracket kit
- Wires Rubber 2X1mm²、3X1mm²、2X1+3X0.5mm²
- Working method on/off、DMX512、Triac、PWM、1-10V

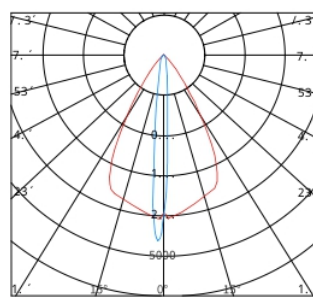
Dimension(mm)



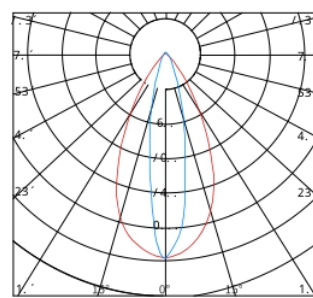
Typical Photometric



AM/6. A7.-05.



AM/6. A7.-05.



AM/6. A7.-05.

Light Throw



Model	Class	Input Volt	Watt	CCT	Beam Angle	LED Qty	Working Method	Body Composition	Diffuser	IP
YH-T601102	Spot Light	DC24V AC220V	36W 48W	3000K 4000K RGB RGBW	3° 10° 15° 30° 60°	15	On/Off DMX512 PWM Triac 1-10V	ADC12# AL	Tempered Glass	IP66

LED Spot Light Series



YH-T601103



DMX
512

IP66

PWM

RoHS

DALI

CE

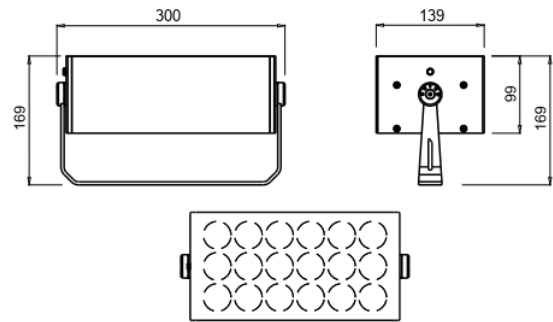
1-10V

Triac

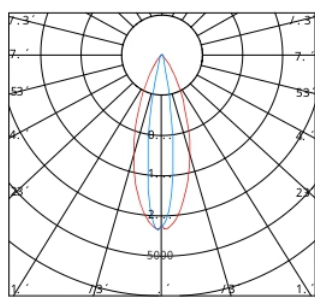
Features

- Body composition AL solid extruded ,anodized aluminum or outdoor powder coated,
- Lens PMMA,Up to 90% efficiency
- Diffuser 4mm tempered glass
- IP rated IP66 for outdoor or wet location
- Lighting Engine CREE/Osram/Epistar
- Ambient Temp. -20°C~45°C
- Accessories Surface mounted bracket kit
- Wires Rubber 2X1mm²、3X1mm²、2X1+3X0.5mm²
- Working method on/off、DMX512、Triac、PWM、1-10V

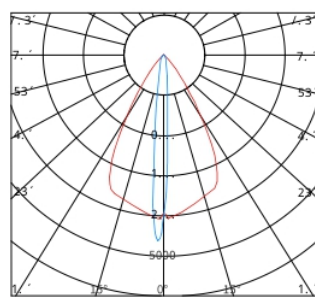
Dimension(mm)



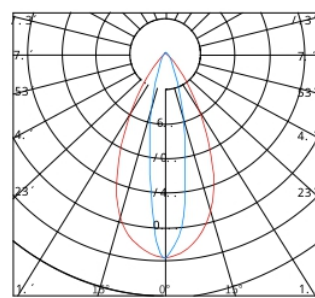
Typical Photometric



AM/6. A7.-05.



AM/6. A7.-05.



AM/6. A7.-05.

Light Throw



Model	Class	Input Volt	Watt	CCT	Beam Angle	LED Qty	Working Method	Body Composition	Diffuser	IP
YH-T601103	Spot Light	DC24V AC220V	48W 56W	3000K 4000K RGB RGBW	3° 10° 15° 30° 60°	18	On/Off DMX512 PWM Triac 1-10V	ADC12# AL	Tempered Glass	IP66

LED Spot Light Series



YH-T601104



DMX
512

IP66

PWM

RoHS

DALI

CE

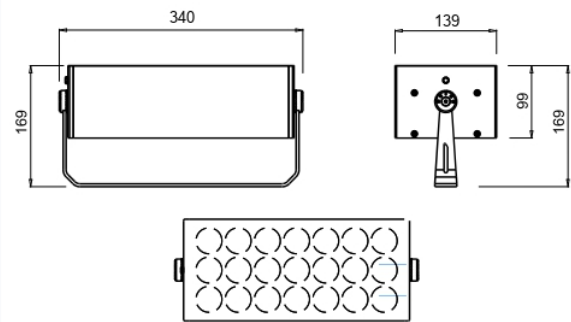
1-10V

Triac

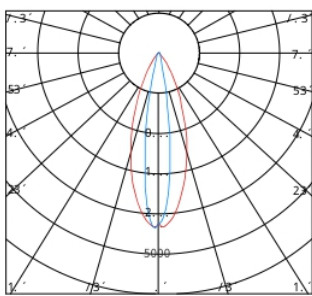
Features

- Body composition AL solid extruded ,anodized aluminum or outdoor powder coated,
- Lens PMMA,Up to 90% efficiency
- Diffuser 4mm tempered glass
- IP rated IP66 for outdoor or wet location
- Lighting Engine CREE/Osram/Epistar
- Ambient Temp. -20°C~45°C
- Accessories Surface mounted bracket kit
- Wires Rubber 2X1mm²、3X1mm²、2X1+3X0.5mm²
- Working method on/off、DMX512、Triac、PWM、1-10V

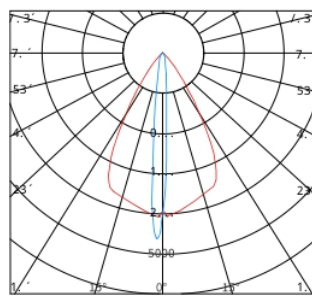
Dimension(mm)



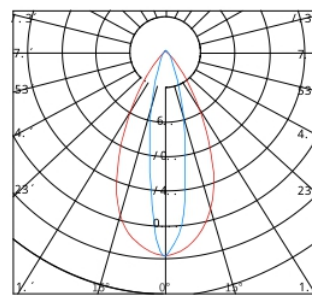
Typical Photometric



AM/6. A7.-05.



AM/6. A7.-05.



AM/6. A7.-05.

Light Throw

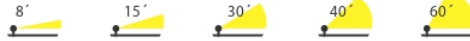


Model	Class	Input Volt	Watt	CCT	Beam Angle	LED Qty	Working Method	Body Composition	Diffuser	IP
YH-T601104	Spot Light	DC24V AC220V	3W 72W 86W	3000K 4000K RGB RGBW	3° 10° 15° 30° 60°	1 21	On/Off DMX512 PWM Triac 1-10V	ADC12# AL	Tempered Glass	IP66

LED Spot Light Series



YH-T271301



DMX
512

IP66

PWM

RoHS

DALI

CE

1-10V

Triac

Features

Body composition ADC12! high density aluminum alloy, outdoor powder coated

Lens PMMA, Up to 90% efficiency

Diffuser 4mm tempered glass

IP rated IP66 for outdoor or wet location

Lighting Engine CREE/Osram/Epistar

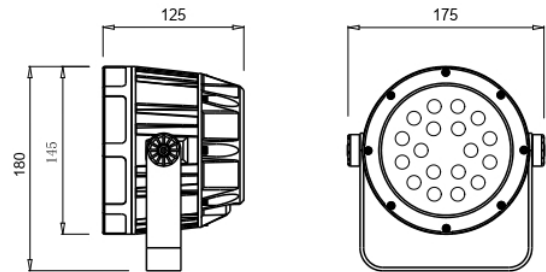
Ambient Temp. -20°C~45°C

Accessories Surface mounted bracket kit

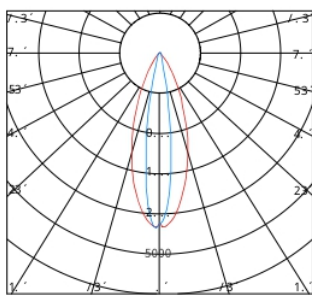
Wires Rubber 2X1mm²、3X1mm²、2X1+3X0.5mm²

Working method on/off、DMX512、Triac、PWM、1-10V

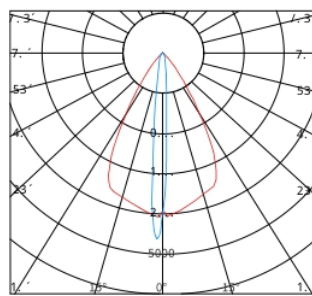
Dimension(mm)



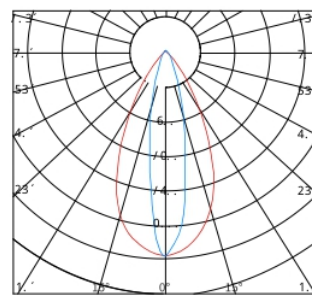
Typical Photometric



AM / 6. A7. -05.



AM / 6. A7. -05.



AM / 6. A7. -05.

Light Throw



Model	Class	Input Volt	Watt	CCT	Beam Angle	LED Qty	Working Method	Body Composition	Diffuser	IP
YH-T271301	Spot Light	DC24V AC220V	24W	3000K 4000K RGB RGBW	10° 15° 30° 60°	18	On/Off DMX512 PWM Triac 1-10V	ADC12# AL	Tempered Glass	IP66

LED Spot Light Series



YH-T271302



DMX
512

IP66

PWM

RoHS

DALI

CE

1-10V

Triac

Features

Body composition ADC12! high density aluminum alloy, outdoor powder coated

Lens PMMA, Up to 90% efficiency

Diffuser 4mm tempered glass

IP rated IP66 for outdoor or wet location

Lighting Engine CREE/Osram/Epistar

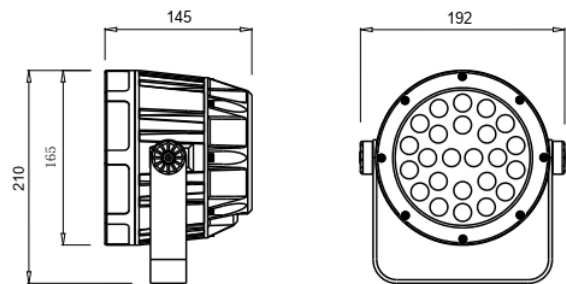
Ambient Temp. -20°C~45°C

Accessories Surface mounted bracket kit

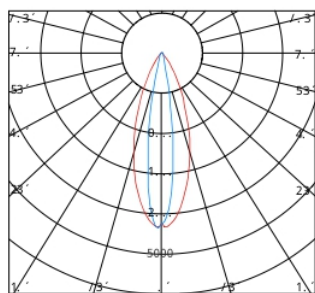
Wires Rubber 2X1mm²、3X1mm²、2X1+3X0.5mm²

Working method on/off、DMX512、Triac、PWM、1-10V

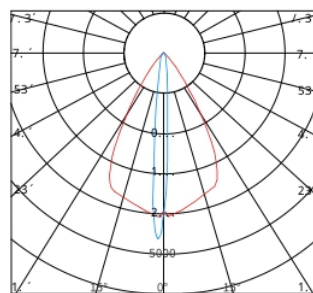
Dimension(mm)



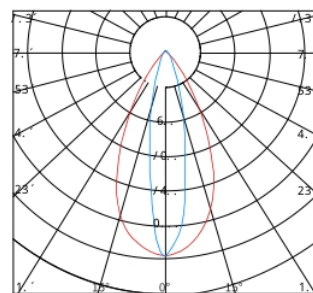
Typical Photometric



AM/6. A7.-05.



AM/6. A7.-05.



AM/6. A7.-05.

Light Throw



Model	Class	Input Volt	Watt	CCT	Beam Angle	LED Qty	Working Method	Body Composition	Diffuser	IP
YH-T271302	Spot Light	DC24V AC220V	36W	3000K 4000K RGB RGBW	10° 15° 30° 60°	24	On/Off DMX512 PWM Triac 1-10V	ADC12# AL	Tempered Glass	IP66

LED Spot Light Series



YH-T271303



DMX
512

IP66

PWM

RoHS

DALI

CE

1-10V

Triac

Features

Body composition ADC12! high density aluminum alloy, outdoor powder coated

Lens PMMA, Up to 90% efficiency

Diffuser 4mm tempered glass

IP rated IP66 for outdoor or wet location

Lighting Engine CREE/Osram/Epistar

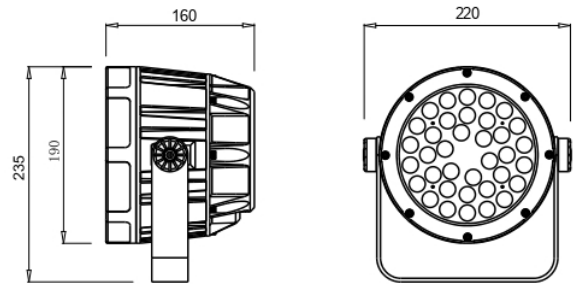
Ambient Temp. -20°C~45°C

Accessories Surface mounted bracket kit

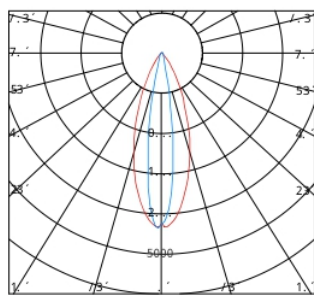
Wires Rubber 2X1mm²、3X1mm²、2X1+3X0.5mm²

Working method on/off、DMX512、Triac、PWM、1-10V

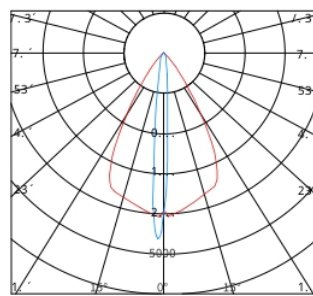
Dimension(mm)



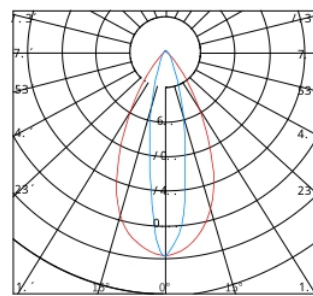
Typical Photometric



AM/6. A7.-05.



AM/6. A7.-05.



AM/6. A7.-05.

Light Throw



Model	Class	Input Volt	Watt	CCT	Beam Angle	LED Qty	Working Method	Body Composition	Diffuser	IP
YH-T271303	Spot Light	DC24V AC220V	48W 60W	3000K 4000K RGB RGBW	10° 15° 30° 60°	36	On/Off DMX512 PWM Triac 1-10V	ADC12# AL	Tempered Glass	IP66

Adjustable Beam Angle Landscape Spot Light



YH-T111011
15~60°

DMX
512

IP66

PWM

RoHS

DALI

CE

1-10V

Triac

Features

Body composition ADC12! high density aluminum alloy, outdoor powder coated

Lens PMMA, Up to 90% efficiency

Diffuser 4mm tempered glass

IP rated IP66 for outdoor or wet location

Lighting Engine CREE/Osram/Epistar

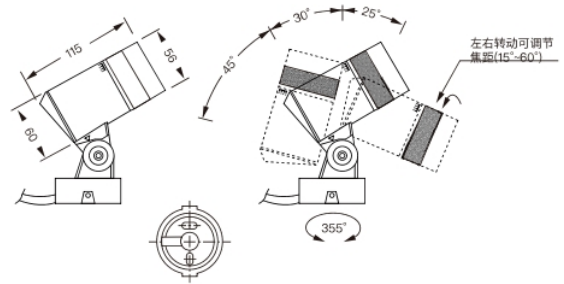
Ambient Temp. -20°C~45°C

Accessories Surface mounted bracket kit

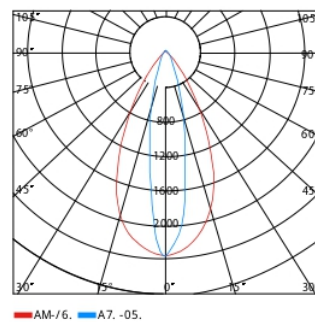
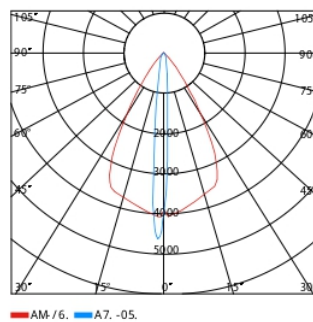
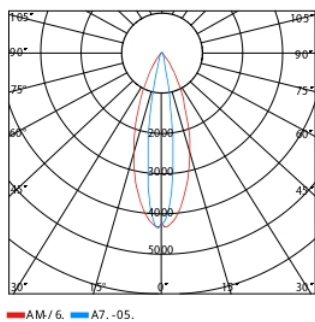
Wires Rubber 2X1mm²、3X1mm²、2X1+3X0.5mm²

Working method on/off、DMX512、Triac、PWM、1-10V

Dimension(mm)



Typical Photometric



Light Throw



Model	Class	Input Volt	Watt	CCT	Beam Angle	LED Qty	Working Method	Body Composition	Diffuser	IP
YH-T111011	Spot Light	DC24V AC220V	8W	3000K 4000K RGB RGBW	15~60°	1pcs	On/Off DMX512 PWM Triac 1-10V	ADC12# AL	Tempered Glass	IP66



Adjustable Beam Angle Landscape Spot Light

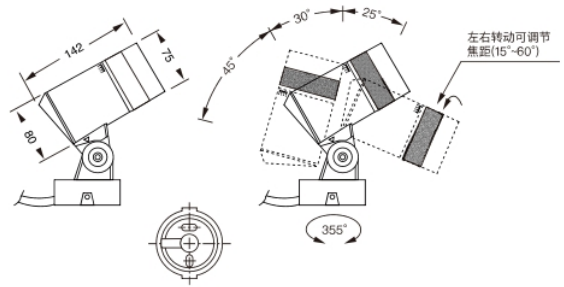
YH-T111012
/3|4.°

- DMX 512
- IP66
- PWM
- RoHS
- DALI
- CE
- 1-10V
- Triac

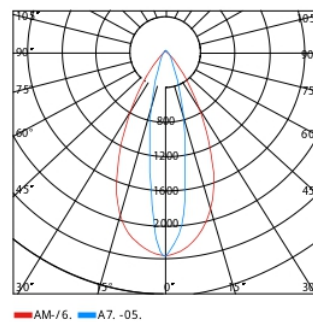
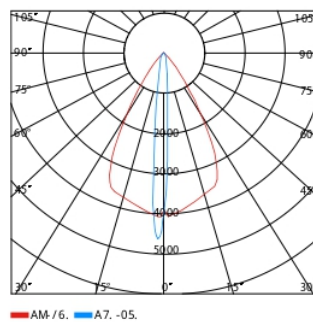
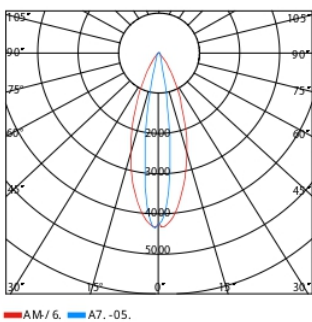
Features

- Body composition ADC12! high density aluminum alloy, outdoor powder coated
- Lens PMMA, Up to 90% efficiency
- Diffuser 4mm tempered glass
- IP rated IP66 for outdoor or wet location
- Lighting Engine CREE/Osram/Epistar
- Ambient Temp. -20°C~45°C
- Accessories Surface mounted bracket kit
- Wires Rubber 2X1mm²、3X1mm²、2X1+3X0.5mm²
- Working method on/off、DMX512、Triac、PWM、1-10V

Dimension(mm)



Typical Photometric



Light Throw



Model	Class	Input Volt	Watt	CCT	Beam Angle	LED Qty	Working Method	Body Composition	Diffuser	IP
YH-T111012	Spot Light	DC24V AC220V	15W	3000K 4000K RGB RGBW	15~60°	1pcs	On/Off DMX512 PWM Triac 1-10V	ADC12# AL	Tempered Glass	IP66



Adjustable Beam Angle Landscape Spot Light

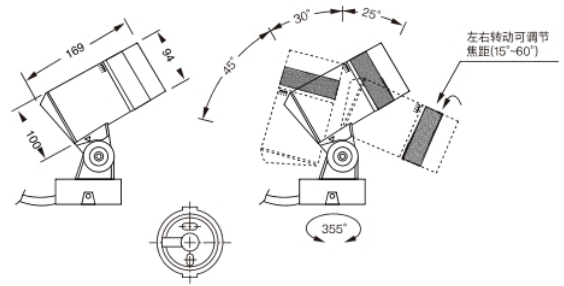
YH-T111013
/3|4.°

- DMX 512
- IP66
- PWM
- RoHS
- DALI
- CE
- 1-10V
- Triac

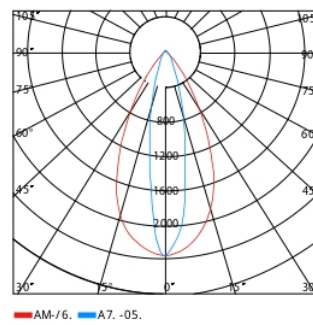
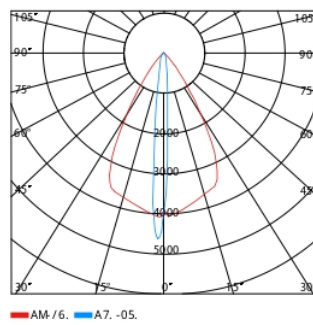
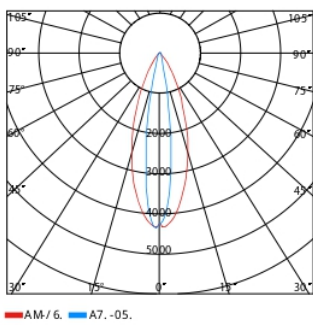
Features

- Body composition ADC12! high density aluminum alloy, outdoor powder coated
- Lens PMMA, Up to 90% efficiency
- Diffuser 4mm tempered glass
- IP rated IP66 for outdoor or wet location
- Lighting Engine CREE/Osram/Epistar
- Ambient Temp. -20°C~45°C
- Accessories Surface mounted bracket kit
- Wires Rubber 2X1mm²、3X1mm²、2X1+3X0.5mm²
- Working method on/off、DMX512、Triac、PWM、1-10V

Dimension(mm)



Typical Photometric



Light Throw



Model	Class	Input Volt	Watt	CCT	Beam Angle	LED Qty	Working Method	Body Composition	Diffuser	IP
YH-T111013	Spot Light	DC24V AC220V	25W	3000K 4000K RGB RGBW	15~60°	1pcs	On/Off DMX512 PWM Triac 1-10V	ADC12# AL	Tempered Glass	IP66



Adjustable Beam Angle Landscape Spot Light

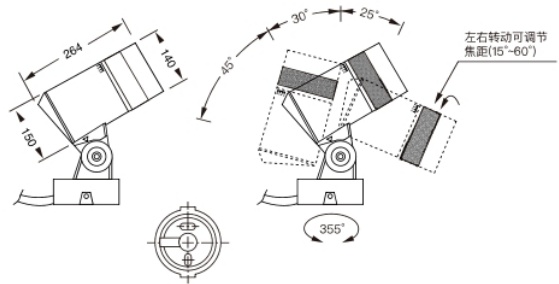
YH-T111014
/3|4.°

- DMX 512
- IP66
- PWM
- RoHS
- DALI
- CE
- 1-10V
- Triac

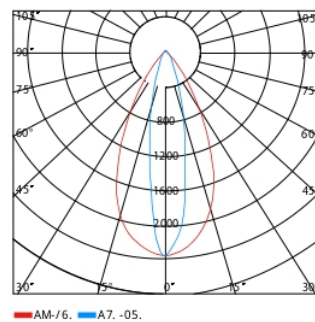
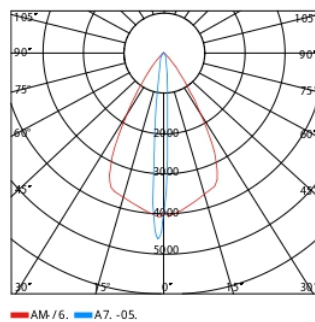
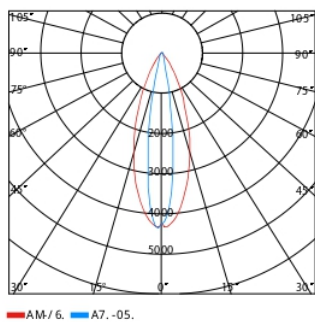
Features

- Body composition ADC12! high density aluminum alloy, outdoor powder coated
- Lens PMMA, Up to 90% efficiency
- Diffuser 4mm tempered glass
- IP rated IP66 for outdoor or wet location
- Lighting Engine CREE/Osram/Epistar
- Ambient Temp. -20°C~45°C
- Accessories Surface mounted bracket kit
- Wires Rubber 2X1mm²、3X1mm²、2X1+3X0.5mm²
- Working method on/off、DMX512、Triac、PWM、1-10V

Dimension(mm)



Typical Photometric



Light Throw



Model	Class	Input Volt	Watt	CCT	Beam Angle	LED Qty	Working Method	Body Composition	Diffuser	IP
YH-T111014	Spot Light	DC24V AC220V	45W	3000K 4000K RGB RGBW	15~60°	1pcs	On/Off DMX512 PWM Triac 1-10V	ADC12# AL	Tempered Glass	IP66



LED Landscape Spot Light

Left □YH-T111015A



Right □YH-T111015B



DMX
512

IP66

PWM

RoHS

DALI

CE

1-10V

Triac

Features

Body composition ADC12! high density aluminum alloy, outdoor powder coated

Lens PMMA, Up to 90% efficiency

Diffuser 4mm tempered glass

IP rated IP66 for outdoor or wet location

Lighting Engine CREE/Osram/Epistar

Ambient Temp. -20°C~45°C

Accessories Surface mounted bracket kit

Wires Rubber 2X1mm², 3X1mm², 2X1+3X0.5mm²

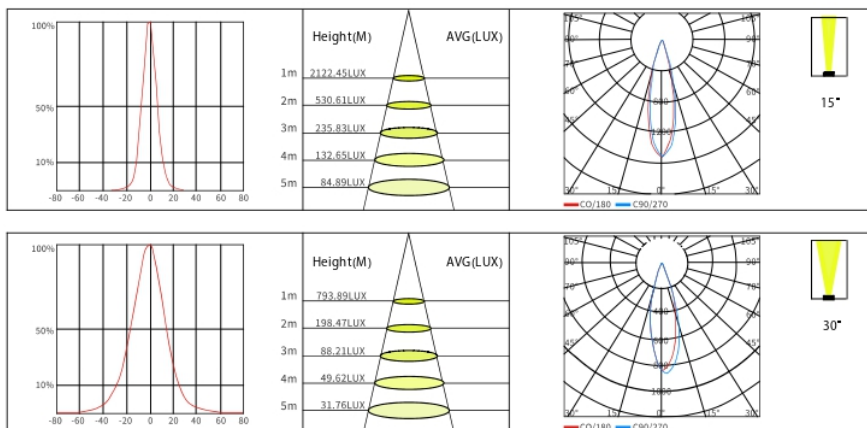
Working method on/off, DMX512, Triac, PWM, 1-10V

Dimension(mm)



Light Throw

Typical Photometric



Model	Class	Input Volt	Watt	CCT	Beam Angle	LED Qty	Working Method	Body Composition	Diffuser	IP
YH-T111015A	Spot Light	DC24V	9W	3000K	15°/20°/30°	3pcs	On/Off DMX512 PWM Triac 1-10V	ADC12# AL	Tempered Glass	IP66
		AC220V		4000K RGB RGBW	40°/60°					
YH-T111015B			8W		24°/36°/60°	1pcs				



LED Landscape Spot Light

Left □ YH-T111016A



Right □ YH-T111016B



DMX
512

IP66

PWM

RoHS

DALI

CE

1-10V

Triac

Features

Body composition ADC12! high density aluminum alloy, outdoor powder coated

Lens PMMA, Up to 90% efficiency

Diffuser 4mm tempered glass

IP rated IP66 for outdoor or wet location

Lighting Engine CREE/Osram/Epistar

Ambient Temp. -20°C~45°C

Accessories Surface mounted bracket kit

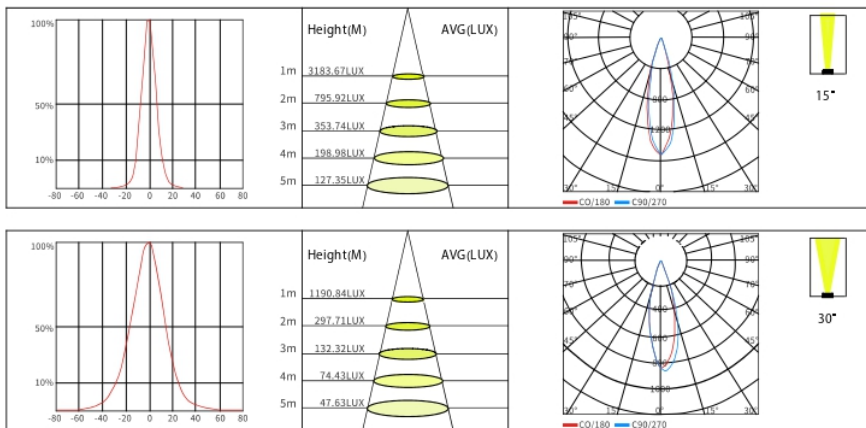
Wires Rubber 2X1mm², 3X1mm², 2X1+3X0.5mm²

Working method on/off, DMX512, Triac, PWM, 1-10V

Dimension(mm)



Typical Photometric



Light Throw



Model	Class	Input Volt	Watt	CCT	Beam Angle	LED Qty	Working Method	Body Composition	Diffuser	IP
YH-T111016A	Spot Light	DC24V	12W	3000K 4000K RGB RGBW	15°/20°/30°	4pcs	On/Off DMX512 PWM Triac 1-10V	ADC12# AL	Tempered Glass	IP66
YH-T111016B		AC220V			24°/36°/60°					



LED Landscape Spot Light

Left □ YH+T111017A



Right □ YH+T111017B



DMX
512

IP66

PWM

RoHS

DALI

CE

1-10V

Triac

Features

Body composition ADC12! high density aluminum alloy, outdoor powder coated

Lens PMMA, Up to 90% efficiency

Diffuser 4mm tempered glass

IP rated IP66 for outdoor or wet location

Lighting Engine CREE/Osram/Epistar

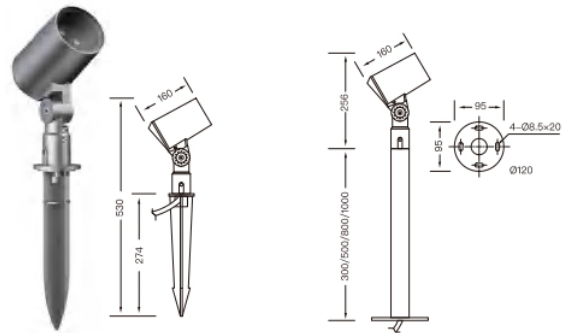
Ambient Temp. -20°C~45°C

Accessories Surface mounted bracket kit

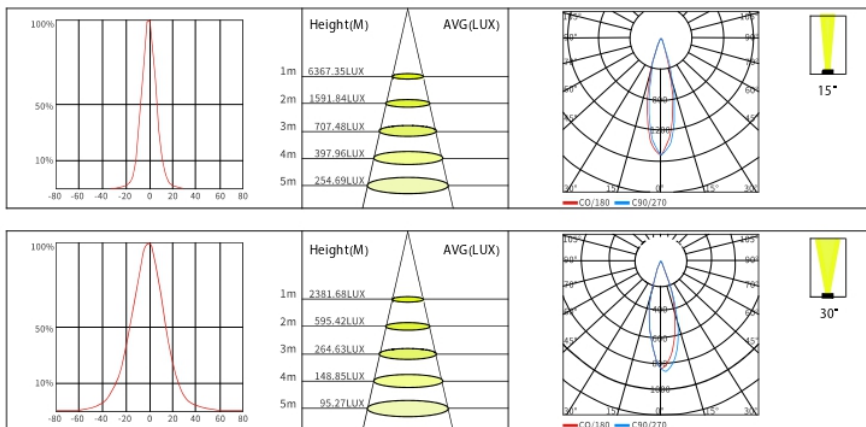
Wires Rubber 2X1mm², 3X1mm², 2X1+3X0.5mm²

Working method on/off, DMX512, Triac, PWM, 1-10V

Dimension(mm)



Typical Photometric



Light Throw



Model	Class	Input Volt	Watt	CCT	Beam Angle	LED Qty	Working Method	Body Composition	Diffuser	IP
YH-T111017A	Spot Light	DC24V	24W	3000K	15°/20°/30°	6pcs	On/Off	ADC12# AL	Tempered Glass	IP66
		AC220V		4000K	40°/60°		DMX512			
YH-T111017B			25W	RGB RGBW	24°/36°/60°	1pcs	PWM Triac 1-10V			



LED Landscape Spot Light

Left: YH-T111018A



Right: YH-T111018B



DMX
512

IP66

PWM

RoHS

DALI

CE

1-10V

Triac

Features

Body composition ADC12! high density aluminum alloy, outdoor powder coated

Lens PMMA, Up to 90% efficiency

Diffuser 4mm tempered glass

IP rated IP66 for outdoor or wet location

Lighting Engine CREE/Osram/Epistar

Ambient Temp. -20°C~45°C

Accessories Surface mounted bracket kit

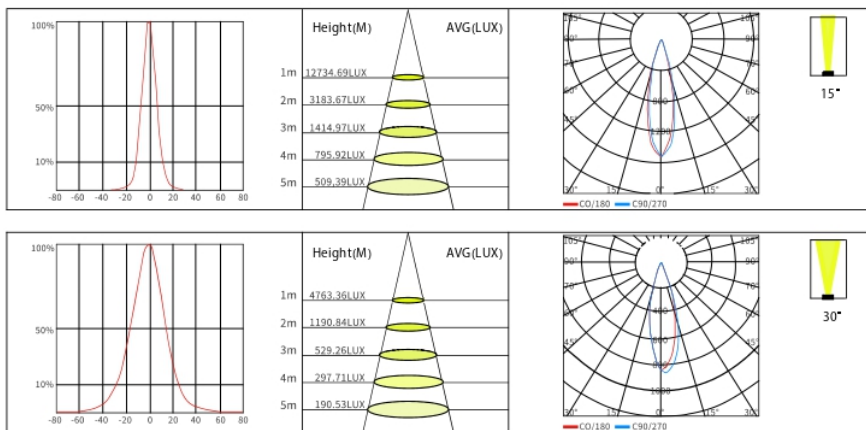
Wires Rubber 2X1mm²、3X1mm²、2X1+3X0.5mm²

Working method on/off、DMX512、Triac、PWM、1-10V

Dimension(mm)



Typical Photometric



Light Throw



Model	Class	Input Volt	Watt	CCT	Beam Angle	LED Qty	Working Method	Body Composition	Diffuser	IP
YH-T111018A	Spot Light	DC24V	48W	3000K	15°/20°/30°	12pcs	On/Off	ADC12#	Tempered Glass	IP66
		AC220V		4000K	40°/60°		DMX512			
YH-T111018B			50W	RGB RGBW	24°/36°/60°	1pcs	PWM Triac 1-10V			



LED Landscape Spot Light

Left: YH-T111019A



Right: YH-T111019B



DMX
512

IP66

PWM

RoHS

DALI

CE

1-10V

Triac

Features

Body composition ADC12! high density aluminum alloy, outdoor powder coated

Lens PMMA, Up to 90% efficiency

Diffuser 4mm tempered glass

IP rated IP66 for outdoor or wet location

Lighting Engine CREE/Osram/Epistar

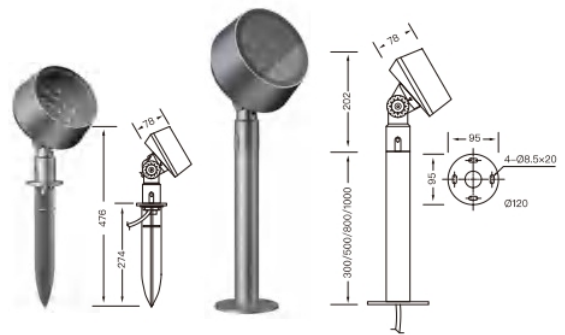
Ambient Temp. -20°C~45°C

Accessories Surface mounted bracket kit

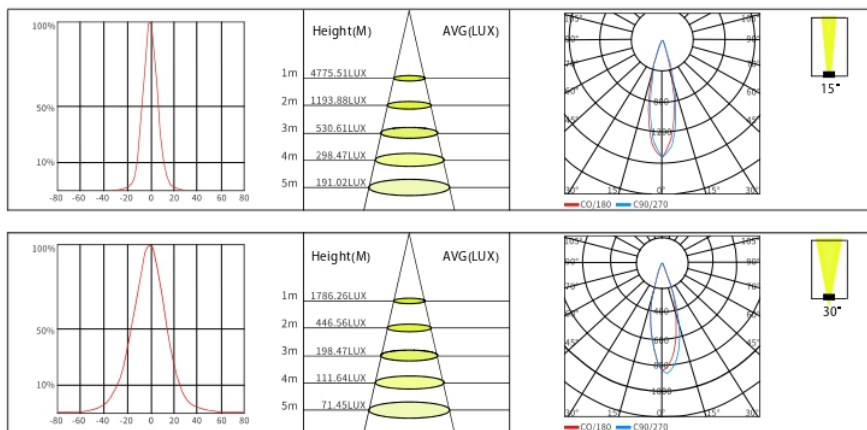
Wires Rubber 2X1mm², 3X1mm², 2X1+3X0.5mm²

Working method on/off, DMX512, Triac, PWM, 1-10V

Dimension(mm)



Typical Photometric



Light Throw



Model	Class	Input Volt	Watt	CCT	Beam Angle	LED Qty	Working Method	Body Composition	Diffuser	IP
YH-T111019A	Spot Light	DC24V	18W	3000K 4000K RGB RGBW	15°/20°/30°	6pcs	On/Off DMX512 PWM Triac 1-10V	ADC12# AL	Tempered Glass	IP66
YH-T111019B		AC220V			24°/36°/60°					



LED Landscape Spot Light

Left □ YH+T111020A



Right □ YH+T111020B

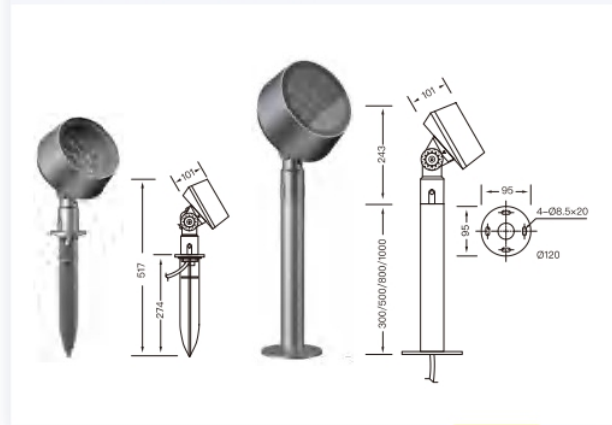


- DMX 512
- IP66
- PWM
- RoHS
- DALI
- CE
- 1-10V
- Triac

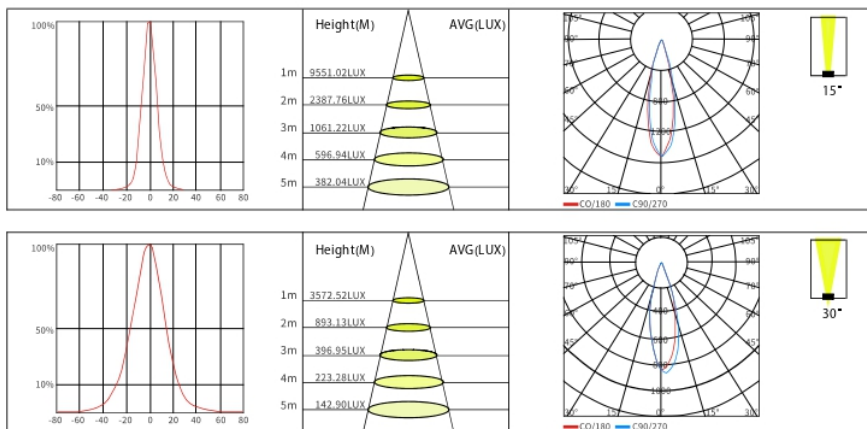
Features

- Body composition ADC12! high density aluminum alloy, outdoor powder coated
- Lens PMMA, Up to 90% efficiency
- Diffuser 4mm tempered glass
- IP rated IP66 for outdoor or wet location
- Lighting Engine CREE/Osram/Epistar
- Ambient Temp. -20°C~45°C
- Accessories Surface mounted bracket kit
- Wires Rubber 2X1mm²、3X1mm²、2X1+3X0.5mm²
- Working method on/off、DMX512、Triac、PWM、1-10V

Dimension(mm)



Typical Photometric



Light Throw

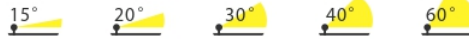


Model	Class	Input Volt	Watt	CCT	Beam Angle	LED Qty	Working Method	Body Composition	Diffuser	IP
YH-T111020A	Spot Light	DC24V	36W	3000K 4000K RGB RGBW	15°/20°/30°	12pcs	On/Off DMX512 PWM Triac 1-10V	ADC12# AL	Tempered Glass	IP66
YH-T111020B		AC220V			24°/36°/60°					



LED Landscape Spot Light

Left □ YH+T111021A



Right □ YH+T111021B



DMX
512

IP66

PWM

RoHS

DALI

CE

1-10V

Triac

Features

Body composition ADC12! high density aluminum alloy, outdoor powder coated

Lens PMMA, Up to 90% efficiency

Diffuser 4mm tempered glass

IP rated IP66 for outdoor or wet location

Lighting Engine CREE/Osram/Epistar

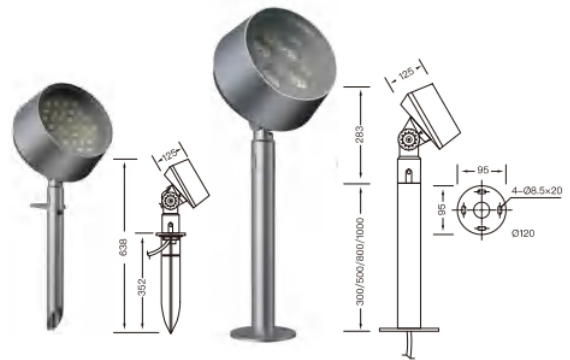
Ambient Temp. -20°C~45°C

Accessories Surface mounted bracket kit

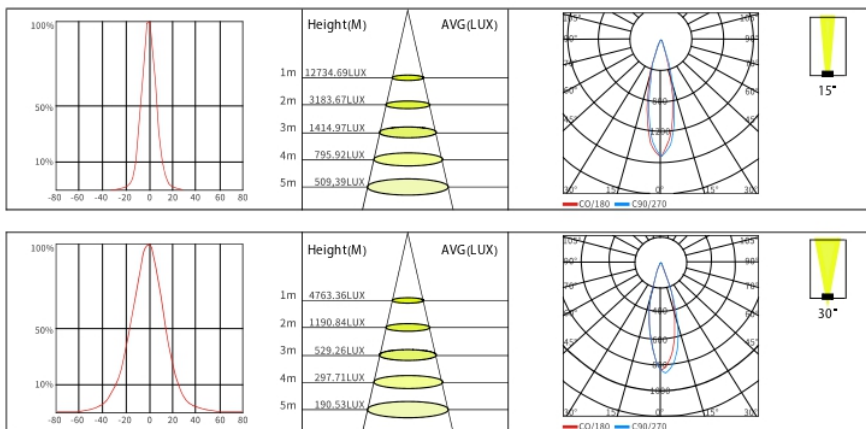
Wires Rubber 2X1mm², 3X1mm², 2X1+3X0.5mm²

Working method on/off, DMX512, Triac, PWM, 1-10V

Dimension(mm)



Typical Photometric



Light Throw



Model	Class	Input Volt	Watt	CCT	Beam Angle	LED Qty	Working Method	Body Composition	Diffuser	IP
YH-T111021A	Spot Light	DC24V	48W	3000K 4000K RGB RGBW	15°/20°/30°	24pcs	On/Off DMX512 PWM Triac 1-10V	ADC12# AL	Tempered Glass	IP66
YH-T111021B		AC220V			40W					



LED Landscape Spot Light

Left □ YH+T111022A



Right □ YH+T111022B



DMX
512

IP66

PWM

RoHS

DALI

CE

1-10V

Triac

Features

Body composition ADC12! high density aluminum alloy, outdoor powder coated

Lens PMMA, Up to 90% efficiency

Diffuser 4mm tempered glass

IP rated IP66 for outdoor or wet location

Lighting Engine CREE/Osram/Epistar

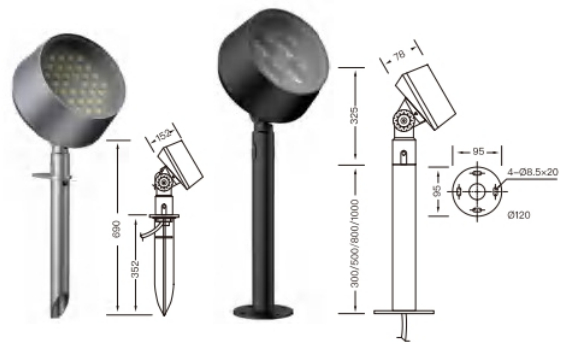
Ambient Temp. -20°C~45°C

Accessories Surface mounted bracket kit

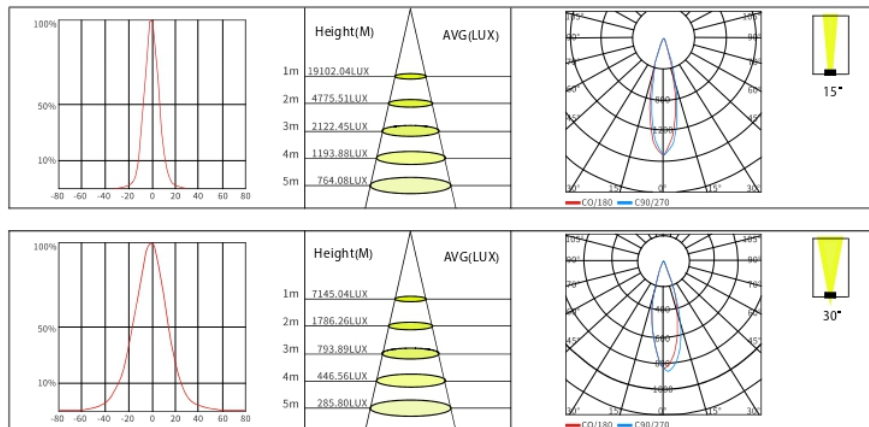
Wires Rubber 2X1mm², 3X1mm², 2X1+3X0.5mm²

Working method on/off, DMX512, Triac, PWM, 1-10V

Dimension(mm)



Typical Photometric



Light Throw



Model	Class	Input Volt	Watt	CCT	Beam Angle	LED Qty	Working Method	Body Composition	Diffuser	IP
YH-T111022A	Spot Light	DC24V	72W	3000K 4000K RGB RGBW	15°/20°/30°	36pcs	On/Off DMX512 PWM Triac 1-10V	ADC12# AL	Tempered Glass	IP66
YH-T111022B		AC220V			60W					



LED Landscape Spot Light

Left □YH-T111111A



Right □YH-T111111B



DMX
512

IP66

PWM

RoHS

DALI

CE

1-10V

Triac

Features

Body composition ADC12! high density aluminum alloy, outdoor powder coated

Lens PMMA, Up to 90% efficiency

Diffuser 4mm tempered glass

IP rated IP66 for outdoor or wet location

Lighting Engine CREE/Osram/Epistar

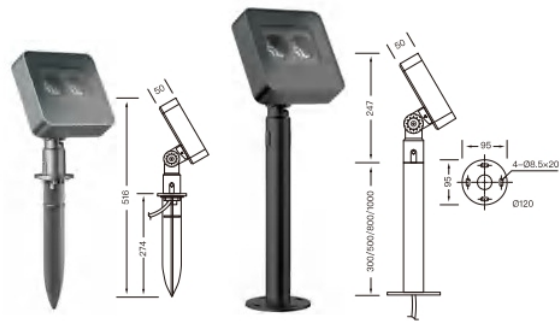
Ambient Temp. -20°C~45°C

Accessories Surface mounted bracket kit

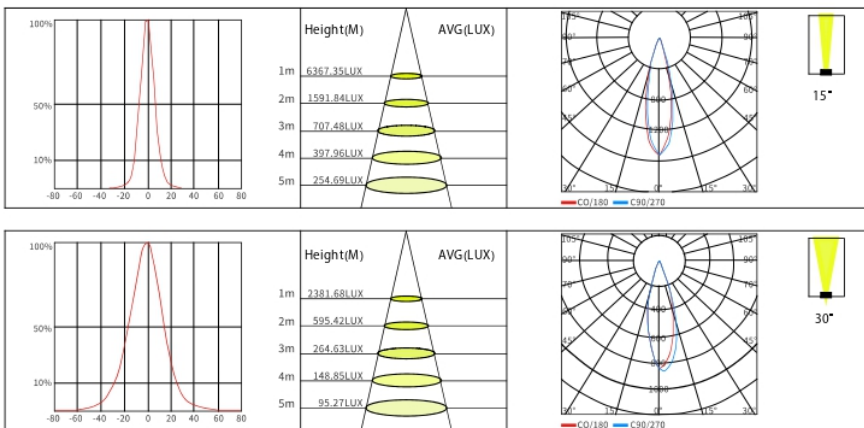
Wires Rubber 2X1mm²、3X1mm²、2X1+3X0.5mm²

Working method on/off、DMX512、Triac、PWM、1-10V

Dimension(mm)



Typical Photometric



Light Throw



Model	Class	Input Volt	Watt	CCT	Beam Angle	LED Qty	Working Method	Body Composition	Diffuser	IP
YH-T111111A	Spot Light	DC24V	24W	3000K	15°/20°/30°	12pcs	On/Off DMX512 PWM Triac 1-10V	ADC12# AL	Tempered Glass	IP66
		AC220V		4000K RGB RGBW	40°/60°					
YH-T111111B			24W		24°/36°/60°	2pcs				



LED Landscape Spot Light

Left □YH+T111112A



Right □YH+T111112B



DMX
512

IP66

PWM

RoHS

DALI

CE

1-10V

Triac

Features

Body composition ADC12! high density aluminum alloy, outdoor powder coated

Lens PMMA, Up to 90% efficiency

Diffuser 4mm tempered glass

IP rated IP66 for outdoor or wet location

Lighting Engine CREE/Osram/Epistar

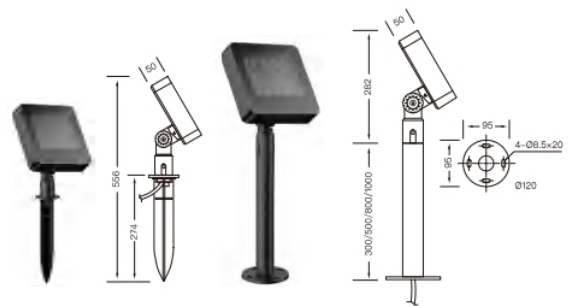
Ambient Temp. -20°C~45°C

Accessories Surface mounted bracket kit

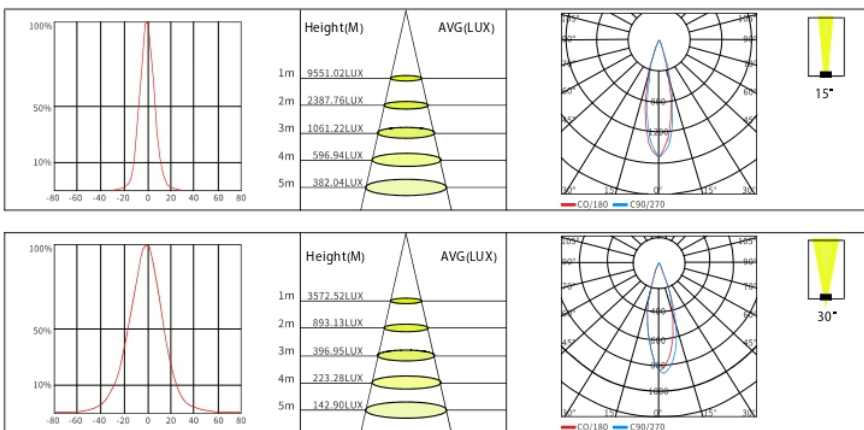
Wires Rubber 2X1mm²、3X1mm²、2X1+3X0.5mm²

Working method on/off、DMX512、Triac、PWM、1-10V

Dimension(mm)



Typical Photometric



Light Throw



Model	Class	Input Volt	Watt	CCT	Beam Angle	LED Qty	Working Method	Body Composition	Diffuser	IP
YH-T111112A	Spot Light	DC24V	36W	3000K 4000K RGB RGBW	15°/20°/30°	24pcs	On/Off DMX512 PWM Triac 1-10V	ADC12# AL	Tempered Glass	IP66
YH-T111112B		AC220V			24°/36°/60°					



LED Landscape Spot Light

Left □YH-T111113A



Right □YH-T111113B



DMX
512

IP66

PWM

RoHS

DALI

CE

1-10V

Triac

Features

Body composition ADC12! high density aluminum alloy, outdoor powder coated

Lens PMMA, Up to 90% efficiency

Diffuser 4mm tempered glass

IP rated IP66 for outdoor or wet location

Lighting Engine CREE/Osram/Epistar

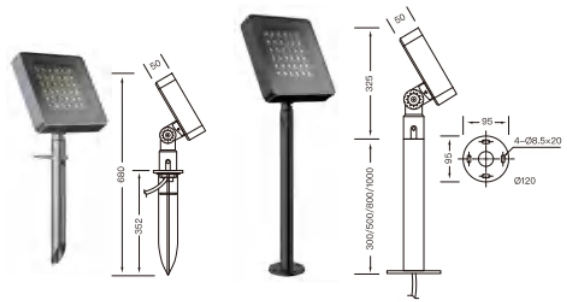
Ambient Temp. -20°C~45°C

Accessories Surface mounted bracket kit

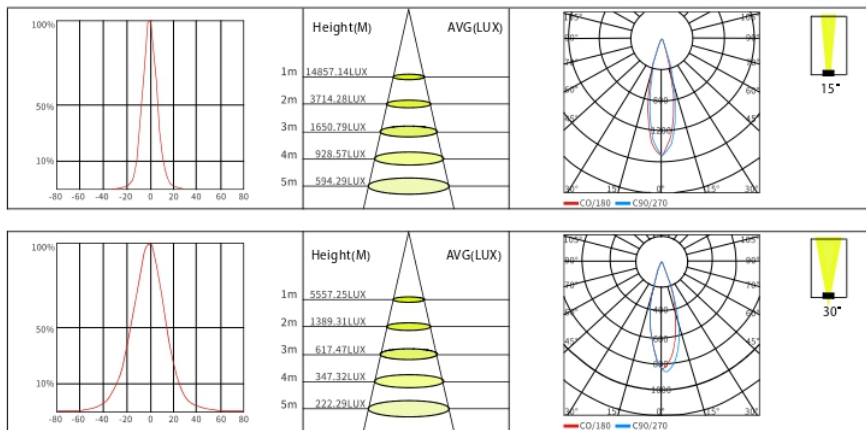
Wires Rubber 2X1mm²、3X1mm²、2X1+3X0.5mm²

Working method on/off、DMX512、Triac、PWM、1-10V

Dimension(mm)



Typical Photometric



Light Throw



Model	Class	Input Volt	Watt	CCT	Beam Angle	LED Qty	Working Method	Body Composition	Diffuser	IP
YH-T111113A	Spot Light	DC24V	56W	3000K	15°/20°/30° 40°/60°	36pcs	On/Off DMX512 PWM Triac 1-10V	ADC12# AL	Tempered Glass	IP66
YH-T111113B		AC220V		4000K RGB RGBW						



Beam Angle Adjustable Inground Light

- PWM
- IP67
- DALI
- RoHS
- DMX 512
- CE
- 1-10V
- Triac

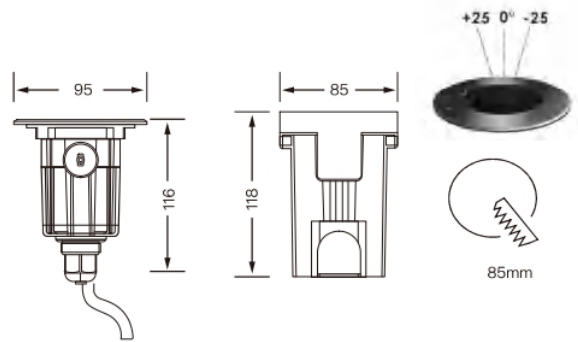
YH+D111211



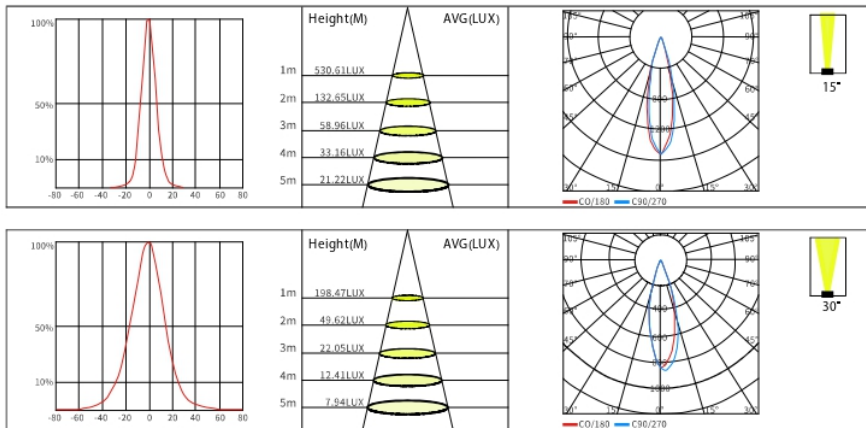
Features

- Body composition ADC12! high density aluminum alloy, outdoor powder coated
Hard chrome plated stainless steel SUS 316# for front cover
- Lens PMMA, Up to 90% efficiency
- Diffuser 8mm tempered glass
- IP rated IP67 for inground application
- Lighting Engine CREE/Osram/Epistar
- Ambient Temp. -20°C~45°C
- Accessories ABS mounting sleeve
- Wires Rubber 2X1mm²、3X1mm²、2X1+3X0.5mm²
- Working method on/off、DMX512、Triac、PWM、1-10V

Dimension(mm)



Typical Photometric



Light Throw

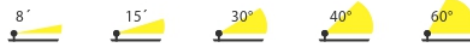


Model	Class	Input Volt	Watt	CCT	Beam Angle	LED Qty	Working Method	Body Composition	Diffuser	IP
YH-D111211	Linear Inground	DC24V AC220V	3W 4W	3000K 4000K RGB RGBW	8°/15°/30° 40°/60°	1pcs	On/Off DMX512 PWM Triac 1-10V	ADC12# AL	Tempered Glass	IP67



Beam Angle Adjustable Inground Light

YH+D111212

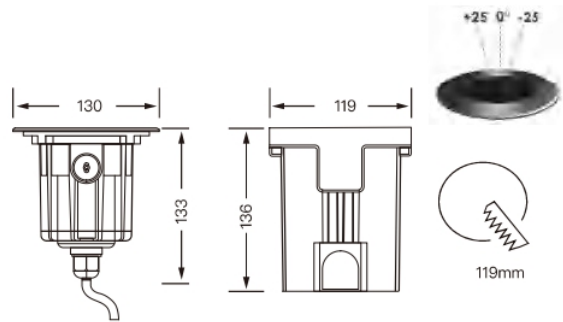


- PWM
- IP67
- DALI
- RoHS
- DMX 512
- CE
- 1-10V
- Triac

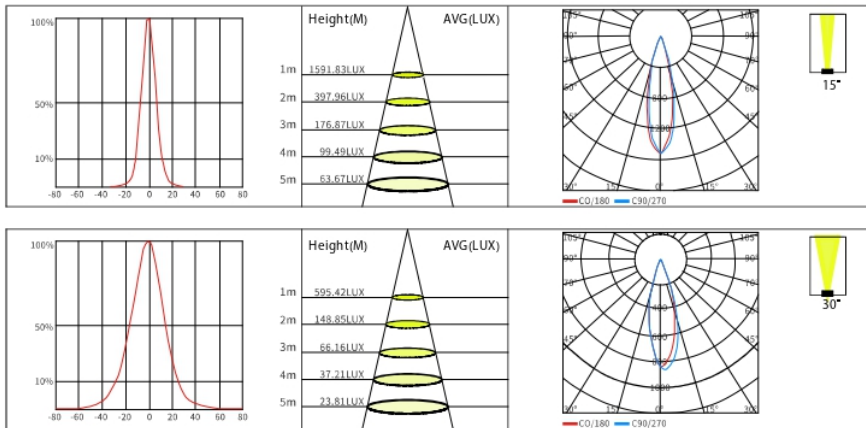
Features

- Body composition ADC12! high density aluminum alloy, outdoor powder coated
Hard chrome plated stainless steel SUS 316# for front cover
- Lens PMMA, Up to 90% efficiency
- Diffuser 8mm tempered glass
- IP rated IP67 for inground application
- Lighting Engine CREE/Osram/Epistar
- Ambient Temp. -20°C~45°C
- Accessories ABS mounting sleeve
- Wires Rubber 2X1mm², 3X1mm², 2X1+3X0.5mm²
- Working method on/off, DMX512, Triac, PWM, 1-10V

Dimension(mm)



Typical Photometric



Light Throw



Model	Class	Input Volt	Watt	CCT	Beam Angle	LED Qty	Working Method	Body Composition	Diffuser	IP
YH-D111212	Linear Inground	DC24V AC220V	6W 9W 12W	3000K 4000K RGB RGBW	8°/15°/30° 40°/60°	3pcs	On/Off DMX512 PWM Triac 1-10V	ADC12# AL	Tempered Glass	IP67



Beam Angle Adjustable Inground Light

YH+D111213

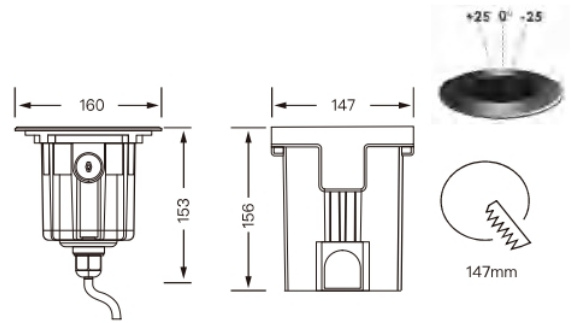


- PWM
- IP67
- DALI
- RoHS
- DMX 512
- CE
- 1-10V
- Triac

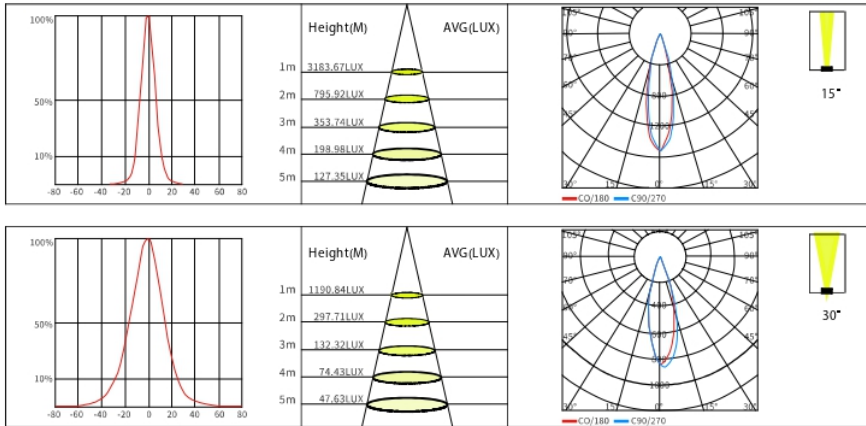
Features

- Body composition ADC12! high density aluminum alloy, outdoor powder coated
Hard chrome plated stainless steel SUS 316# for front cover
- Lens PMMA, Up to 90% efficiency
- Diffuser 8mm tempered glass
- IP rated IP67 for inground application
- Lighting Engine CREE/Osram/Epistar
- Ambient Temp. -20°C~45°C
- Accessories ABS mounting sleeve
- Wires Rubber 2X1mm²、3X1mm²、2X1+3X0.5mm²
- Working method on/off、DMX512、Triac、PWM、1-10V

Dimension(mm)



Typical Photometric



Light Throw



Model	Class	Input Volt	Watt	CCT	Beam Angle	LED Qty	Working Method	Body Composition	Diffuser	IP
YH-D111213	Linear Inground	DC24V AC220V	12W 18W 24W	3000K 4000K RGB RGBW	8°/15°/30° 40°/60°	6pcs	On/Off DMX512 PWM Triac 1-10V	ADC12# AL	Tempered Glass	IP67



Beam Angle Adjustable Inground Light

YH+D111214

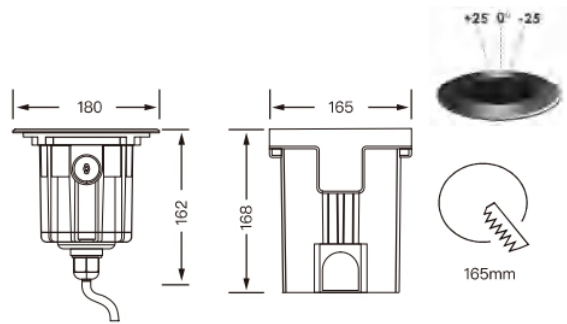


- PWM
- IP67
- DALI
- RoHS
- DMX 512
- CE
- 1-10V
- Triac

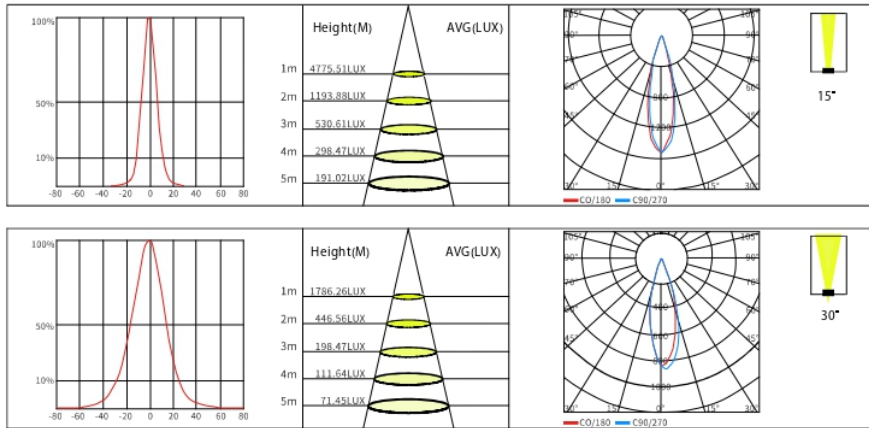
Features

- Body composition ADC12! high density aluminum alloy, outdoor powder coated
Hard chrome plated stainless steel SUS 316# for front cover
- Lens PMMA, Up to 90% efficiency
- Diffuser 8mm tempered glass
- IP rated IP67 for inground application
- Lighting Engine CREE/Osram/Epistar
- Ambient Temp. -20°C~45°C
- Accessories ABS mounting sleeve
- Wires Rubber 2X1mm², 3X1mm², 2X1+3X0.5mm²
- Working method on/off, DMX512, Triac, PWM, 1-10V

Dimension(mm)



Typical Photometric



Light Throw



Model	Class	Input Volt	Watt	CCT	Beam Angle	LED Qty	Working Method	Body Composition	Diffuser	IP
YH-D111214	Linear Inground	DC24V AC220V	18W 27W 36W	3000K 4000K RGB RGBW	8°/15°/30° 40°/60°	9pcs	On/Off DMX512 PWM Triac 1-10V	ADC12# AL	Tempered Glass	IP67



Beam Angle Adjustable Inground Light

YH+D111215



PWM

IP67

DALI

RoHS

DMX
512

CE

1-10V

Triac

Features

Body composition ADC12! high density aluminum alloy, outdoor powder coated
Hard chrome plated stainless steel SUS 316# for front cover

Lens PMMA, Up to 90% efficiency

Diffuser 8mm tempered glass

IP rated IP67 for inground application

Lighting Engine CREE/Osram/Epistar

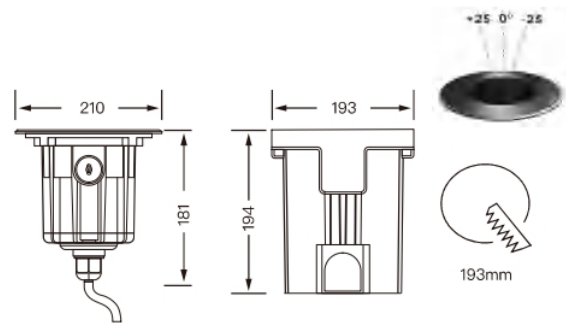
Ambient Temp. -20°C~45°C

Accessories ABS mounting sleeve

Wires Rubber 2X1mm²、3X1mm²、2X1+3X0.5mm²

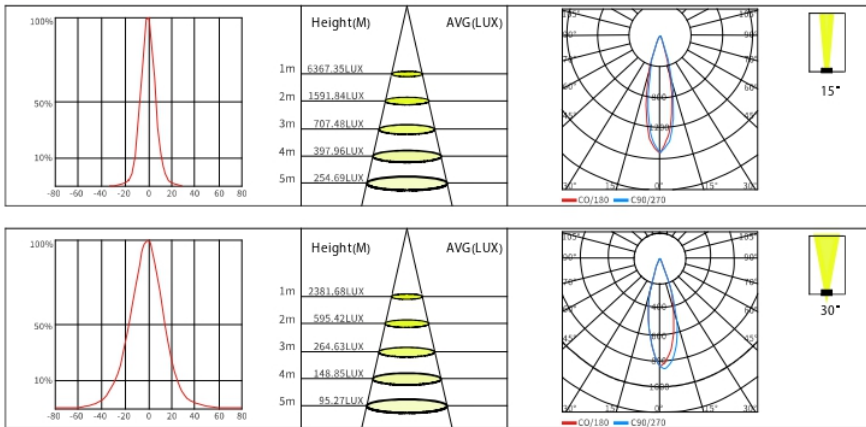
Working method on/off、DMX512、Triac、PWM、1-10V

Dimension(mm)



Light Throw

Typical Photometric



Model	Class	Input Volt	Watt	CCT	Beam Angle	LED Qty	Working Method	Body Composition	Diffuser	IP
YH-D111215	Linear Inground	DC24V AC220V	24W 36W 48W	3000K 4000K RGB RGBW	8°/15°/30° 40°/60°	12pcs	On/Off DMX512 PWM Triac 1-10V	ADC12# AL	Tempered Glass	IP67



Beam Angle Adjustable Inground Light

YH+D111216

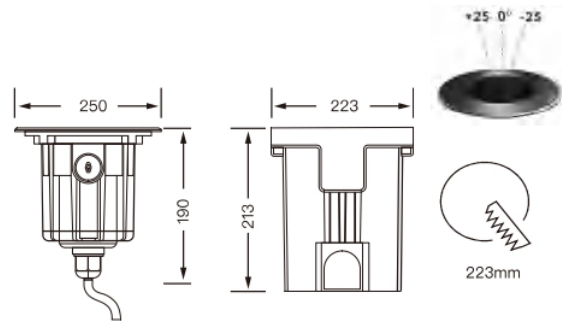


- PWM
- IP67
- DALI
- RoHS
- DMX 512
- CE
- 1-10V
- Triac

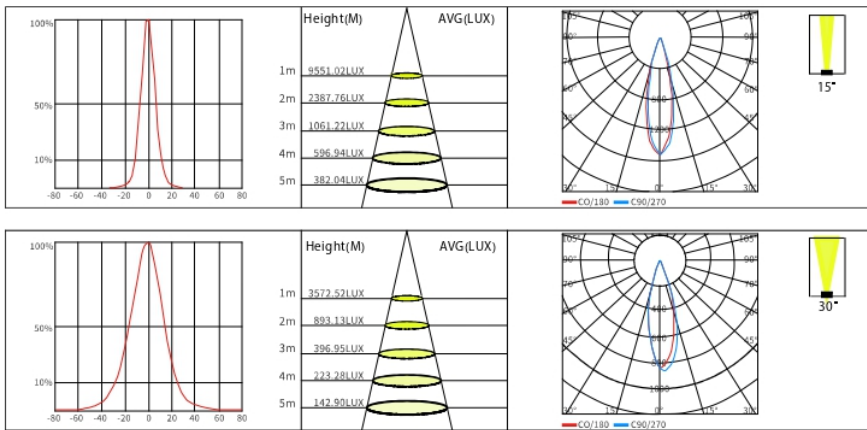
Features

- Body composition ADC12! high density aluminum alloy, outdoor powder coated
Hard chrome plated stainless steel SUS 316# for front cover
- Lens PMMA, Up to 90% efficiency
- Diffuser 8mm tempered glass
- IP rated IP67 for inground application
- Lighting Engine CREE/Osram/Epistar
- Ambient Temp. -20°C~45°C
- Accessories ABS mounting sleeve
- Wires Rubber 2X1mm²、3X1mm²、2X1+3X0.5mm²
- Working method on/off、DMX512、Triac、PWM、1-10V

Dimension(mm)



Typical Photometric



Light Throw



Model	Class	Input Volt	Watt	CCT	Beam Angle	LED Qty	Working Method	Body Composition	Diffuser	IP
YH-D111216	Linear Inground	DC24V AC220V	36W 54W 72W	3000K 4000K RGB RGBW	8°/15°/30° 40°/60°	18pcs	On/Off DMX512 PWM Triac 1-10V	ADC12# AL	Tempered Glass	IP67



Beam Angle Adjustable Inground Light

YH+D111312

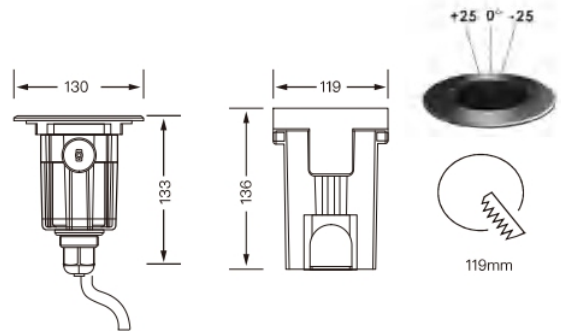


- PWM
- IP67
- DALI
- RoHS
- DMX 512
- CE
- 1-10V
- Triac

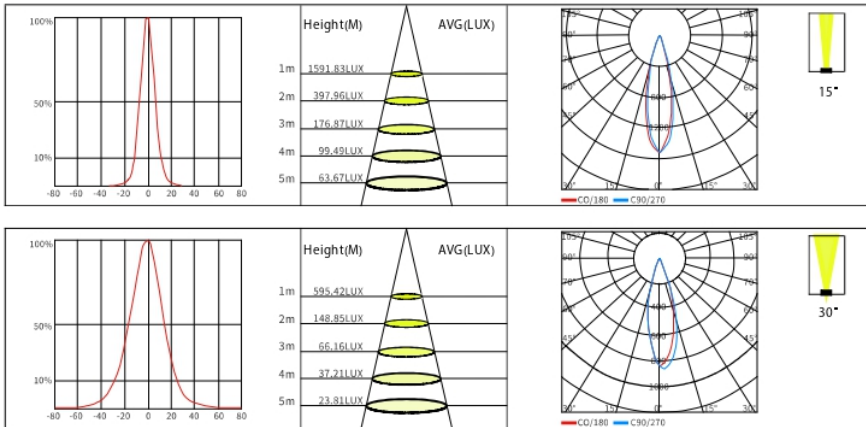
Features

- Body composition** ADC12! high density aluminum alloy, outdoor powder coated
Hard chrome plated stainless steel SUS 316# for front cover
- Lens** PMMA, Up to 90% efficiency
- Diffuser** 8mm tempered glass
- IP rated** IP67 for inground application
- Lighting Engine** CREE/Osram/Epistar
- Ambient Temp.** -20°C~45°C
- Accessories** ABS mounting sleeve
- Wires** Rubber 2X1mm²、3X1mm²、2X1+3X0.5mm²
- Working method** on/off、DMX512、Triac、PWM、1-10V

Dimension(mm)



Typical Photometric



Light Throw

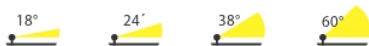


Model	Class	Input Volt	Watt	CCT	Beam Angle	LED Qty	Working Method	Body Composition	Diffuser	IP
YH-D111312	Linear Inground	DC24V AC220V	10W	3000K 4000K	18°/24°/38° 60°	1pcs	On/Off DMX512 PWM Triac 1-10V	ADC12# AL	Tempered Glass	IP67



Beam Angle Adjustable Inground Light

YH+D111313

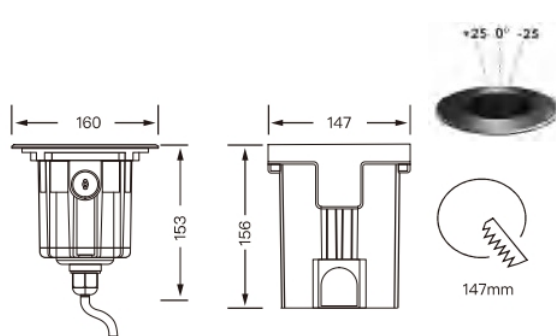


- PWM
- IP67
- DALI
- RoHS
- DMX 512
- CE
- 1-10V
- Triac

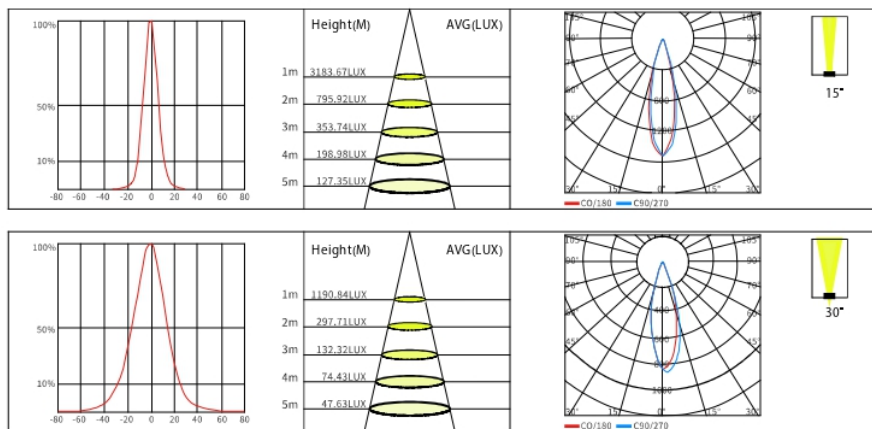
Features

- Body composition ADC12! high density aluminum alloy, outdoor powder coated
Hard chrome plated stainless steel SUS 316# for front cover
- Lens PMMA, Up to 90% efficiency
- Diffuser 8mm tempered glass
- IP rated IP67 for inground application
- Lighting Engine CREE/Osram/Epistar
- Ambient Temp. -20°C~45°C
- Accessories ABS mounting sleeve
- Wires Rubber 2X1mm², 3X1mm², 2X1+3X0.5mm²
- Working method on/off, DMX512, Triac, PWM, 1-10V

Dimension(mm)



Typical Photometric



Light Throw



Model	Class	Input Volt	Watt	CCT	Beam Angle	LED Qty	Working Method	Body Composition	Diffuser	IP
YH-D111313	Linear Inground	DC24V AC220V	15W	3000K 4000K	18°/24°/38° 60°	1pcs	On/Off DMX512 PWM Triac 1-10V	ADC12# AL	Tempered Glass	IP67



Beam Angle Adjustable Inground Light

YH+D111313

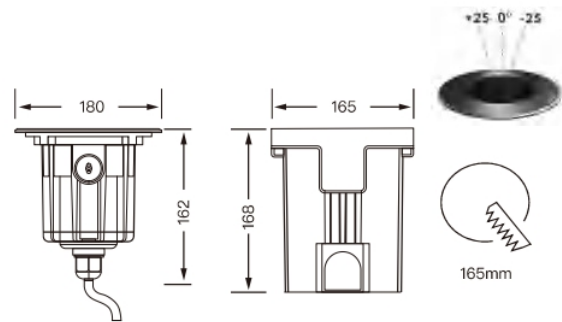


- PWM
- IP67
- DALI
- RoHS
- DMX 512
- CE
- 1-10V
- Triac

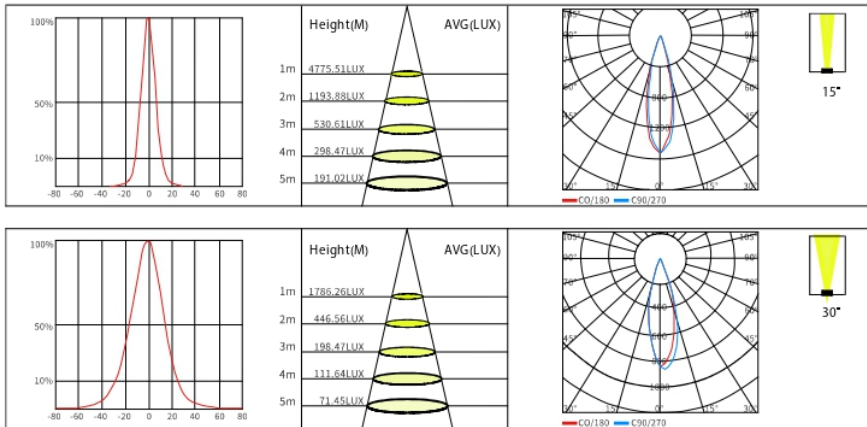
Features

- Body composition** ADC12! high density aluminum alloy, outdoor powder coated
Hard chrome plated stainless steel SUS 316# for front cover
- Lens** PMMA, Up to 90% efficiency
- Diffuser** 8mm tempered glass
- IP rated** IP67 for inground application
- Lighting Engine** CREE/Osram/Epistar
- Ambient Temp.** -20°C~45°C
- Accessories** ABS mounting sleeve
- Wires** Rubber 2X1mm²、3X1mm²、2X1+3X0.5mm²
- Working method** on/off、DMX512、Triac、PWM、1-10V

Dimension(mm)



Typical Photometric



Light Throw



Model	Class	Input Volt	Watt	CCT	Beam Angle	LED Qty	Working Method	Body Composition	Diffuser	IP
YH-D111314	Linear Inground	DC24V AC220V	20W	3000K 4000K	18°/24°/38° 60°	1pcs	On/Off DMX512 PWM Triac 1-10V	ADC12# AL	Tempered Glass	IP67



Beam Angle Adjustable Inground Light

YH+D111315



PWM

IP67

DALI

RoHS

DMX
512



1-10V

Triac

Features

Body composition ADC12! high density aluminum alloy, outdoor powder coated
Hard chrome plated stainless steel SUS 316# for front cover

Lens PMMA, Up to 90% efficiency

Diffuser 8mm tempered glass

IP rated IP67 for inground application

Lighting Engine CREE/Osram/Epistar

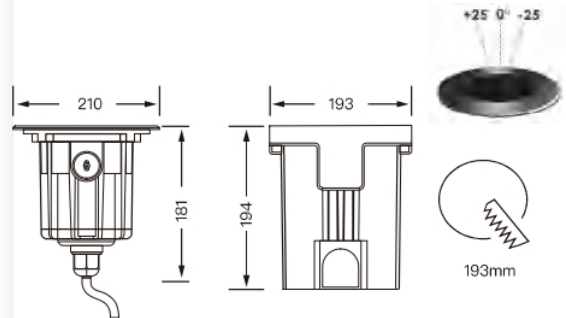
Ambient Temp. -20°C~45°C

Accessories ABS mounting sleeve

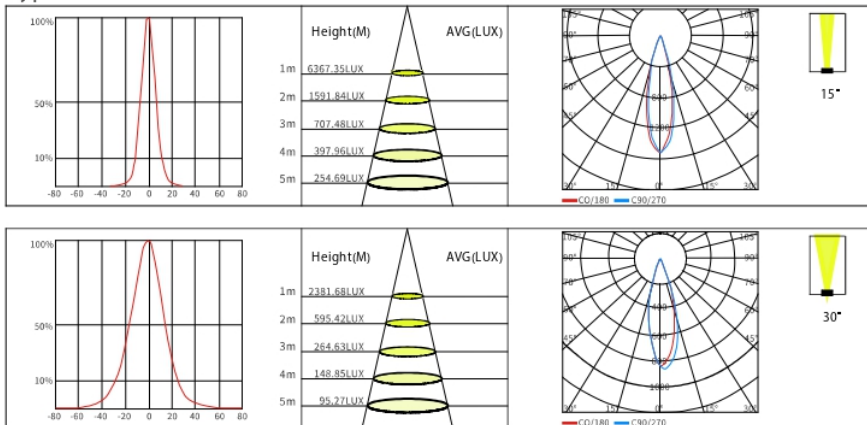
Wires Rubber 2X1mm²、3X1mm²、2X1+3X0.5mm²

Working method on/off、DMX512、Triac、PWM、1-10V

Dimension(mm)



Typical Photometric



Light Throw



Model	Class	Input Volt	Watt	CCT	Beam Angle	LED Qty	Working Method	Body Composition	Diffuser	IP
YH-D111315	Linear Inground	DC24V AC220V	25W	3000K 4000K	18°/24°/38° 60°	1pcs	On/Off DMX512 PWM Triac 1-10V	ADC12# AL	Tempered Glass	IP67



Beam Angle Adjustable Inground Light

YH+D111316

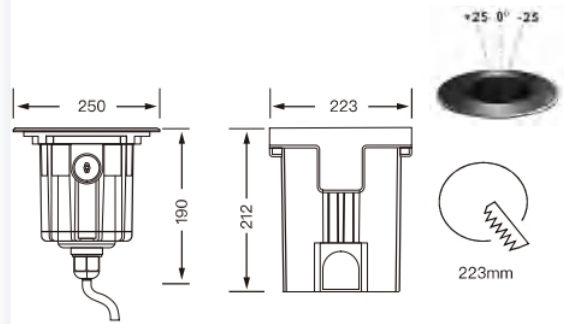


- PWM
- IP67
- DALI
- RoHS
- DMX 512
- CE
- 1-10V
- Triac

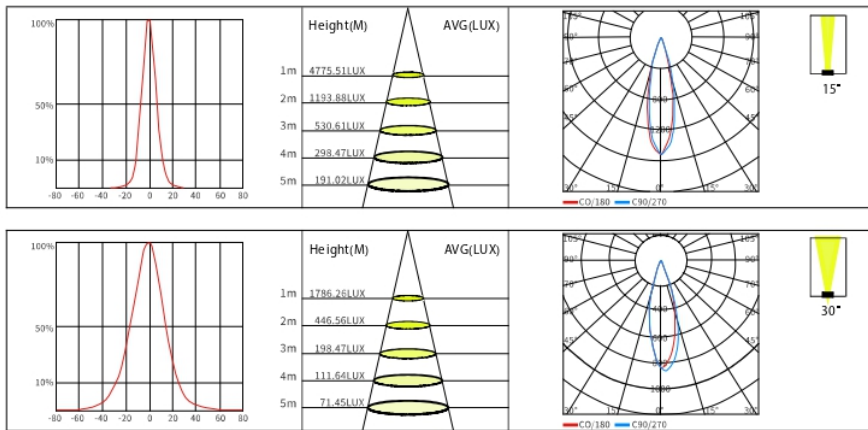
Features

- Body composition** ADC12! high density aluminum alloy, outdoor powder coated
Hard chrome plated stainless steel SUS 316# for front cover
- Lens** PMMA, Up to 90% efficiency
- Diffuser** 8mm tempered glass
- IP rated** IP67 for inground application
- Lighting Engine** CREE/Osram/Epistar
- Ambient Temp.** -20°C~45°C
- Accessories** ABS mounting sleeve
- Wires** Rubber 2X1mm²、3X1mm²、2X1+3X0.5mm²
- Working method** on/off、DMX512、Triac、PWM、1-10V

Dimension(mm)



Typical Photometric



Light Throw

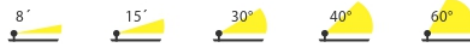


Model	Class	Input Volt	Watt	CCT	Beam Angle	LED Qty	Working Method	Body Composition	Diffuser	IP
YH-D111316	Linear Inground	DC24V AC220V	40W	3000K 4000K	18°/24°/38° 60°	1pcs	On/Off DMX512 PWM Triac 1-10V	ADC12# AL	Tempered Glass	IP67



Anti-glare Inground Light

YH+D111411

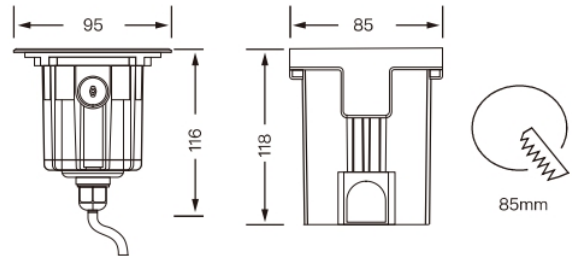


- PWM
- IP67
- DALI
- RoHS
- DMX 512
- CE
- 1-10V
- Triac

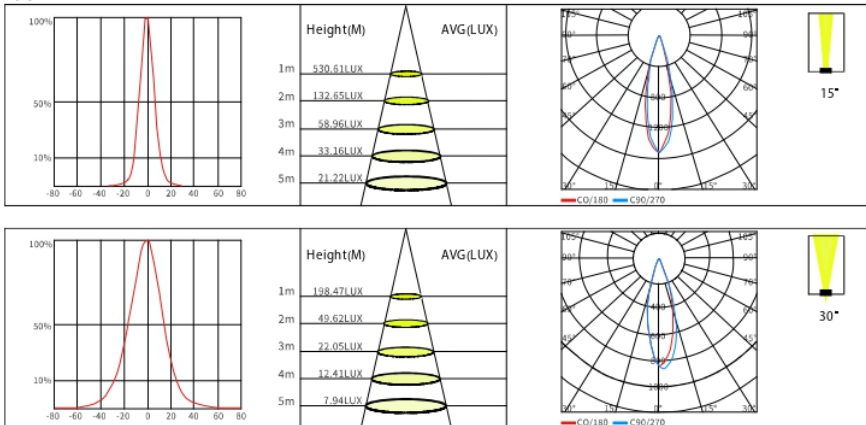
Features

- Body composition ADC12! high density aluminum alloy, outdoor powder coated
Hard chromeplated stainless steel SUS 316# for front cover
- Lens PMMA, Up to 90% efficiency
- Diffuser 8mm tempered glass
- IP rated IP67 for inground application
- Lighting Engine CREE/Osram/Epistar
- Ambient Temp. -20°C~45°C
- Accessories ABS mounting sleeve
- Wires Rubber 2X1mm²、3X1mm²、2X1+3X0.5mm²
- Working method on/off、DMX512、Triac、PWM、1-10V

Dimension(mm)



Typical Photometric



Light Throw

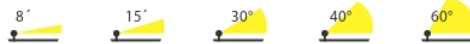


Model	Class	Input Volt	Watt	CCT	Beam Angle	LED Qty	Working Method	Body Composition	Diffuser	IP
YH-D111411	Linear Inground	DC24V AC220V	2.5W 3W 4W	3000K 4000K RGB RGBW	8°/15°/30° 40°/60°	1pcs	On/Off DMX512 PWM Triac 1-10V	ADC12# AL	Tempered Glass	IP67



Anti-glare Inground Light

YH+D111412

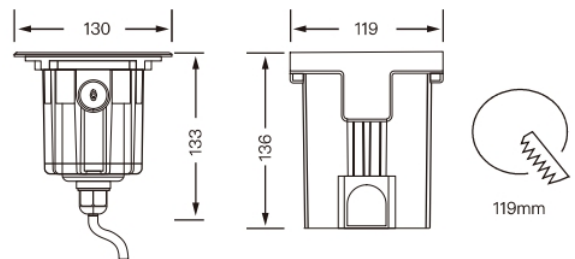


- PWM
- IP67
- DALI
- RoHS
- DMX 512
- CE
- 1-10V
- Triac

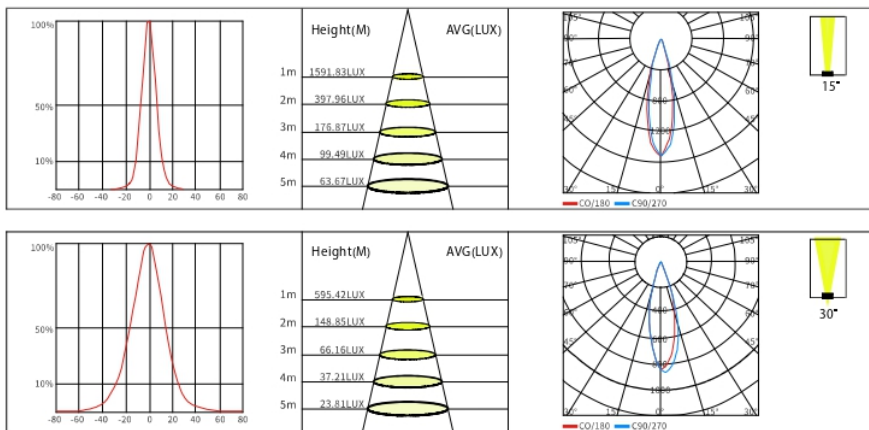
Features

- Body composition** ADC12! high density aluminum alloy, outdoor powder coated
Hard chrome plated stainless steel SUS 316# for front cover
- Lens** PMMA, Up to 90% efficiency
- Diffuser** 8mm tempered glass
- IP rated** IP67 for inground application
- Lighting Engine** CREE/Osram/Epistar
- Ambient Temp.** -20°C~45°C
- Accessories** ABS mounting sleeve
- Wires** Rubber 2X1mm²、3X1mm²、2X1+3X0.5mm²
- Working method** on/off、DMX512、Triac、PWM、1-10V

Dimension(mm)



Typical Photometric



Light Throw

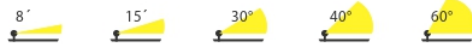


Model	Class	Input Volt	Watt	CCT	Beam Angle	LED Qty	Working Method	Body Composition	Diffuser	IP
YH-D111412	Linear Inground	DC24V AC220V	6W 9W 12W	3000K 4000K RGB RGBW	8°/15°/30° 40°/60°	3pcs	On/Off DMX512 PWM Triac 1-10V	ADC12# AL	Tempered Glass	IP67



Anti-glare Inground Light

YH+D111413

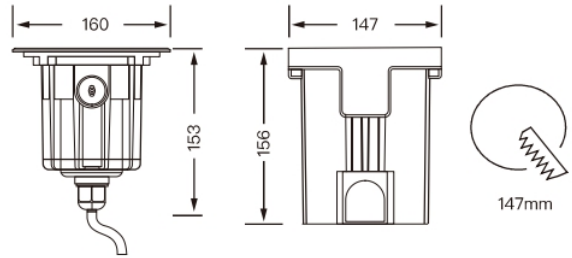


- PWM
- IP67
- DALI
- RoHS
- DMX 512
- CE
- 1-10V
- Triac

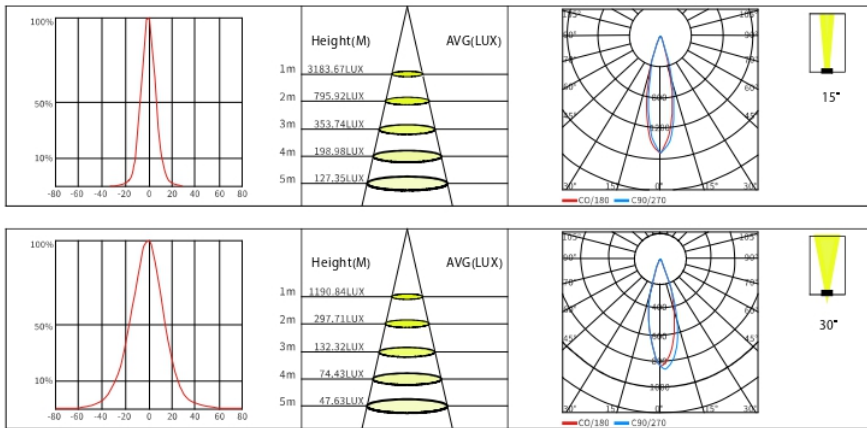
Features

- Body composition ADC12! high density aluminum alloy, outdoor powder coated
Hard chrome plated stainless steel SUS 316# for front cover
- Lens PMMA, Up to 90% efficiency
- Diffuser 8mm tempered glass
- IP rated IP67 for inground application
- Lighting Engine CREE/Osram/Epistar
- Ambient Temp. -20°C~45°C
- Accessories ABS mounting sleeve
- Wires Rubber 2X1mm²、3X1mm²、2X1+3X0.5mm²
- Working method on/off、DMX512、Triac、PWM、1-10V

Dimension(mm)



Typical Photometric



Light Throw



Model	Class	Input Volt	Watt	CCT	Beam Angle	LED Qty	Working Method	Body Composition	Diffuser	IP
YH-D111413	Linear Inground	DC24V AC220V	12W 18W 24W	3000K 4000K RGB RGBW	8°/15°/30° 40°/60°	6pcs	On/Off DMX512 PWM Triac 1-10V	ADC12# AL	Tempered Glass	IP67



Anti-glare Inground Light

YH+D111414

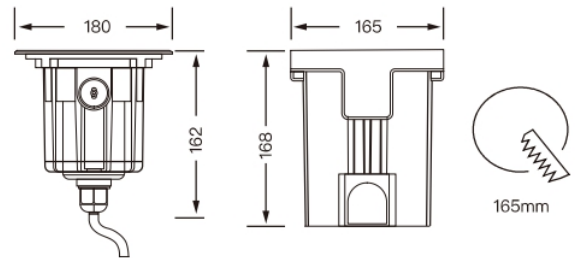


- PWM
- IP67
- DALI
- RoHS
- DMX 512
- CE
- 1-10V
- Triac

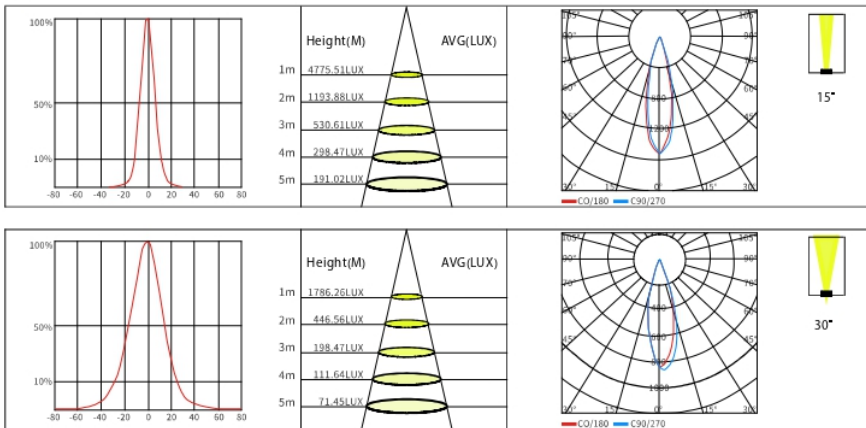
Features

- Body composition ADC12! high density aluminum alloy, outdoor powder coated
Hard chrome plated stainless steel SUS 316# for front cover
- Lens PMMA, Up to 90% efficiency
- Diffuser 8mm tempered glass
- IP rated IP67 for inground application
- Lighting Engine CREE/Osram/Epistar
- Ambient Temp. -20°C~45°C
- Accessories ABS mounting sleeve
- Wires Rubber 2X1mm²、3X1mm²、2X1+3X0.5mm²
- Working method on/off、DMX512、Triac、PWM、1-10V

Dimension(mm)



Typical Photometric



Light Throw

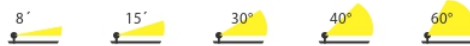


Model	Class	Input Volt	Watt	CCT	Beam Angle	LED Qty	Working Method	Body Composition	Diffuser	IP
YH-D111414	Linear Inground	DC24V AC220V	18W 27W 36W	3000K 4000K RGB RGBW	8°/15°/30° 40°/60°	9pcs	On/Off DMX512 PWM Triac 1-10V	ADC12# AL	Tempered Glass	IP67



Anti-glare Inground Light

YH+D111415

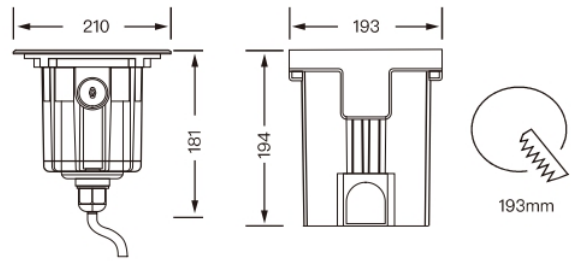


- PWM
- IP67
- DALI
- RoHS
- DMX 512
- CE
- 1-10V
- Triac

Features

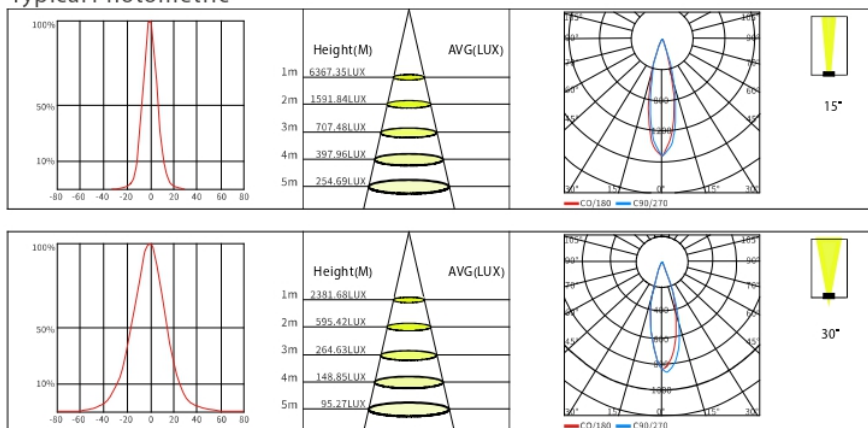
- Body composition ADC12! high density aluminum alloy, outdoor powder coated
Hard chrome plated stainless steel SUS 316# for front cover
- Lens PMMA, Up to 90% efficiency
- Diffuser 8mm tempered glass
- IP rated IP67 for inground application
- Lighting Engine CREE/Osram/Epistar
- Ambient Temp. -20°C~45°C
- Accessories ABS mounting sleeve
- Wires Rubber 2X1mm²、3X1mm²、2X1+3X0.5mm²
- Working method on/off、DMX512、Triac、PWM、1-10V

Dimension(mm)



Light Throw

Typical Photometric



Model	Class	Input Volt	Watt	CCT	Beam Angle	LED Qty	Working Method	Body Composition	Diffuser	IP
YH-D111415	Linear Inground	DC24V AC220V	24W 36W 48W	3000K 4000K RGB RGBW	8°/15°/30° 40°/60°	12pcs	On/Off DMX512 PWM Triac 1-10V	ADC12# AL	Tempered Glass	IP67



Anti-glare Inground Light

YH+D111416

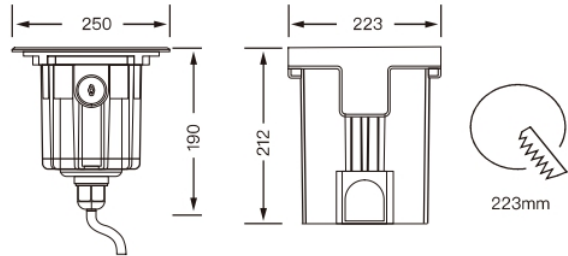


- PWM
- IP67
- DALI
- RoHS
- DMX 512
- CE
- 1-10V
- Triac

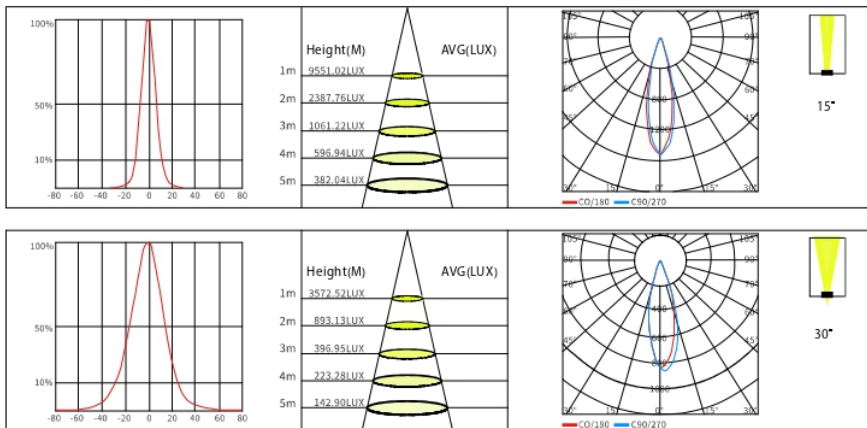
Features

- Body composition ADC12! high density aluminum alloy, outdoor powder coated
Hard chrome plated stainless steel SUS 316# for front cover
- Lens PMMA, Up to 90% efficiency
- Diffuser 8mm tempered glass
- IP rated IP67 for inground application
- Lighting Engine CREE/Osram/Epistar
- Ambient Temp. -20°C~45°C
- Accessories ABS mounting sleeve
- Wires Rubber 2X1mm²、3X1mm²、2X1+3X0.5mm²
- Working method on/off、DMX512、Triac、PWM、1-10V

Dimension(mm)



Typical Photometric



Light Throw



Model	Class	Input Volt	Watt	CCT	Beam Angle	LED Qty	Working Method	Body Composition	Diffuser	IP
YH-D111416	Linear Inground	DC24V AC220V	36W 54W 72W	3000K 4000K RGB RGBW	8°/15°/30° 40°/60°	18pcs	On/Off DMX512 PWM Triac 1-10V	ADC12# AL	Tempered Glass	IP67



Anti-glare COB Inground Light

YH+D111512

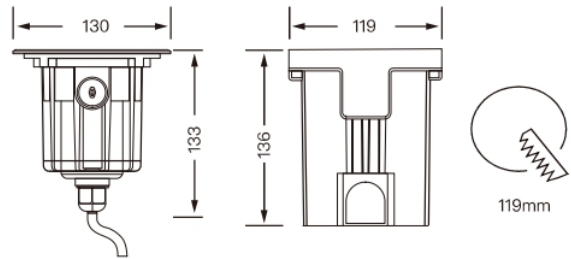


- PWM
- IP67
- DALI
- RoHS
- DMX 512
- CE
- 1-10V
- Triac

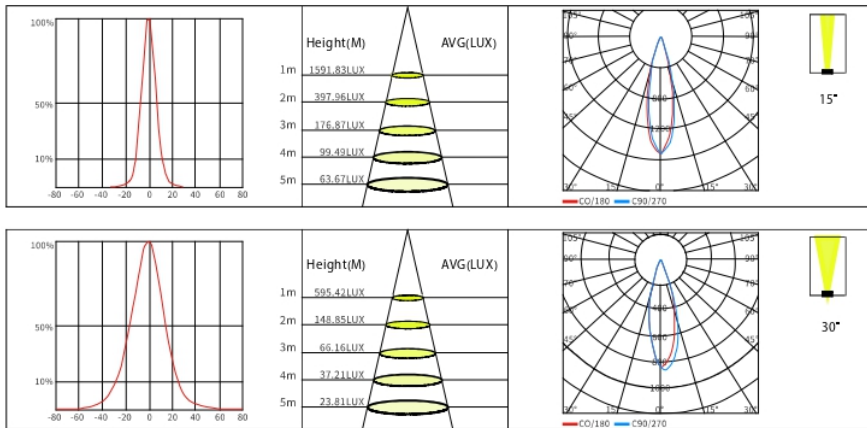
Features

- Body composition ADC12! high density aluminum alloy, outdoor powder coated
Hard chrome plated stainless steel SUS 316# for front cover
- Lens PMMA, Up to 90% efficiency
- Diffuser 8mm tempered glass
- IP rated IP67 for inground application
- Lighting Engine CREE/Osram/Epistar
- Ambient Temp. -20°C~45°C
- Accessories ABS mounting sleeve
- Wires Rubber 2X1mm²、3X1mm²、2X1+3X0.5mm²
- Working method on/off、DMX512、Triac、PWM、1-10V

Dimension(mm)



Typical Photometric



Light Throw



Model	Class	Input Volt	Watt	CCT	Beam Angle	LED Qty	Working Method	Body Composition	Diffuser	IP
YH-D111512	Linear Inground	DC24V AC220V	10W	3000K 4000K	18°/24°/38° 60°	1pcs	On/Off DMX512 PWM Triac 1-10V	ADC12# AL	Tempered Glass	IP67



Anti-glare COB Inground Light

YH+D111513

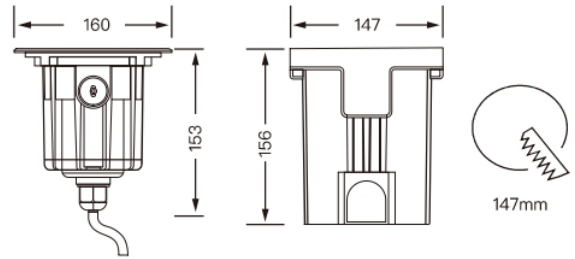


- PWM
- IP67
- DALI
- RoHS
- DMX 512
- CE
- 1-10V
- Triac

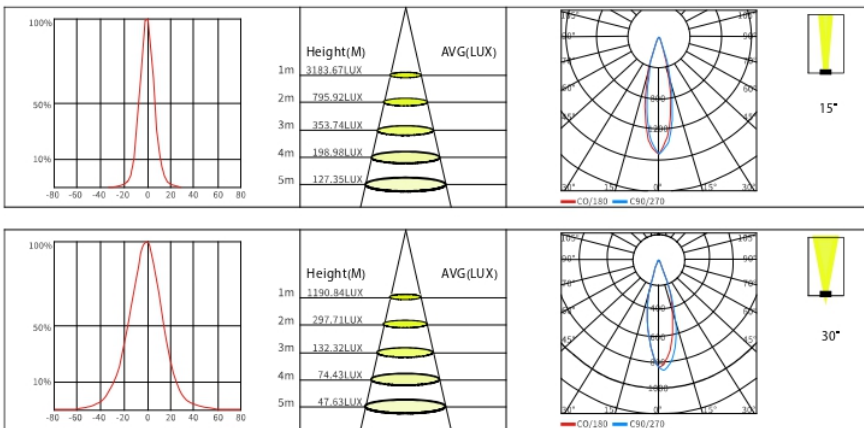
Features

- Body composition ADC12! high density aluminum alloy, outdoor powder coated
Hard chrome plated stainless steel SUS 316# for front cover
- Lens PMMA, Up to 90% efficiency
- Diffuser 8mm tempered glass
- IP rated IP67 for inground application
- Lighting Engine CREE/Osram/Epistar
- Ambient Temp. -20°C~45°C
- Accessories ABS mounting sleeve
- Wires Rubber 2X1mm², 3X1mm², 2X1+3X0.5mm²
- Working method on/off, DMX512, Triac, PWM, 1-10V

Dimension(mm)



Typical Photometric



Light Throw



Model	Class	Input Volt	Watt	CCT	Beam Angle	LED Qty	Working Method	Body Composition	Diffuser	IP
YH-D111513	Linear Inground	DC24V AC220V	15W	3000K 4000K	18°/24°/38° 60°	1pcs	On/Off DMX512 PWM Triac 1-10V	ADC12# AL	Tempered Glass	IP67



Anti-glare COB Inground Light

YH+D111514

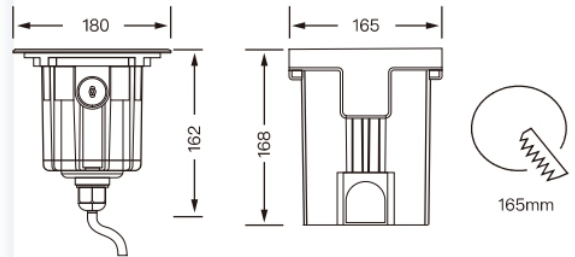


- PWM
- IP67
- DALI
- RoHS
- DMX 512
- CE
- 1-10V
- Triac

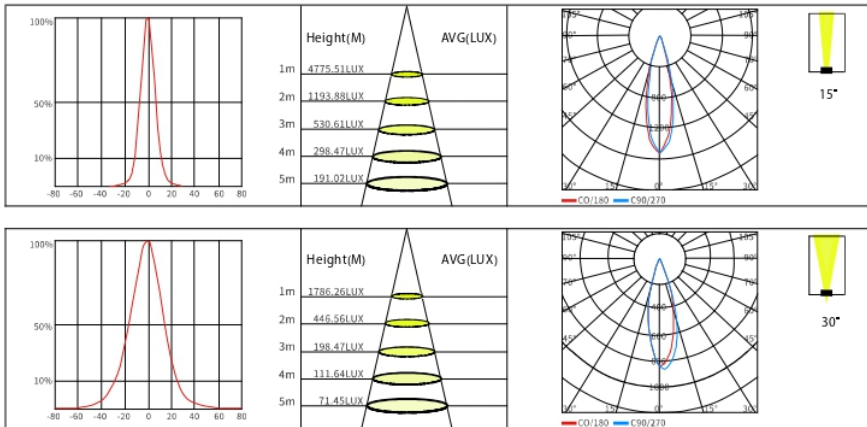
Features

- Body composition ADC12! high density aluminum alloy, outdoor powder coated
Hard chrome plated stainless steel SUS 316# for front cover
- Lens PMMA, Up to 90% efficiency
- Diffuser 8mm tempered glass
- IP rated IP67 for inground application
- Lighting Engine CREE/Osram/Epistar
- Ambient Temp. -20°C~45°C
- Accessories ABS mounting sleeve
- Wires Rubber 2X1mm²、3X1mm²、2X1+3X0.5mm²
- Working method on/off、DMX512、Triac、PWM、1-10V

Dimension(mm)



Typical Photometric



Light Throw



Model	Class	Input Volt	Watt	CCT	Beam Angle	LED Qty	Working Method	Body Composition	Diffuser	IP
YH-D111514	Linear Inground	DC24V AC220V	20W	3000K 4000K	18°/24°/38° 60°	1pcs	On/Off DMX512 PWM Triac 1-10V	ADC12# AL	Tempered Glass	IP67



Anti-glare COB Inground Light

YH+D111515

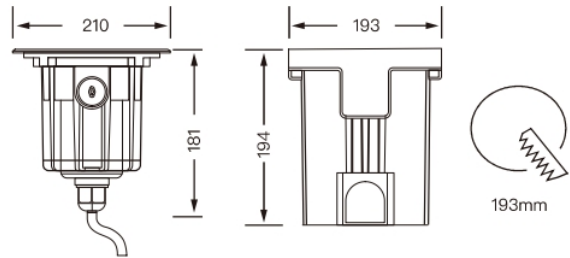


- PWM
- IP67
- DALI
- RoHS
- DMX 512
- CE
- 1-10V
- Triac

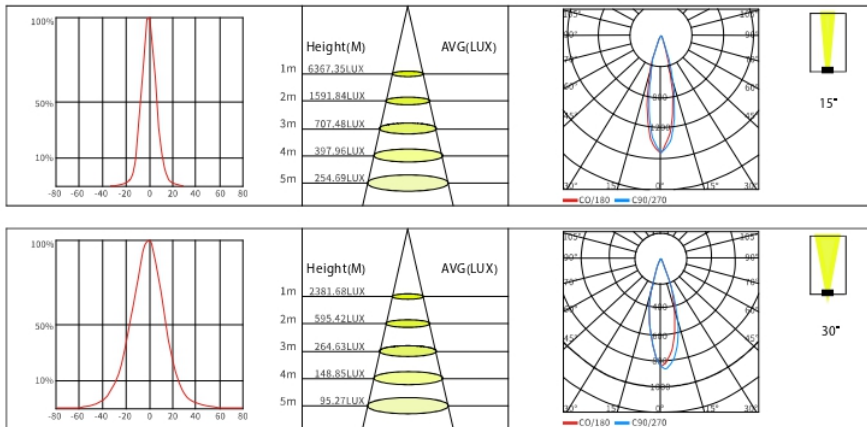
Features

- Body composition ADC12! high density aluminum alloy, outdoor powder coated
Hard chrome plated stainless steel SUS 316# for front cover
- Lens PMMA, Up to 90% efficiency
- Diffuser 8mm tempered glass
- IP rated IP67 for inground application
- Lighting Engine CREE/Osram/Epistar
- Ambient Temp. -20°C~45°C
- Accessories ABS mounting sleeve
- Wires Rubber 2X1mm², 3X1mm², 2X1+3X0.5mm²
- Working method on/off, DMX512, Triac, PWM, 1-10V

Dimension(mm)



Typical Photometric



Light Throw



Model	Class	Input Volt	Watt	CCT	Beam Angle	LED Qty	Working Method	Body Composition	Diffuser	IP
YH-D111514	Linear Inground	DC24V AC220V	30W	3000K 4000K	18°/24°/38° 60°	1pcs	On/Off DMX512 PWM Triac 1-10V	ADC12# AL	Tempered Glass	IP67



Anti-glare COB Inground Light

YH+D111516

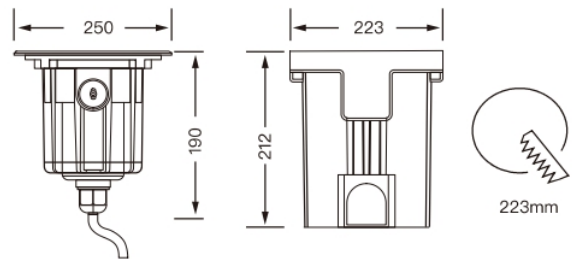


- PWM
- IP67
- DALI
- RoHS
- DMX 512
- CE
- 1-10V
- Triac

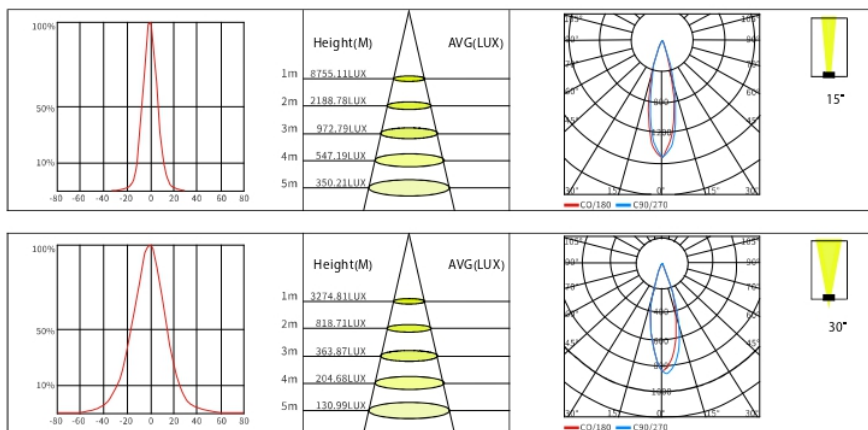
Features

- Body composition ADC12! high density aluminum alloy, outdoor powder coated
Hard chrome plated stainless steel SUS 316# for front cover
- Lens PMMA, Up to 90% efficiency
- Diffuser 8mm tempered glass
- IP rated IP67 for inground application
- Lighting Engine CREE/Osram/Epistar
- Ambient Temp. -20°C~45°C
- Accessories ABS mounting sleeve
- Wires Rubber 2X1mm², 3X1mm², 2X1+3X0.5mm²
- Working method on/off, DMX512, Triac, PWM, 1-10V

Dimension(mm)



Light Throw



Model	Class	Input Volt	Watt	CCT	Beam Angle	LED Qty	Working Method	Body Composition	Diffuser	IP
YH-D111516	Linear Inground	DC24V AC220V	40W	3000K 4000K	18°/24°/38° 60°	1pcs	On/Off DMX512 PWM Triac 1-10V	ADC12# AL	Tempered Glass	IP67



High Power COB Inground Light

YH+D111711

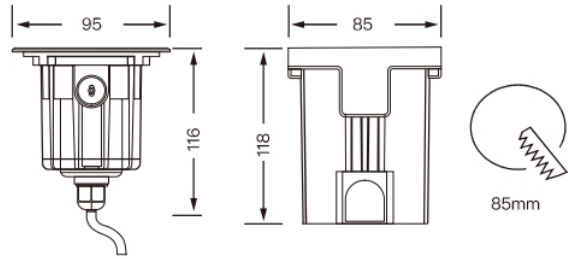


- PWM
- IP67
- DALI
- RoHS
- DMX 512
- CE
- 1-10V
- Triac

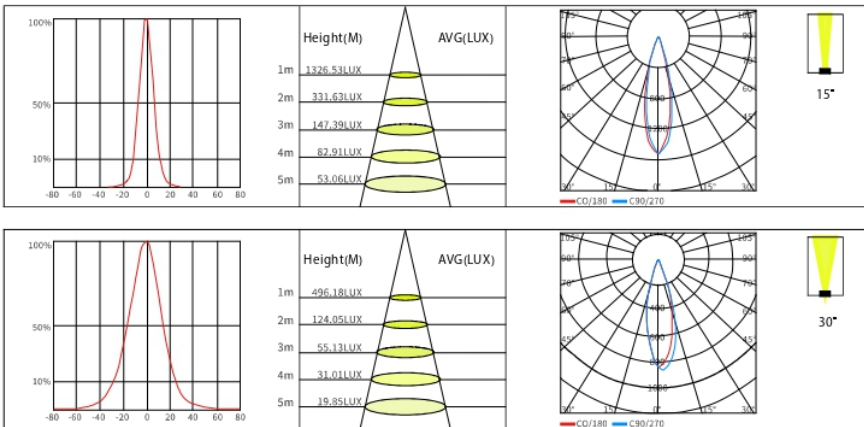
Features

- Body composition ADC12! high density aluminum alloy, outdoor powder coated
Hard chrome plated stainless steel SUS 316# for front cover
- Lens PMMA, Up to 90% efficiency
- Diffuser 8mm tempered glass
- IP rated IP67 for inground application
- Lighting Engine CREE/Osram/Epistar
- Ambient Temp. -20°C~45°C
- Accessories ABS mounting sleeve
- Wires Rubber 2X1mm²、3X1mm²、2X1+3X0.5mm²
- Working method on/off、DMX512、Triac、PWM、1-10V

Dimension(mm)



Typical Photometric



Light Throw



Model	Class	Input Volt	Watt	CCT	Beam Angle	LED Qty	Working Method	Body Composition	Diffuser	IP
YH-D111711	Linear Inground	DC24V AC220V	5W	3000K 4000K	18°/24°/38° 60°	1pcs	On/Off DMX512 PWM Triac 1-10V	ADC12# AL	Tempered Glass	IP67



High Power COB Inground Light

YH+D111712

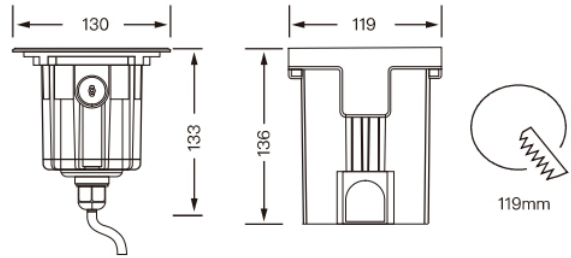


- PWM
- IP67
- DALI
- RoHS
- DMX 512
- CE
- 1-10V
- Triac

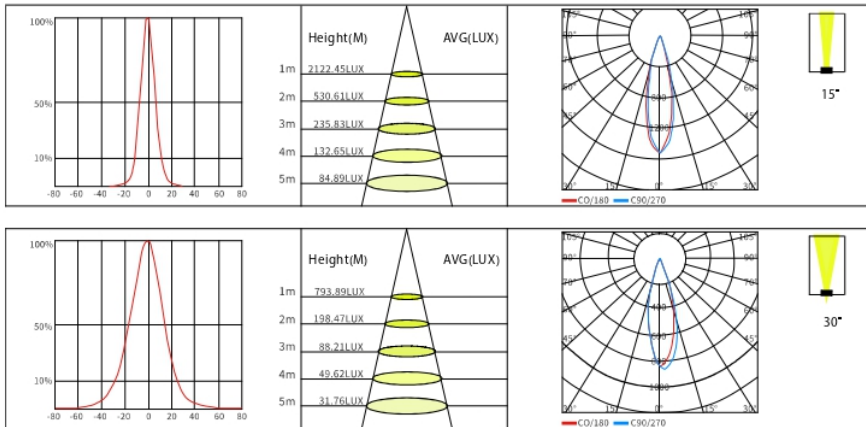
Features

- Body composition ADC12! high density aluminum alloy, outdoor powder coated
Hard chrome plated stainless steel SUS 316# for front cover
- Lens PMMA, Up to 90% efficiency
- Diffuser 8mm tempered glass
- IP rated IP67 for inground application
- Lighting Engine CREE/Osram/Epistar
- Ambient Temp. -20°C~45°C
- Accessories ABS mounting sleeve
- Wires Rubber 2X1mm², 3X1mm², 2X1+3X0.5mm²
- Working method on/off, DMX512, Triac, PWM, 1-10V

Dimension(mm)



Typical Photometric



Light Throw



Model	Class	Input Volt	Watt	CCT	Beam Angle	LED Qty	Working Method	Body Composition	Diffuser	IP
YH-D111712	Linear Inground	DC24V AC220V	10W	3000K 4000K	18°/24°/38° 60°	1pcs	On/Off DMX512 PWM Triac 1-10V	ADC12# AL	Tempered Glass	IP67



High Power COB Inground Light

YH+D111713

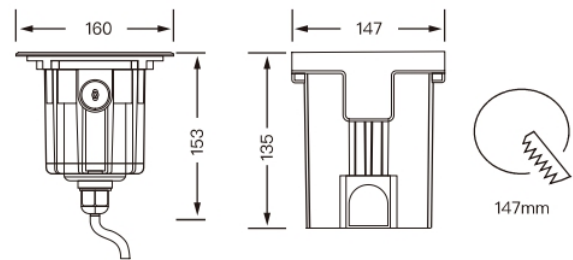


- PWM
- IP67
- DALI
- RoHS
- DMX 512
- CE
- 1-10V
- Triac

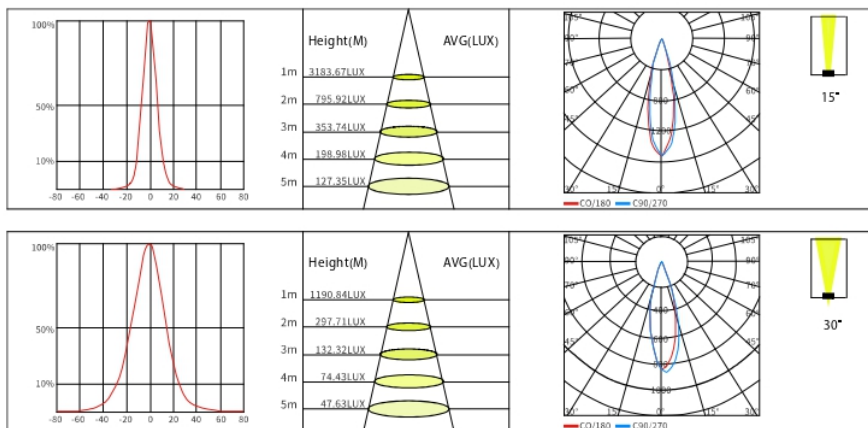
Features

- Body composition** ADC12! high density aluminum alloy, outdoor powder coated
Hard chrome plated stainless steel SUS 316# for front cover
- Lens** PMMA, Up to 90% efficiency
- Diffuser** 8mm tempered glass
- IP rated** IP67 for inground application
- Lighting Engine** CREE/Osram/Epistar
- Ambient Temp.** -20°C~45°C
- Accessories** ABS mounting sleeve
- Wires** Rubber 2X1mm², 3X1mm², 2X1+3X0.5mm²
- Working method** on/off, DMX512, Triac, PWM, 1-10V

Dimension(mm)



Typical Photometric



Light Throw



Model	Class	Input Volt	Watt	CCT	Beam Angle	LED Qty	Working Method	Body Composition	Diffuser	IP
YH-D111713	Linear Inground	DC24V AC220V	15W	3000K 4000K	18°/24°/38° 60°	1pcs	On/Off DMX512 PWM Triac 1-10V	ADC12# AL	Tempered Glass	IP67



High Power COB Inground Light

YH+D111714

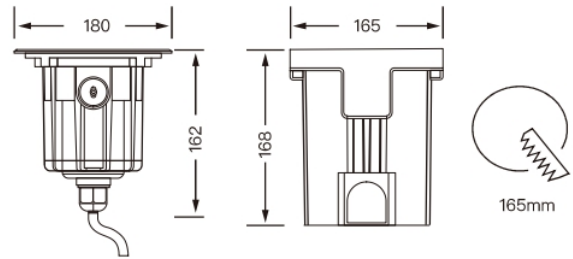


- PWM
- IP67
- DALI
- RoHS
- DMX 512
- CE
- 1-10V
- Triac

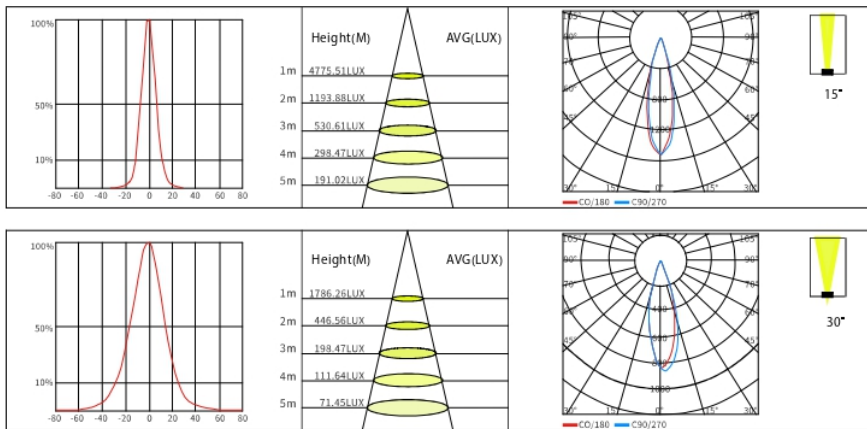
Features

- Body composition** ADC12! high density aluminum alloy, outdoor powder coated
Hard chrome plated stainless steel SUS 316# for front cover
- Lens** PMMA, Up to 90% efficiency
- Diffuser** 8mm tempered glass
- IP rated** IP67 for inground application
- Lighting Engine** CREE/Osram/Epistar
- Ambient Temp.** -20°C~45°C
- Accessories** ABS mounting sleeve
- Wires** Rubber 2X1mm²、3X1mm²、2X1+3X0.5mm²
- Working method** on/off、DMX512、Triac、PWM、1-10V

Dimension(mm)



Typical Photometric



Light Throw



Model	Class	Input Volt	Watt	CCT	Beam Angle	LED Qty	Working Method	Body Composition	Diffuser	IP
YH-D111714	Linear Inground	DC24V AC220V	20W	3000K 4000K	18°/24°/38° 60°	1pcs	On/Off DMX512 PWM Triac 1-10V	ADC12# AL	Tempered Glass	IP67



High Power COB Inground Light

YH+D111715

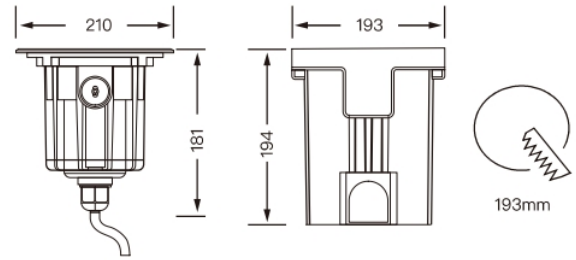


- PWM
- IP67
- DALI
- RoHS
- DMX 512
- CE
- 1-10V
- Triac

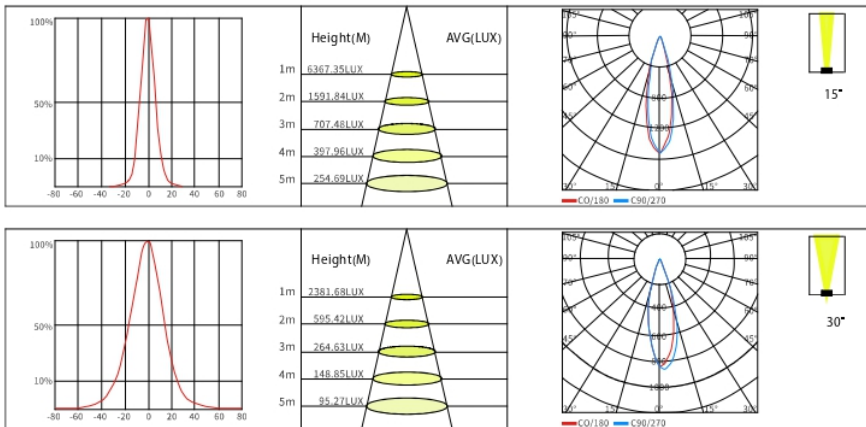
Features

- Body composition** ADC12! high density aluminum alloy, outdoor powder coated
Hard chrome plated stainless steel SUS 316# for front cover
- Lens** PMMA, Up to 90% efficiency
- Diffuser** 8mm tempered glass
- IP rated** IP67 for inground application
- Lighting Engine** CREE/Osram/Epistar
- Ambient Temp.** -20°C~45°C
- Accessories** ABS mounting sleeve
- Wires** Rubber 2X1mm², 3X1mm², 2X1+3X0.5mm²
- Working method** on/off, DMX512, Triac, PWM, 1-10V

Dimension(mm)



Typical Photometric



Light Throw



Model	Class	Input Volt	Watt	CCT	Beam Angle	LED Qty	Working Method	Body Composition	Diffuser	IP
YH-D111715	Linear Inground	DC24V AC220V	30W	3000K 4000K	18°/24°/38° 60°	1pcs	On/Off DMX512 PWM Triac 1-10V	ADC12# AL	Tempered Glass	IP67



High Power COB Inground Light

YH+D111716

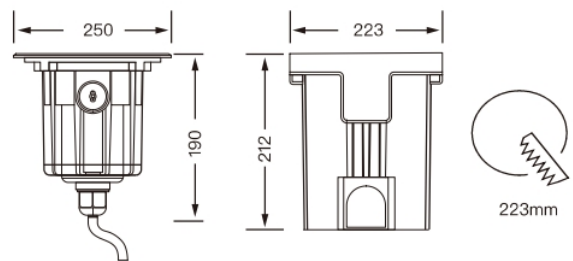


- PWM
- IP67
- DALI
- RoHS
- DMX 512
- CE
- 1-10V
- Triac

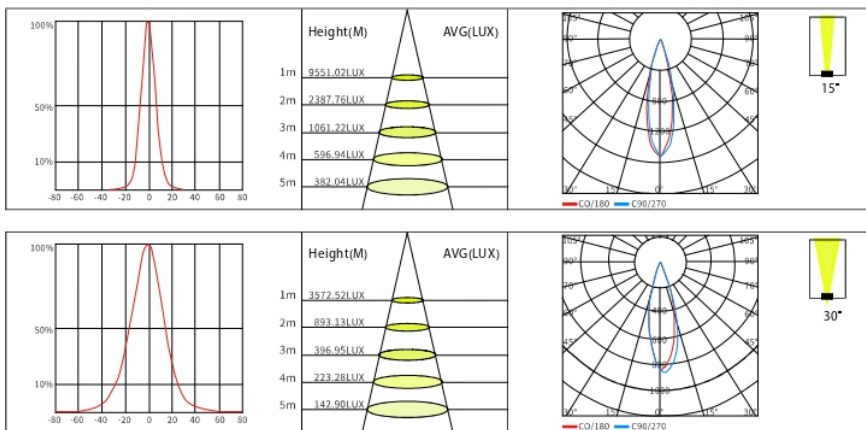
Features

- Body composition ADC12! high density aluminum alloy, outdoor powder coated
Hard chrome plated stainless steel SUS 316# for front cover
- Lens PMMA, Up to 90% efficiency
- Diffuser 8mm tempered glass
- IP rated IP67 for inground application
- Lighting Engine CREE/Osram/Epistar
- Ambient Temp. -20°C~45°C
- Accessories ABS mounting sleeve
- Wires Rubber 2X1mm²、3X1mm²、2X1+3X0.5mm²
- Working method on/off、DMX512、Triac、PWM、1-10V

Dimension(mm)



Typical Photometric



Light Throw



Model	Class	Input Volt	Watt	CCT	Beam Angle	LED Qty	Working Method	Body Composition	Diffuser	IP
YH-D111716	Linear Inground	DC24V AC220V	40W	3000K 4000K	18°/24°/38° 60°	1pcs	On/Off DMX512 PWM Triac 1-10V	ADC12# AL	Tempered Glass	IP67



Asymmetric Inground Light

YH+D111611

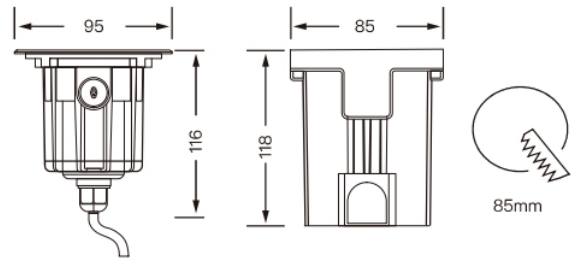


- PWM
- IP67
- DALI
- RoHS
- DMX 512
- CE
- 1-10V
- Triac

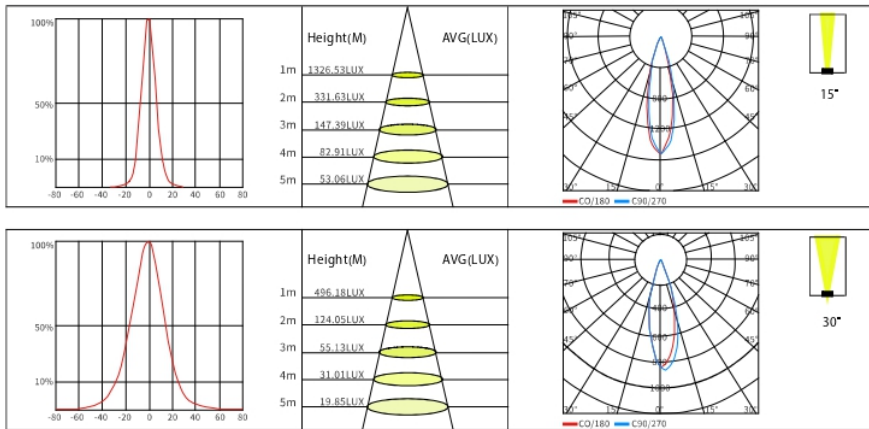
Features

- Body composition ADC12! high density aluminum alloy, outdoor powder coated
Hard chrome plated stainless steel SUS 316# for front cover
- Lens PMMA, Up to 90% efficiency
- Diffuser 8mm tempered glass
- IP rated IP67 for inground application
- Lighting Engine CREE/Osram/Epistar
- Ambient Temp. -20°C~45°C
- Accessories ABS mounting sleeve
- Wires Rubber 2X1mm²、3X1mm²、2X1+3X0.5mm²
- Working method on/off、DMX512、Triac、PWM、1-10V

Dimension(mm)



Typical Photometric



Light Throw



Model	Class	Input Volt	Watt	CCT	Beam Angle	LED Qty	Working Method	Body Composition	Diffuser	IP
YH-D111611	Linear Inground	DC24V AC220V	5W	3000K 4000K	20°/30°	1pcs	On/Off DMX512 PWM Triac 1-10V	ADC12# AL	Tempered Glass	IP67



Asymmetric Inground Light

YH+D111611

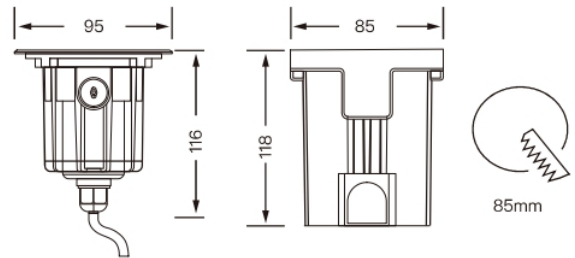


- PWM
- IP67
- DALI
- RoHS
- DMX 512
- CE
- 1-10V
- Triac

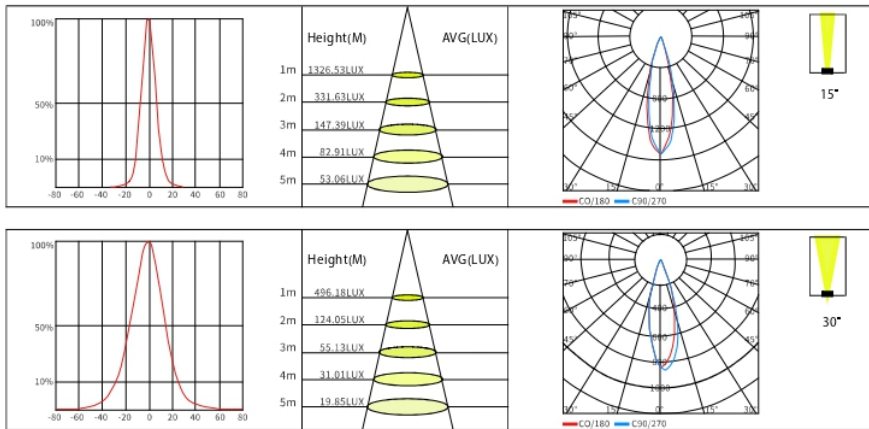
Features

- Body composition ADC12! high density aluminum alloy, outdoor powder coated
Hard chrome plated stainless steel SUS 316# for front cover
- Lens PMMA, Up to 90% efficiency
- Diffuser 8mm tempered glass
- IP rated IP67 for inground application
- Lighting Engine CREE/Osram/Epistar
- Ambient Temp. -20°C~45°C
- Accessories ABS mounting sleeve
- Wires Rubber 2X1mm², 3X1mm², 2X1+3X0.5mm²
- Working method on/off, DMX512, Triac, PWM, 1-10V

Dimension(mm)



Typical Photometric



Light Throw



Model	Class	Input Volt	Watt	CCT	Beam Angle	LED Qty	Working Method	Body Composition	Diffuser	IP
YH-D111611	Linear Inground	DC24V AC220V	5W	3000K 4000K	20°/30°	1pcs	On/Off DMX512 PWM Triac 1-10V	ADC12# AL	Tempered Glass	IP67



Asymmetric Inground Light

YH+D111612

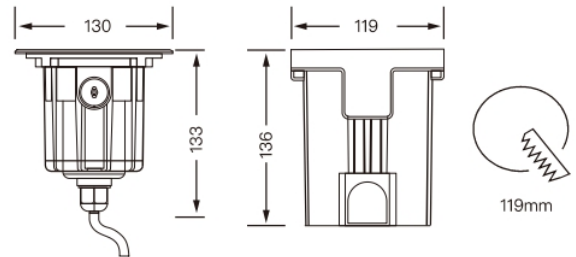


- PWM
- IP67
- DALI
- RoHS
- DMX 512
- CE
- 1-10V
- Triac

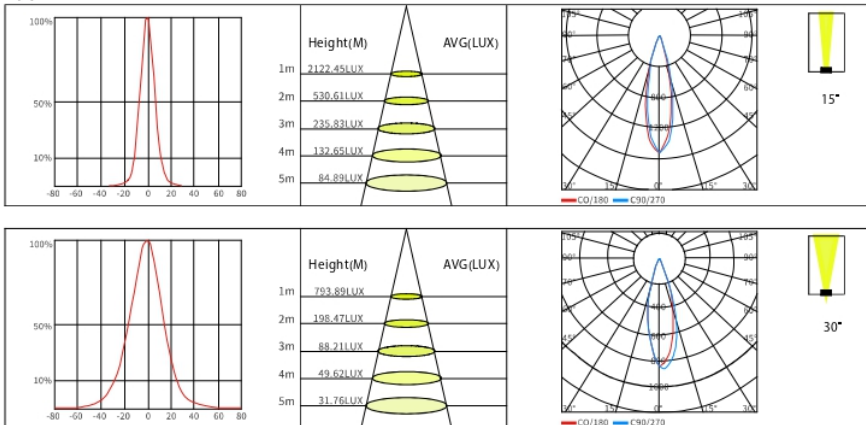
Features

- Body composition** ADC12! high density aluminum alloy, outdoor powder coated
Hard chrome plated stainless steel SUS 316# for front cover
- Lens** PMMA, Up to 90% efficiency
- Diffuser** 8mm tempered glass
- IP rated** IP67 for inground application
- Lighting Engine** CREE/Osram/Epistar
- Ambient Temp.** -20°C~45°C
- Accessories** ABS mounting sleeve
- Wires** Rubber 2X1mm²、3X1mm²、2X1+3X0.5mm²
- Working method** on/off、DMX512、Triac、PWM、1-10V

Dimension(mm)



Typical Photometric



Light Throw

Model	Class	Input Volt	Watt	CCT	Beam Angle	LED Qty	Working Method	Body Composition	Diffuser	IP
YH-D111612	Linear Inground	DC24V AC220V	8W	3000K 4000K	20°/30°	1pcs	On/Off DMX512 PWM Triac 1-10V	ADC12# AL	Tempered Glass	IP67



High Power COB Inground Light

YH+D111613

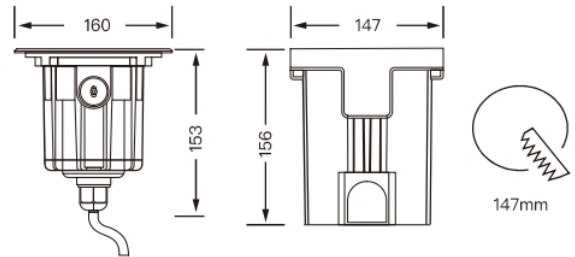


- PWM
- IP67
- DALI
- RoHS
- DMX 512
- CE
- 1-10V
- Triac

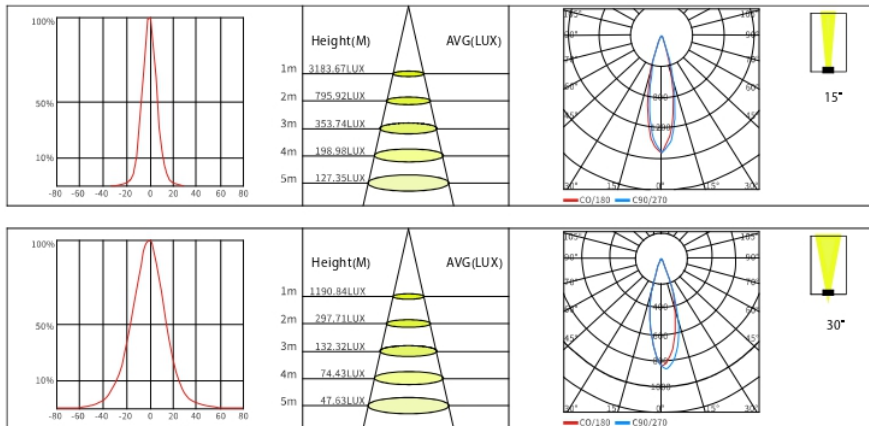
Features

- Body composition** ADC12! high density aluminum alloy, outdoor powder coated
Hard chrome plated stainless steel SUS 316# for front cover
- Lens** PMMA, Up to 90% efficiency
- Diffuser** 8mm tempered glass
- IP rated** IP67 for inground application
- Lighting Engine** CREE/Osram/Epistar
- Ambient Temp.** -20°C~45°C
- Accessories** ABS mounting sleeve
- Wires** Rubber 2X1mm²、3X1mm²、2X1+3X0.5mm²
- Working method** on/off、DMX512、Triac、PWM、1-10V

Dimension(mm)



Typical Photometric



Light Throw



Model	Class	Input Volt	Watt	CCT	Beam Angle	LED Qty	Working Method	Body Composition	Diffuser	IP
YH-D111613	Linear Inground	DC24V AC220V	12W	3000K 4000K	20°/30°	1pcs	On/Off DMX512 PWM Triac 1-10V	ADC12# AL	Tempered Glass	IP67



High Power COB Inground Light

YH+D111614

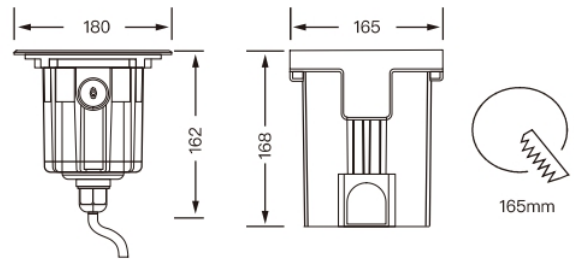


- PWM
- IP67
- DALI
- RoHS
- DMX 512
- CE
- 1-10V
- Triac

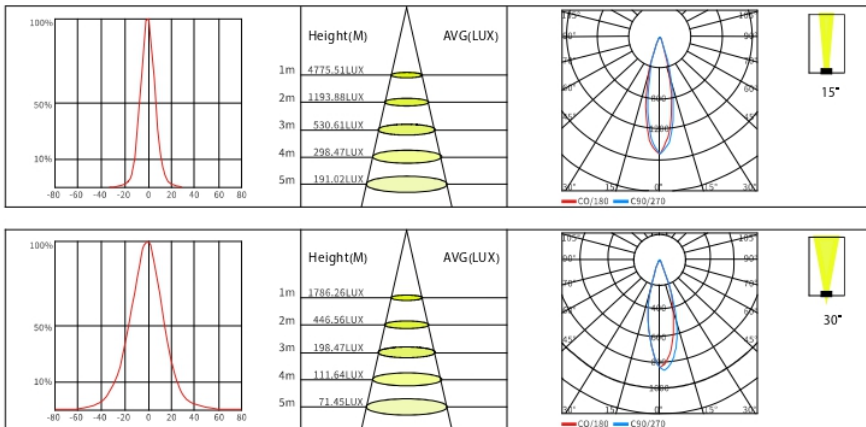
Features

- Body composition** ADC12! high density aluminum alloy, outdoor powder coated
Hard chrome plated stainless steel SUS 316# for front cover
- Lens** PMMA, Up to 90% efficiency
- Diffuser** 8mm tempered glass
- IP rated** IP67 for inground application
- Lighting Engine** CREE/Osram/Epistar
- Ambient Temp.** -20°C~45°C
- Accessories** ABS mounting sleeve
- Wires** Rubber 2X1mm²、3X1mm²、2X1+3X0.5mm²
- Working method** on/off、DMX512、Triac、PWM、1-10V

Dimension(mm)



Typical Photometric



Light Throw



Model	Class	Input Volt	Watt	CCT	Beam Angle	LED Qty	Working Method	Body Composition	Diffuser	IP
YH-D111614	Linear Inground	DC24V AC220V	18W	3000K 4000K	20°/30°	1pcs	On/Off DMX512 PWM Triac 1-10V	ADC12# AL	Tempered Glass	IP67



High Power COB Inground Light

YH+D111615

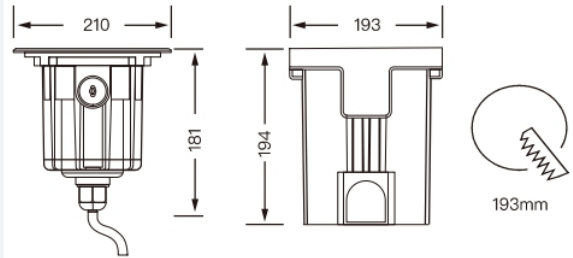


- PWM
- IP67
- DALI
- RoHS
- DMX 512
- CE
- 1-10V
- Triac

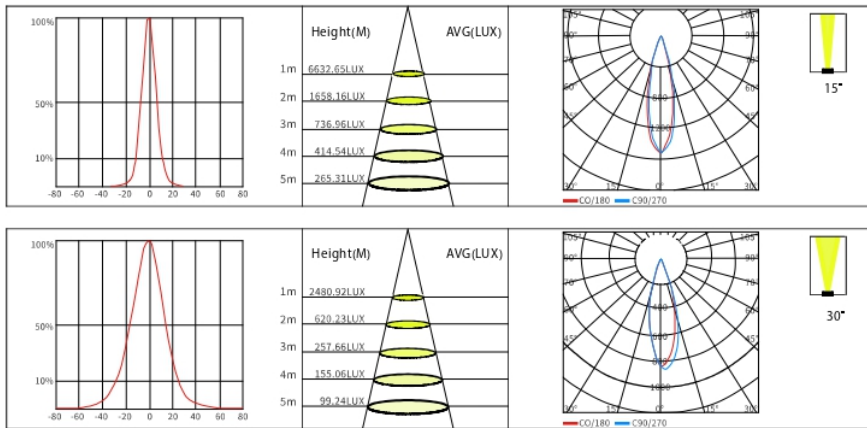
Features

- Body composition ADC12! high density aluminum alloy, outdoor powder coated
Hard chrome plated stainless steel SUS 316# for front cover
- Lens PMMA, Up to 90% efficiency
- Diffuser 8mm tempered glass
- IP rated IP67 for inground application
- Lighting Engine CREE/Osram/Epistar
- Ambient Temp. -20°C~45°C
- Accessories ABS mounting sleeve
- Wires Rubber 2X1mm²、3X1mm²、2X1+3X0.5mm²
- Working method on/off、DMX512、Triac、PWM、1-10V

Dimension(mm)



Typical Photometric



Light Throw



Model	Class	Input Volt	Watt	CCT	Beam Angle	LED Qty	Working Method	Body Composition	Diffuser	IP
YH-D111615	Linear Inground	DC24V AC220V	25W	3000K 4000K	20°/30°	1pcs	On/Off DMX512 PWM Triac 1-10V	ADC12# AL	Tempered Glass	IP67



High Power COB Inground Light

YH+D111616

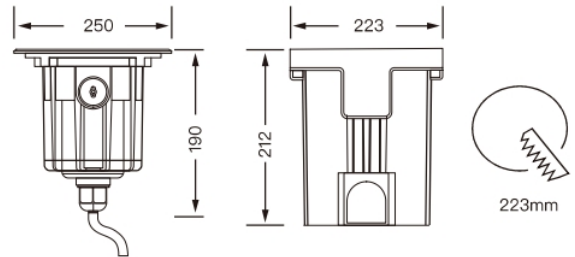


- PWM
- IP67
- DALI
- RoHS
- DMX 512
- CE
- 1-10V
- Triac

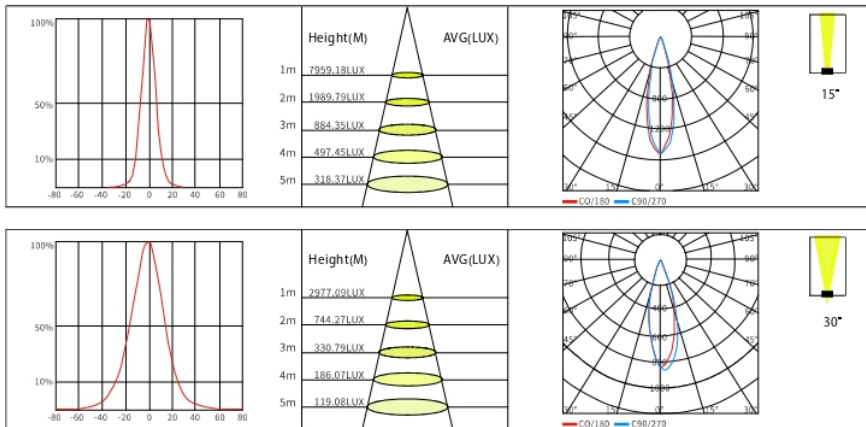
Features

- Body composition ADC12! high density aluminum alloy, outdoor powder coated
Hard chrome plated stainless steel SUS 316# for front cover
- Lens PMMA, Up to 90% efficiency
- Diffuser 8mm tempered glass
- IP rated IP67 for inground application
- Lighting Engine CREE/Osram/Epistar
- Ambient Temp. -20°C~45°C
- Accessories ABS mounting sleeve
- Wires Rubber 2X1mm²、3X1mm²、2X1+3X0.5mm²
- Working method on/off、DMX512、Triac、PWM、1-10V

Dimension(mm)



Typical Photometric



Light Throw



Model	Class	Input Volt	Watt	CCT	Beam Angle	LED Qty	Working Method	Body Composition	Diffuser	IP
YH-D111616	Linear Inground	DC24V AC220V	30W	3000K 4000K	20°/30°	1pcs	On/Off DMX512 PWM Triac 1-10V	ADC12# AL	Tempered Glass	IP67



High Power COB Inground Light

YH+D111811

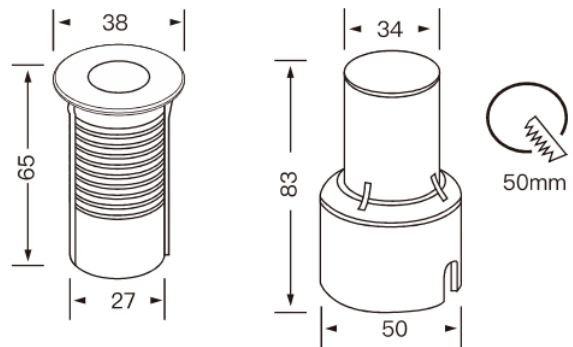


- PWM
- IP67
- DALI
- RoHS
- DMX 512
- CE
- 1-10V
- Triac

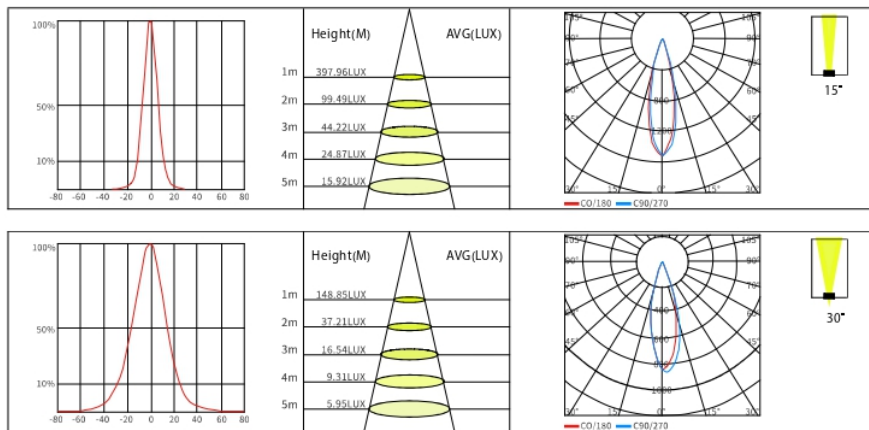
Features

- Body composition** ADC12! high density aluminum alloy, outdoor powder coated
Hard chrome plated stainless steel SUS 316# for front cover
- Lens** PMMA, Up to 90% efficiency
- Diffuser** 8mm tempered glass
- IP rated** IP67 for inground application
- Lighting Engine** CREE/Osram/Epistar
- Ambient Temp.** -20°C~45°C
- Accessories** ABS mounting sleeve
- Wires** Rubber 2X1mm²、3X1mm²、2X1+3X0.5mm²
- Working method** on/off、DMX512、Triac、PWM、1-10V

Dimension(mm)



Typical Photometric



Light Throw



Model	Class	Input Volt	Watt	CCT	Beam Angle	LED Qty	Working Method	Body Composition	Diffuser	IP
YH-D111811	Linear Inground	DC24V	1.5W	3000K 4000K	30°/40°/60°	1pcs	On/Off DMX512 PWM Triac 1-10V	ADC12# AL	Tempered Glass	IP67



High Power COB Inground Light

YH+D111812



PWM

IP67

DALI

RoHS

DMX
512



1-10V

Triac

Features

Body composition ADC12! high density aluminum alloy, outdoor powder coated
Hard chrome plated stainless steel SUS 316# for front cover

Lens PMMA, Up to 90% efficiency

Diffuser 8mm tempered glass

IP rated IP67 for inground application

Lighting Engine CREE/Osram/Epistar

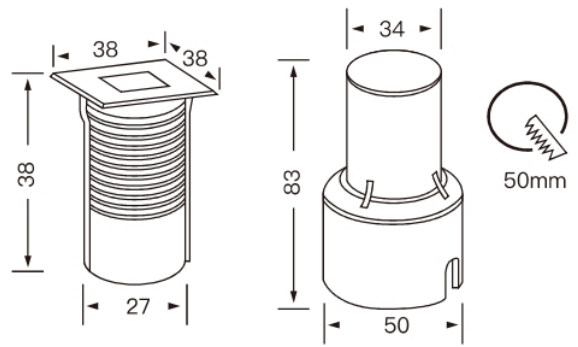
Ambient Temp. -20°C~45°C

Accessories ABS mounting sleeve

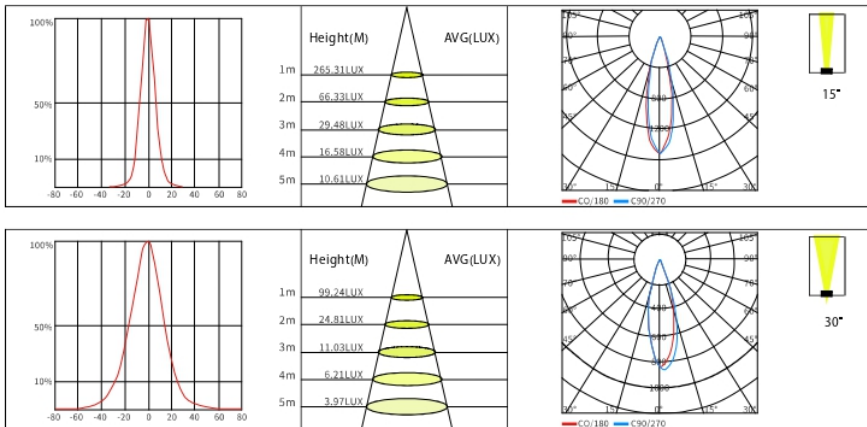
Wires Rubber 2X1mm²、3X1mm²、2X1+3X0.5mm²

Working method on/off、DMX512、Triac、PWM、1-10V

Dimension(mm)



Typical Photometric



Light Throw



Model	Class	Input Volt	Watt	CCT	Beam Angle	LED Qty	Working Method	Body Composition	Diffuser	IP
YH-D111812	Linear Inground	DC24V	1W	3000K 4000K	120°	1pcs	On/Off DMX512 PWM Triac 1-10V	ADC12# AL	Tempered Glass	IP67



High Power COB Inground Light

YH+D111813



PWM

IP67

DALI

RoHS

DMX
512



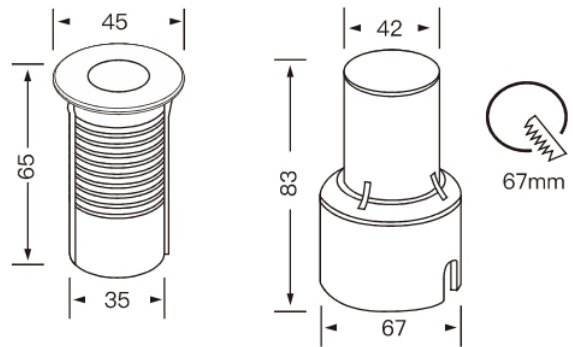
1-10V

Triac

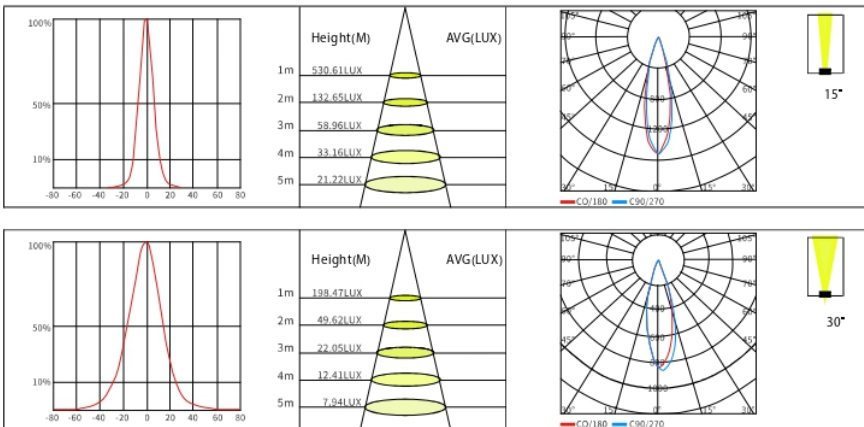
Features

- Body composition ADC12! high density aluminum alloy, outdoor powder coated
Hard chrome plated stainless steel SUS 316# for front cover
- Lens PMMA, Up to 90% efficiency
- Diffuser 8mm tempered glass
- IP rated IP67 for inground application
- Lighting Engine CREE/Osram/Epistar
- Ambient Temp. -20°C~45°C
- Accessories ABS mounting sleeve
- Wires Rubber 2X1mm²、3X1mm²、2X1+3X0.5mm²
- Working method on/off、DMX512、Triac、PWM、1-10V

Dimension(mm)



Typical Photometric



Light Throw



Model	Class	Input Volt	Watt	CCT	Beam Angle	LED Qty	Working Method	Body Composition	Diffuser	IP
YH-D111813	Linear Inground	DC24V	2W 3W	3000K 4000K RGB	30°/40°/60°	1pcs	On/Off DMX512 PWM Triac 1-10V	ADC12# AL	Tempered Glass	IP67



High Power COB Inground Light

YH+D111814

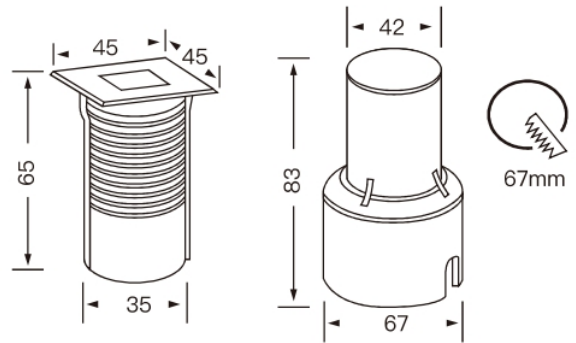


- PWM
- IP67
- DALI
- RoHS
- DMX 512
- CE
- 1-10V
- Triac

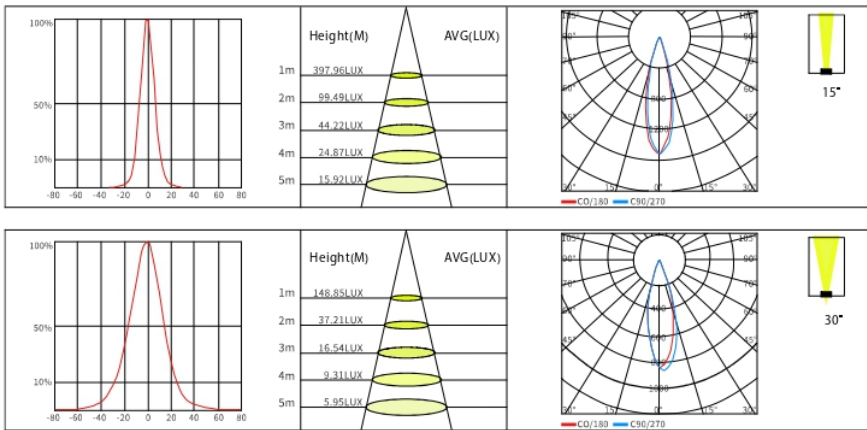
Features

- Body composition ADC12! high density aluminum alloy, outdoor powder coated
Hard chrome plated stainless steel SUS 316# for front cover
- Lens PMMA, Up to 90% efficiency
- Diffuser 8mm tempered glass
- IP rated IP67 for inground application
- Lighting Engine CREE/Osram/Epistar
- Ambient Temp. -20°C~45°C
- Accessories ABS mounting sleeve
- Wires Rubber 2X1mm²、3X1mm²、2X1+3X0.5mm²
- Working method on/off、DMX512、Triac、PWM、1-10V

Dimension(mm)



Typical Photometric



Light Throw

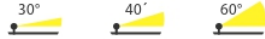


Model	Class	Input Volt	Watt	CCT	Beam Angle	LED Qty	Working Method	Body Composition	Diffuser	IP
YH-D111814	Linear Inground	DC24V	1W 3W	3000K 4000K RGB	120°	1pcs	On/Off DMX512 PWM Triac 1-10V	ADC12# AL	Tempered Glass	IP67



High Power COB Inground Light

YH+D111815



PWM

IP67

DALI

RoHS

DMX
512



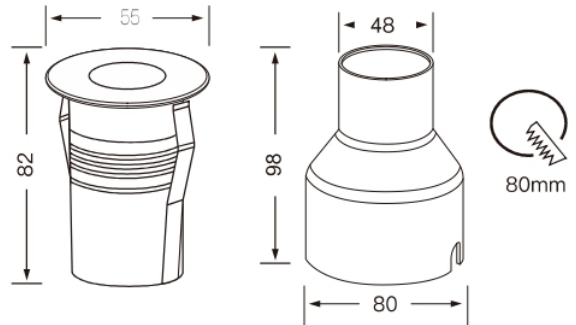
1-10V

Triac

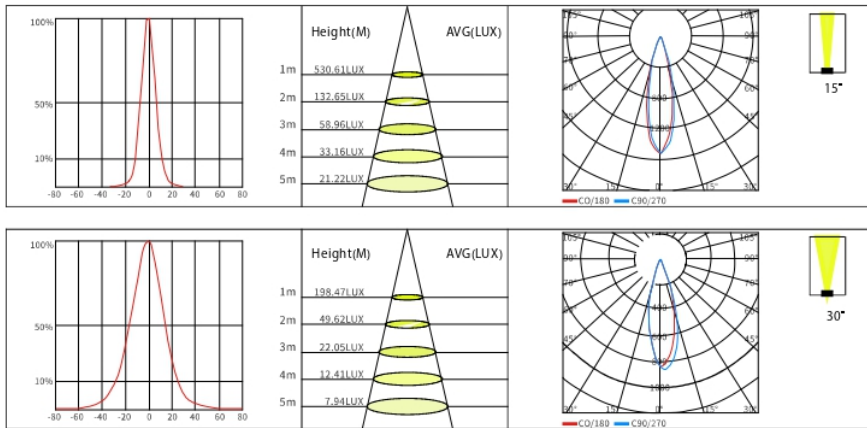
Features

- Body composition ADC12! high density aluminum alloy, outdoor powder coated
Hard chrome plated stainless steel SUS 316# for front cover
- Lens PMMA, Up to 90% efficiency
- Diffuser 8mm tempered glass
- IP rated IP67 for inground application
- Lighting Engine CREE/Osram/Epistar
- Ambient Temp. -20°C~45°C
- Accessories ABS mounting sleeve
- Wires Rubber 2X1mm²、3X1mm²、2X1+3X0.5mm²
- Working method on/off、DMX512、Triac、PWM、1-10V

Dimension(mm)



Typical Photometric



Light Throw



Model	Class	Input Volt	Watt	CCT	Beam Angle	LED Qty	Working Method	Body Composition	Diffuser	IP
YH-D111815	Linear Inground	DC24V	2W 3W 4W	3000K 4000K RGB RGBW	30°/40°/60°	1pcs	On/Off DMX512 PWM Triac 1-10V	ADC12# AL	Tempered Glass	IP67



High Power COB Inground Light

YH+D111815



PWM

IP67

DALI

RoHS

DMX
512



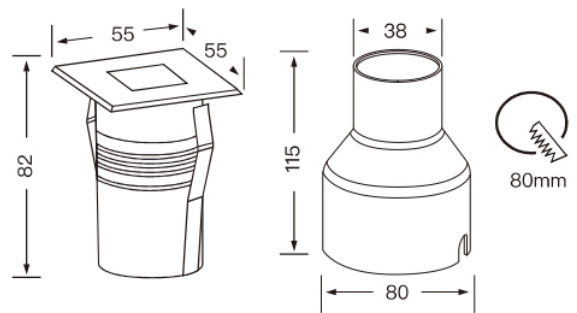
1-10V

Triac

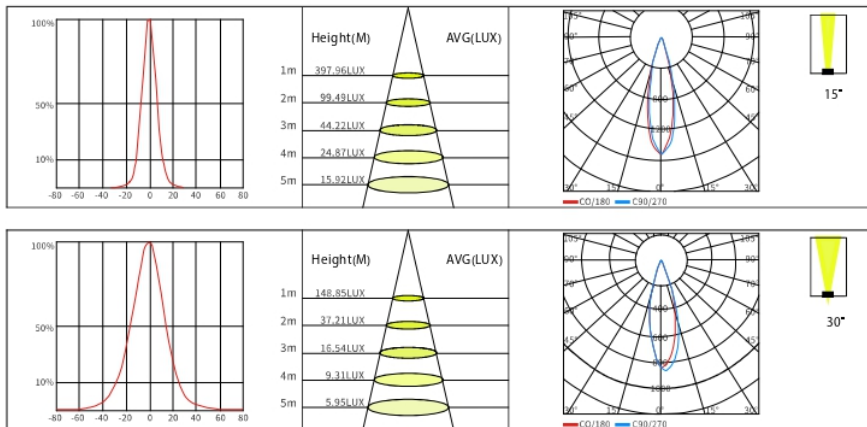
Features

- Body composition ADC12! high density aluminum alloy, outdoor powder coated
Hard chrome plated stainless steel SUS 316# for front cover
- Lens PMMA, Up to 90% efficiency
- Diffuser 8mm tempered glass
- IP rated IP67 for inground application
- Lighting Engine CREE/Osram/Epistar
- Ambient Temp. -20°C~45°C
- Accessories ABS mounting sleeve
- Wires Rubber 2X1mm²、3X1mm²、2X1+3X0.5mm²
- Working method on/off、DMX512、Triac、PWM、1-10V

Dimension(mm)



Typical Photometric



Light Throw



Model	Class	Input Volt	Watt	CCT	Beam Angle	LED Qty	Working Method	Body Composition	Diffuser	IP
YH-D111816	Linear Inground	DC24V	2W 3W 4W	3000K 4000K RGB RGBW	120°	1pcs	On/Off DMX512 PWM Triac 1-10V	ADC12# AL	Tempered Glass	IP67



High Power COB Inground Light

YH+D111928

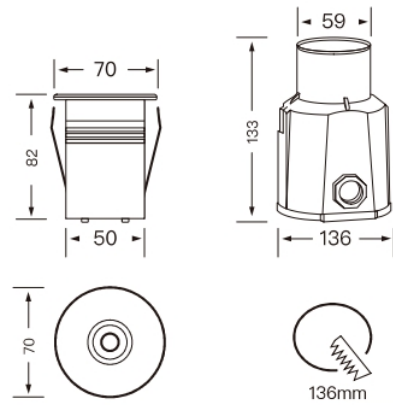


- PWM
- IP67
- DALI
- RoHS
- DMX 512
- CE
- 1-10V
- Triac

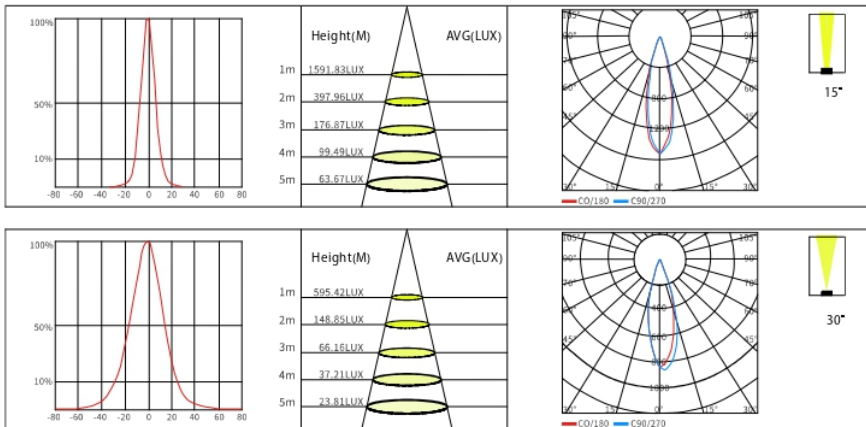
Features

- Body composition** ADC12! high density aluminum alloy, outdoor powder coated
Hard chrome plated stainless steel SUS 316# for front cover
- Lens** PMMA, Up to 90% efficiency
- Diffuser** 8mm tempered glass
- IP rated** IP67 for inground application
- Lighting Engine** CREE/Osram/Epistar
- Ambient Temp.** -20°C~45°C
- Accessories** ABS mounting sleeve
- Wires** Rubber 2X1mm²、3X1mm²、2X1+3X0.5mm²
- Working method** on/off、DMX512、Triac、PWM、1-10V

Dimension(mm)



Typical Photometric



Light Throw



Model	Class	Input Volt	Watt	CCT	Beam Angle	LED Qty	Working Method	Body Composition	Diffuser	IP
YH-D111928	Linear Inground	DC24V AC220V	6W	3000K 4000K	18°/24°/38° 60°	1pcs	On/Off DMX512 PWM Triac 1-10V	ADC12# AL	Tempered Glass	IP67



High Power COB Inground Light

YH+D111929



PWM

IP67

DALI

RoHS

DMX
512



1-10V

Triac

Features

Body composition ADC12! high density aluminum alloy, outdoor powder coated
Hard chrome plated stainless steel SUS 316# for front cover

Lens PMMA, Up to 90% efficiency

Diffuser 8mm tempered glass

IP rated IP67 for inground application

Lighting Engine CREE/Osram/Epistar

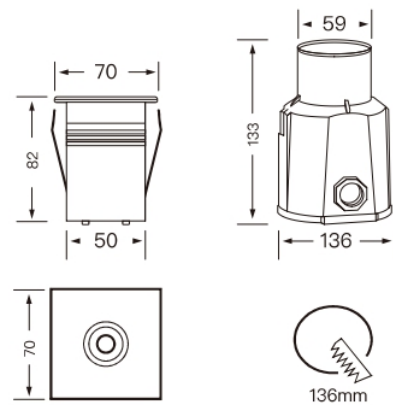
Ambient Temp. -20°C~45°C

Accessories ABS mounting sleeve

Wires Rubber 2X1mm²、3X1mm²、2X1+3X0.5mm²

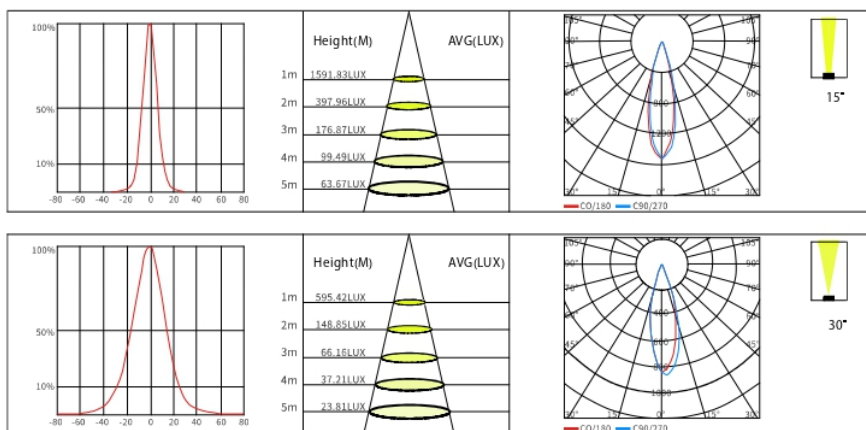
Working method on/off、DMX512、Triac、PWM、1-10V

Dimension(mm)



Light Throw

Typical Photometric



Model	Class	Input Volt	Watt	CCT	Beam Angle	LED Qty	Working Method	Body Composition	Diffuser	IP
YH-D111929	Linear Inground	DC24V AC220V	6W	3000K 4000K	18°/24°/38° 60°	1pcs	On/Off DMX512 PWM Triac 1-10V	ADC12# AL	Tempered Glass	IP67



High Power COB Inground Light

YH-L112311

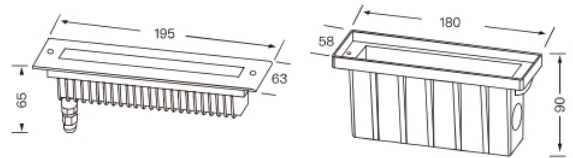


- PWM
- IP67
- DALI
- RoHS
- DMX 512
- CE
- 1-10V
- Triac

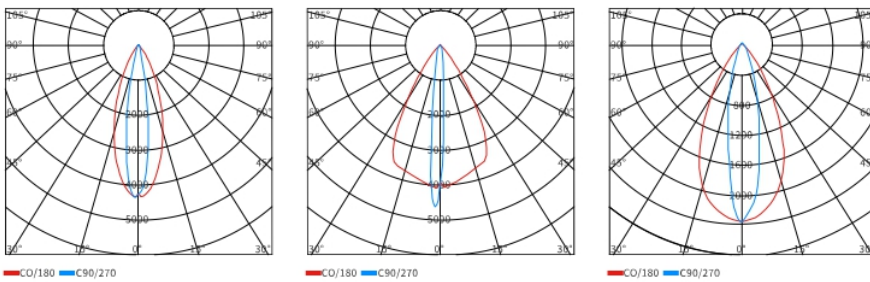
Features

- Body composition ADC12! high density aluminum alloy, outdoor powder coated
Hard chrome plated stainless steel SUS 316# for front cover
- Lens PMMA, Up to 90% efficiency
- Diffuser 8mm tempered glass
- IP rated IP67 for inground application
- Lighting Engine CREE/Osram/Epistar
- Ambient Temp. -20°C~45°C
- Accessories ABS mounting sleeve
- Wires Rubber 2X1mm²、3X1mm²、2X1+3X0.5mm²
- Working method on/off、DMX512、Triac、PWM、1-10V

Dimension(mm)



Typical Photometric



Light Throw



Model	Class	Input Volt	Watt	CCT	Beam Angle	LED Qty	Working Method	Body Composition	Diffuser	IP
YH-L112311	Linear Inground	DC24V	6W 9W 12W	3000K 4000K RGB RGBW	8°/15°/30° 40°/60°/120°	3pcs	On/Off DMX512 PWM Triac 1-10V	ADC12# AL	Tempered Glass	IP67



High Power COB Inground Light

YH-L112312

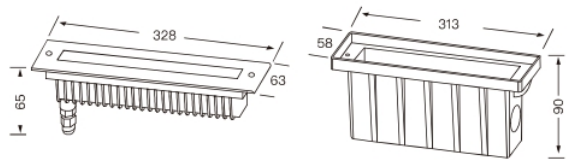


- PWM
- IP67
- DALI
- RoHS
- DMX 512
- CE
- 1-10V
- Triac

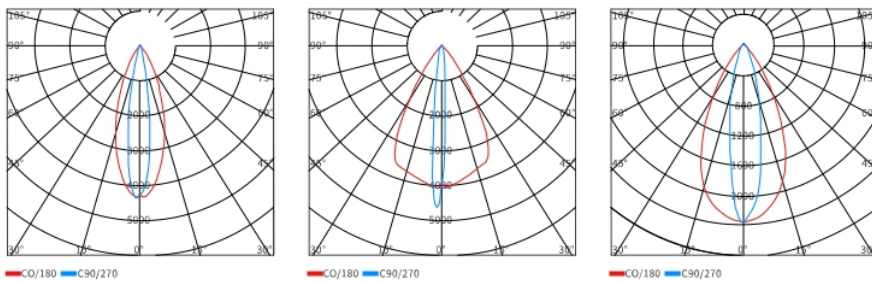
Features

- Body composition ADC12! high density aluminum alloy, outdoor powder coated
Hard chrome plated stainless steel SUS 316# for front cover
- Lens PMMA, Up to 90% efficiency
- Diffuser 8mm tempered glass
- IP rated IP67 for inground application
- Lighting Engine CREE/Osram/Epistar
- Ambient Temp. -20°C~45°C
- Accessories ABS mounting sleeve
- Wires Rubber 2X1mm²、3X1mm²、2X1+3X0.5mm²
- Working method on/off、DMX512、Triac、PWM、1-10V

Dimension(mm)



Typical Photometric



Light Throw



Model	Class	Input Volt	Watt	CCT	Beam Angle	LED Qty	Working Method	Body Composition	Diffuser	IP
YH-L112312	Linear Inground	DC24V	12W 18W 24W	3000K 4000K RGB RGBW	8°/15°/30° 40°/60°/120°	6pcs	On/Off DMX512 PWM Triac 1-10V	ADC12# AL	Tempered Glass	IP67



High Power COB Inground Light

YH+D111911



PWM

IP67

DALI

RoHS

DMX
512



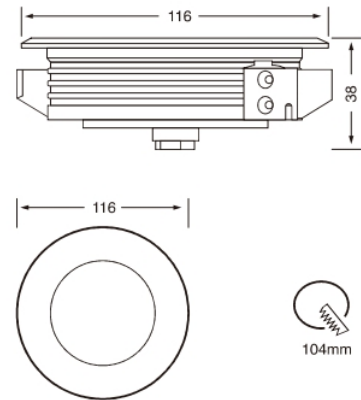
1-10V

Triac

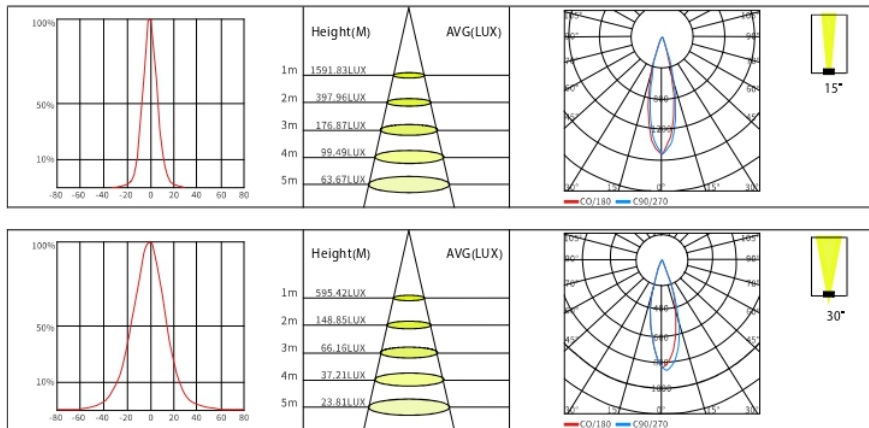
Features

- Body composition ADC12! high density aluminum alloy, outdoor powder coated
Hard chrome plated stainless steel SUS 316# for front cover
- Lens PMMA, Up to 90% efficiency
- Diffuser 8mm tempered glass
- IP rated IP67 for inground application
- Lighting Engine CREE/Osram/Epistar
- Ambient Temp. -20°C~45°C
- Accessories ABS mounting sleeve
- Wires Rubber 2X1mm²、3X1mm²、2X1+3X0.5mm²
- Working method on/off、DMX512、Triac、PWM、1-10V

Dimension(mm)



Typical Photometric



Light Throw



Model	Class	Input Volt	Watt	CCT	Beam Angle	LED Qty	Working Method	Body Composition	Diffuser	IP
YH-D111911	Linear Inground	DC24V AC220V	6W	3000K 4000K	8°/15°/30° 40°/60°	3pcs	On/Off DMX512 PWM Triac 1-10V	ADC12# AL	Tempered Glass	IP67

High Power COB Inground Light



YH+D111914



PWM

IP67

DALI

RoHS

DMX
512

CE

1-10V

Triac

Features

Body composition ADC12! high density aluminum alloy, outdoor powder coated
Hard chrome plated stainless steel SUS 316# for front cover

Lens PMMA, Up to 90% efficiency

Diffuser 8mm tempered glass

IP rated IP67 for inground application

Lighting Engine CREE/Osram/Epistar

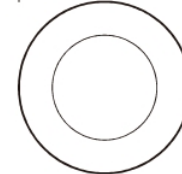
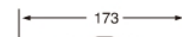
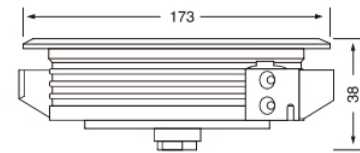
Ambient Temp. -20°C~45°C

Accessories ABS mounting sleeve

Wires Rubber 2X1mm²、3X1mm²、2X1+3X0.5mm²

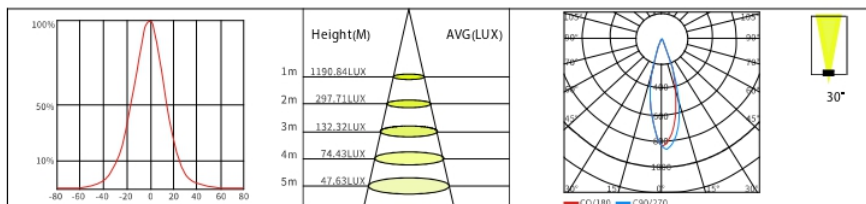
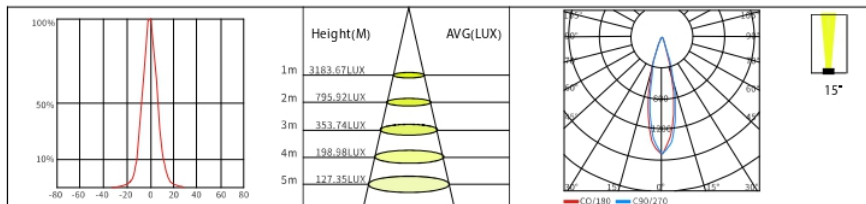
Working method on/off、DMX512、Triac、PWM、1-10V

Dimension(mm)



Light Throw

Typical Photometric



Model	Class	Input Volt	Watt	CCT	Beam Angle	LED Qty	Working Method	Body Composition	Diffuser	IP
YH-D111914	Linear Inground	DC24V AC220V	12W	3000K 4000K	8°/15°/30° 40°/60°	6pcs	On/Off DMX512 PWM Triac 1-10V	ADC12# AL	Tempered Glass	IP67



High Power COB Inground Light

YH+D111916



PWM

IP67

DALI

RoHS

DMX
512

CE

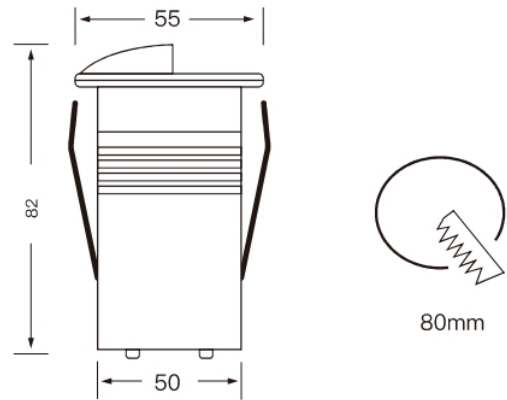
1-10V

Triac

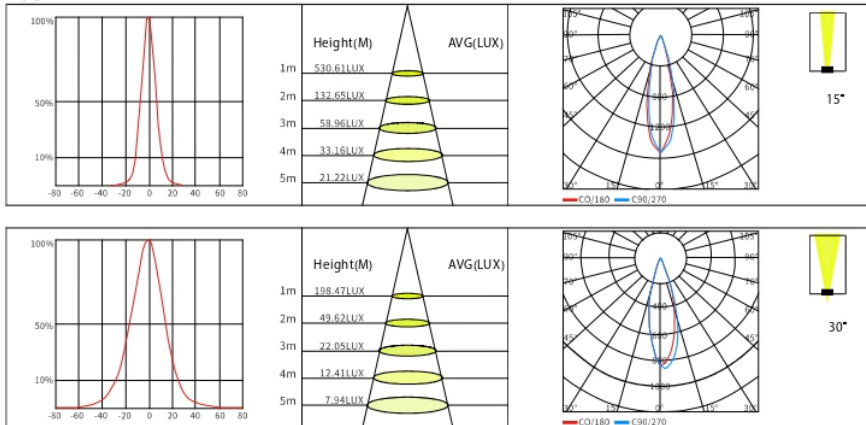
Features

- Body composition ADC12! high density aluminum alloy, outdoor powder coated
Hard chrome plated stainless steel SUS 316# for front cover
- Lens PMMA, Up to 90% efficiency
- Diffuser 8mm tempered glass
- IP rated IP67 for inground application
- Lighting Engine CREE/Osram/Epistar
- Ambient Temp. -20°C~45°C
- Accessories ABS mounting sleeve
- Wires Rubber 2X1mm²、3X1mm²、2X1+3X0.5mm²
- Working method on/off、DMX512、Triac、PWM、1-10V

Dimension(mm)



Typical Photometric



Light Throw



Model	Class	Input Volt	Watt	CCT	Beam Angle	LED Qty	Working Method	Body Composition	Diffuser	IP
YH-D111916	Linear Inground	DC24V AC220V	2W	3000K 4000K	15°/25°/40° 60°	1pcs	On/Off DMX512 PWM Triac 1-10V	ADC12# AL	Tempered Glass	IP67



High Power COB Inground Light

YH+D111917

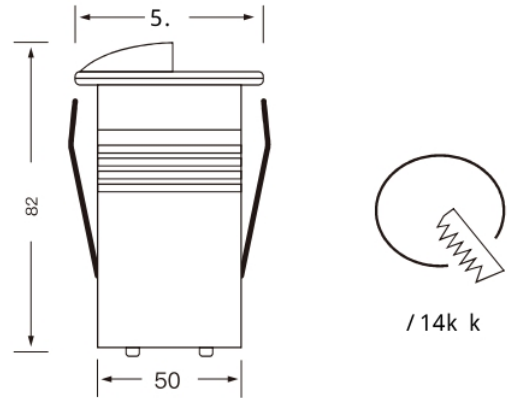


- PWM
- IP67
- DALI
- RoHS
- DMX 512
- CE
- 1-10V
- Triac

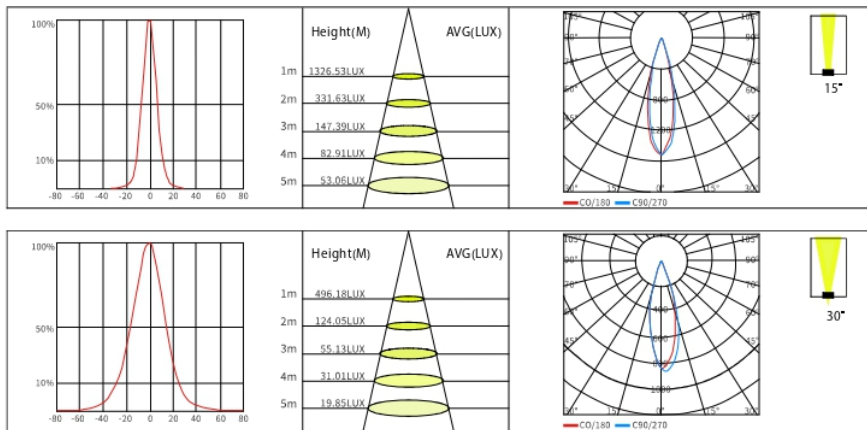
Features

- Body composition ADC12! high density aluminum alloy, outdoor powder coated
Hard chrome plated stainless steel SUS 316# for front cover
- Lens PMMA, Up to 90% efficiency
- Diffuser 8mm tempered glass
- IP rated IP67 for inground application
- Lighting Engine CREE/Osram/Epistar
- Ambient Temp. -20°C~45°C
- Accessories ABS mounting sleeve
- Wires Rubber 2X1mm²、3X1mm²、2X1+3X0.5mm²
- Working method on/off、DMX512、Triac、PWM、1-10V

Dimension(mm)



Typical Photometric



Light Throw



Model	Class	Input Volt	Watt	CCT	Beam Angle	LED Qty	Working Method	Body Composition	Diffuser	IP
YH-D111917	Linear Inground	DC24V AC220V	5W	3000K 4000K	15°/25°/40° 60°	1pcs	On/Off DMX512 PWM Triac 1-10V	ADC12# AL	Tempered Glass	IP67



High Power COB Inground Light

YH+D111918

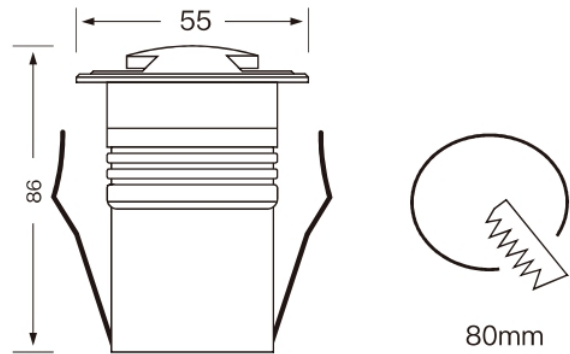


- PWM
- IP67
- DALI
- RoHS
- DMX 512
- CE
- 1-10V
- Triac

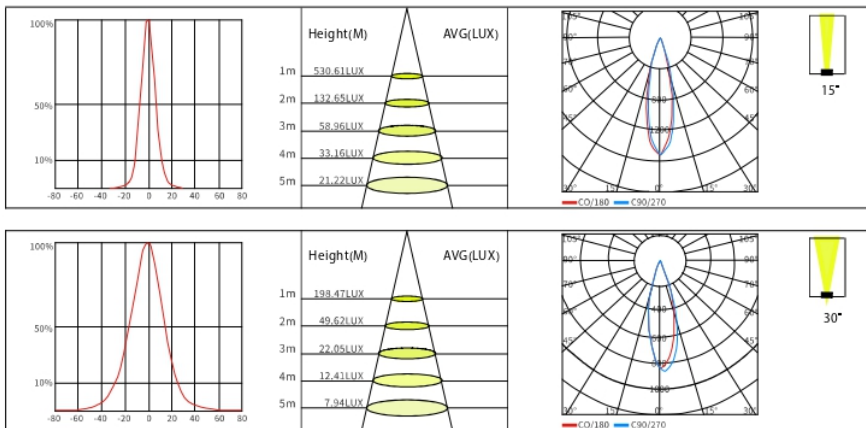
Features

- Body composition** ADC12! high density aluminum alloy, outdoor powder coated
Hard chrome plated stainless steel SUS 316# for front cover
- Lens** PMMA, Up to 90% efficiency
- Diffuser** 8mm tempered glass
- IP rated** IP67 for inground application
- Lighting Engine** CREE/Osram/Epistar
- Ambient Temp.** -20°C~45°C
- Accessories** ABS mounting sleeve
- Wires** Rubber 2X1mm²、3X1mm²、2X1+3X0.5mm²
- Working method** on/off、DMX512、Triac、PWM、1-10V

Dimension(mm)



Typical Photometric



Light Throw



Model	Class	Input Volt	Watt	CCT	Beam Angle	LED Qty	Working Method	Body Composition	Diffuser	IP
YH-D111918	Linear Inground	DC24V AC220V	2W	3000K 4000K	120°	1pcs	On/Off DMX512 PWM Triac 1-10V	ADC12# AL	Tempered Glass	IP67



High Power COB Inground Light

YH+D111922

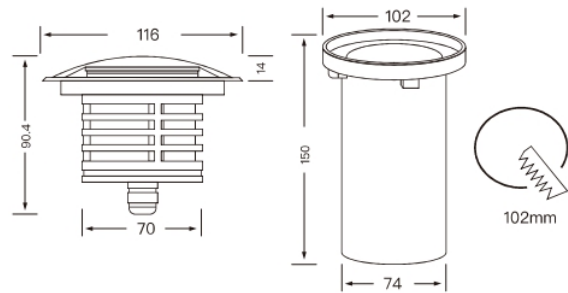


- PWM
- IP67
- DALI
- RoHS
- DMX 512
- CE
- 1-10V
- Triac

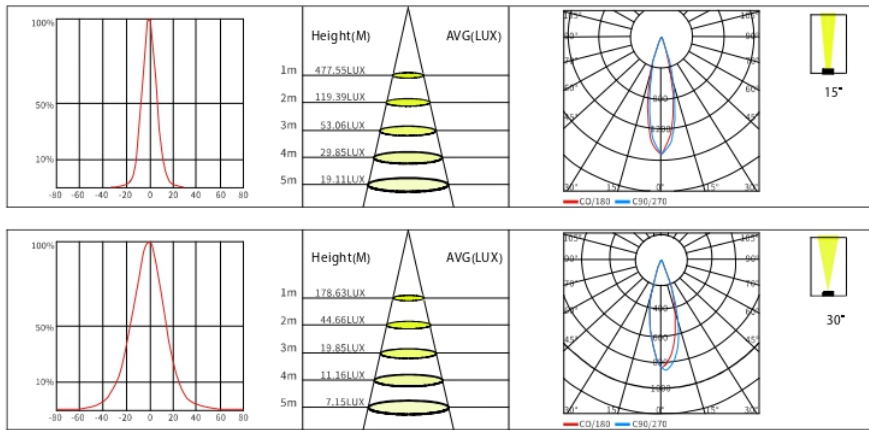
Features

- Body composition ADC12! high density aluminum alloy, outdoor powder coated
Hard chrome plated stainless steel SUS 316# for front cover
- Lens PMMA, Up to 90% efficiency
- Diffuser 8mm tempered glass
- IP rated IP67 for inground application
- Lighting Engine CREE/Osram/Epistar
- Ambient Temp. -20°C~45°C
- Accessories ABS mounting sleeve
- Wires Rubber 2X1mm²、3X1mm²、2X1+3X0.5mm²
- Working method on/off、DMX512、Triac、PWM、1-10V

Dimension(mm)



Typical Photometric



Light Throw



Model	Class	Input Volt	Watt	CCT	Beam Angle	LED Qty	Working Method	Body Composition	Diffuser	IP
YH-D111917	Linear Inground	DC24V AC220V	1.8W	3000K 4000K	120°	6pcs	On/Off DMX512 PWM Triac 1-10V	ADC12# AL	Tempered Glass	IP67



High Power COB Inground Light

YH+D111925

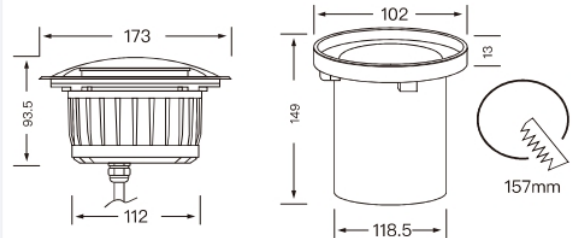


- PWM
- IP67
- DALI
- RoHS
- DMX 512
- CE
- 1-10V
- Triac

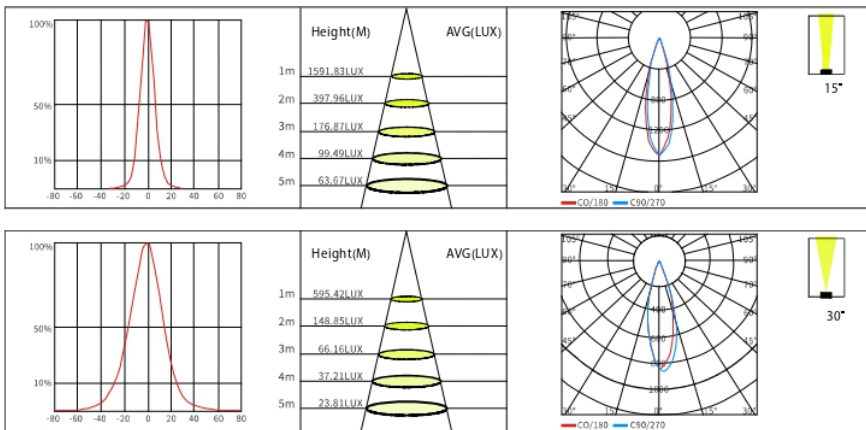
Features

- Body composition** ADC12! high density aluminum alloy, outdoor powder coated
Hard chrome plated stainless steel SUS 316# for front cover
- Lens** PMMA, Up to 90% efficiency
- Diffuser** 8mm tempered glass
- IP rated** IP67 for inground application
- Lighting Engine** CREE/Osram/Epistar
- Ambient Temp.** -20°C~45°C
- Accessories** ABS mounting sleeve
- Wires** Rubber 2X1mm²、3X1mm²、2X1+3X0.5mm²
- Working method** on/off、DMX512、Triac、PWM、1-10V

Dimension(mm)



Typical Photometric



Light Throw



Model	Class	Input Volt	Watt	CCT	Beam Angle	LED Qty	Working Method	Body Composition	Diffuser	IP
YH-D111925	Linear Inground	DC24V AC220V	6W	3000K 4000K	120°	24pcs	On/Off DMX512 PWM Triac 1-10V	ADC12# AL	Tempered Glass	IP67



LED Linear Inground Lamps Robust&Elegant

- PWM
- IP66
- DALI
- RoHS
- DMX 512
- CE
- 1-10V
- Triac

YH-D112002

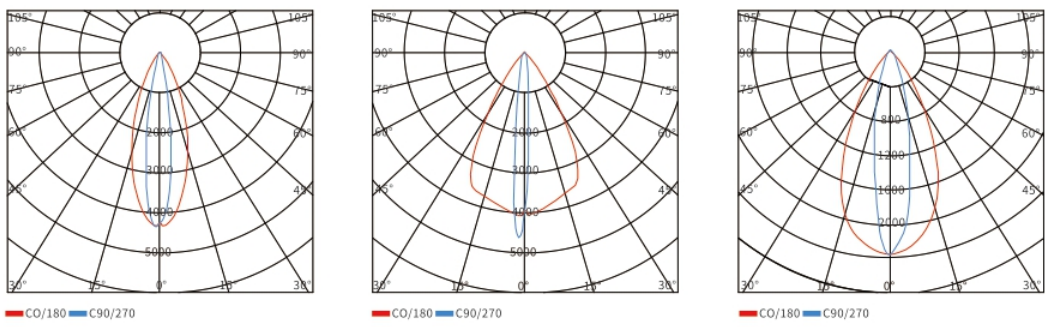


Features

- Body composition AL solid extruded body, outdoor powder coated
Hard chrome plated stainless steel SUS 316# for front cover
- Lens PMMA, Up to 90% efficiency
- Diffuser 10mm tempered glass
- IP rating IP66
- Lighting Engine CREE/Osram/Epistar
- Ambient Temp. -20°C~45°C
- Accessories AL mounting sleeve
- Wires Rubber 2X1mm², 3X1mm², 2X1+3X0.5mm²
- Working method on/off, DMX512, Triac, PWM, 1-10V

Dimension(mm)

Typical Photometric



Light Throw

Model	Class	Input Volt	Watt	CCT	Beam Angle	LED Qty	Typical Lumen Data	IK Rated	SDCM	CRI
YH-D112002	Linear Inground	DC24V AC220V	18.6W 35W 55W	3200K 4000K 5000K RGB RGBW	8° 12° 15° 30° 45° 60° 10°-60°	24	@3000K 60lm/w 1116lm/m/18.6w 2100lm/m/35w 3300lm/m/55w	Ik10	3	80



Recessed underwater Light

- DMX 512
- IP66
- PWM
- RoHS
- DALI
- CE
- 1-10V
- Triac

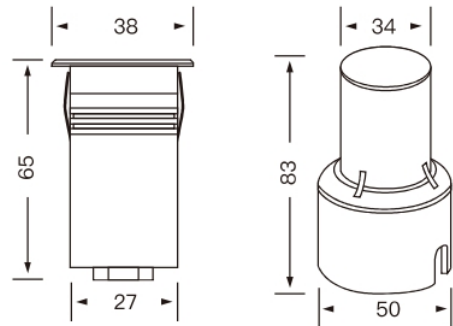
YH+D111930



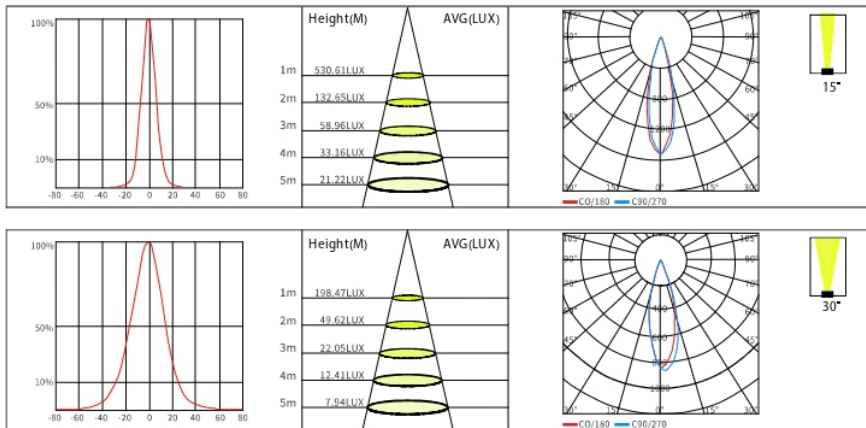
Features

- Body composition: Hard chrome plated stainless steel SUS 316#
- Lens: PMMA, Up to 90% efficiency
- Diffuser: 8mm tempered glass
- IP rated: IP68 for underwater application
- Lighting Engine: CREE/Osram/Epistar
- Ambient Temp.: -20°C~45°C
- Accessories: ABS mounting sleeve
- Wires: Rubber 2X1mm², 3X1mm², 2X1+3X0.5mm²
- Working method: on/off, DMX512, Triac, PWM, 1-10V

Dimension(mm)



Typical Photometric



Light Throw



Model	Class	Input Volt	Watt	CCT	Beam Angle	LED Qty	Working Method	Body Composition	Diffuser	IP
YH-T111930	Underwater Lamp	DC24V	1.5W	3000K 4000K	25°/30°/40° 60°	1pcs	On/Off DMX512 PWM Triac 1-10V	Steel316#	Tempered Glass	IP68



Recessed underwater Light

- DMX 512
- IP68
- PWM
- RoHS
- DALI
- CE
- 1-10V
- Triac

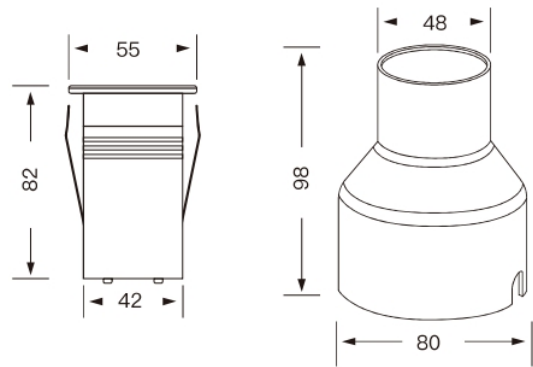
YH+D111931



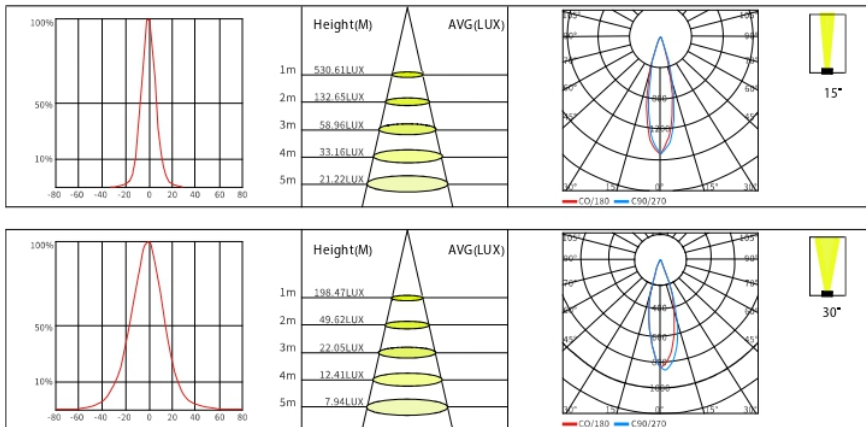
Features

- Body composition: Hard chromeplated stainless steel SUS 316#
- Lens: PMMA, Up to 90% efficiency
- Diffuser: 8mm tempered glass
- IP rated: IP68 for underwater application
- Lighting Engine: CREE/Osram/Epistar
- Ambient Temp.: -20°C~45°C
- Accessories: ABS mounting sleeve
- Wires: Rubber 2X1mm²、3X1mm²、2X1+3X0.5mm²
- Working method: on/off、DMX512、Triac、PWM、1-10V

Dimension(mm)



Typical Photometric



Light Throw



Model	Class	Input Volt	Watt	CCT	Beam Angle	LED Qty	Working Method	Body Composition	Diffuser	IP
YH-T111931	Underwater Lamp	DC24V	2W	3000K 4000K	25°/30°/40° 60°	1pcs	On/Off DMX512 PWM Triac 1-10V	Steel316#	Tempered Glass	IP68



Recessed underwater Light

- DMX 512
- IP66
- PWM
- RoHS
- DALI
- CE
- 1-10V
- Triac

YH+D111932



Features

Body composition Hard chrome plated stainless steel SUS 316#

Lens PMMA, Up to 90% efficiency

Diffuser 8mm tempered glass

IP rated IP68 for underwater application

Lighting Engine CREE/Osram/Epistar

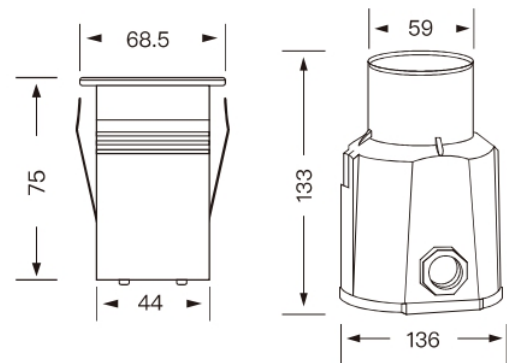
Ambient Temp. -20°C~45°C

Accessories ABS mounting sleeve

Wires Rubber 2X1mm²、3X1mm²、2X1+3X0.5mm²

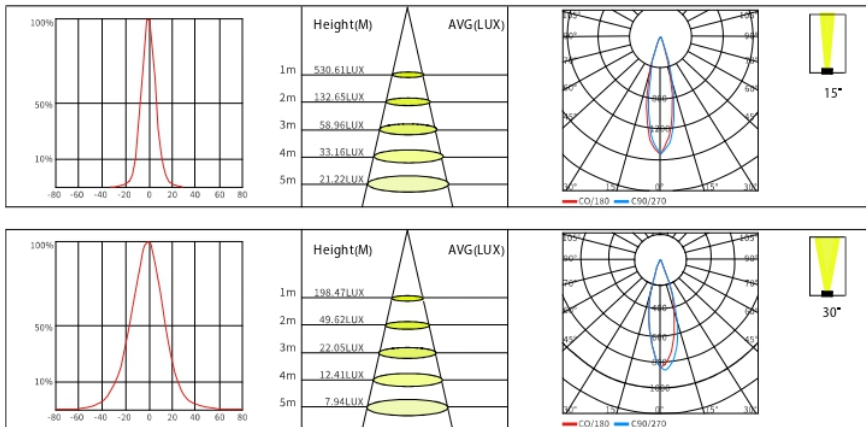
Working method on/off、DMX512、Triac、PWM、1-10V

Dimension(mm)



Light Throw

Typical Photometric



Model	Class	Input Volt	Watt	CCT	Beam Angle	LED Qty	Working Method	Body Composition	Diffuser	IP
YH-T111932	Underwater Lamp	DC24V	2W	3000K 4000K	25°/30°/40° 60°	1pcs	On/Off DMX512 PWM Triac 1-10V	Steel316#	Tempered Glass	IP68

Recessed underwater Light



YH+D111935



DMX
512

IP66

PWM

RoHS

DALI

CE

1-10V

Triac

Features

Body composition Hard chromeplated stainless steel SUS 316#

Lens PMMA, Up to 90% efficiency

Diffuser 8mm tempered glass

IP rated IP68 for underwater application

Lighting Engine CREE/Osram/Epistar

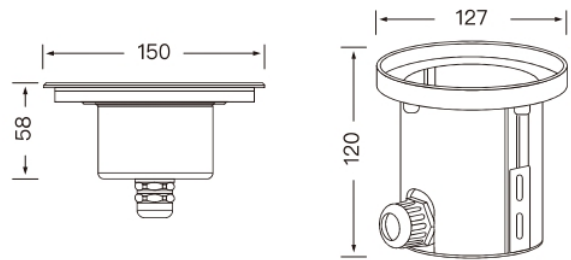
Ambient Temp. -20°C~45°C

Accessories ABS mounting sleeve

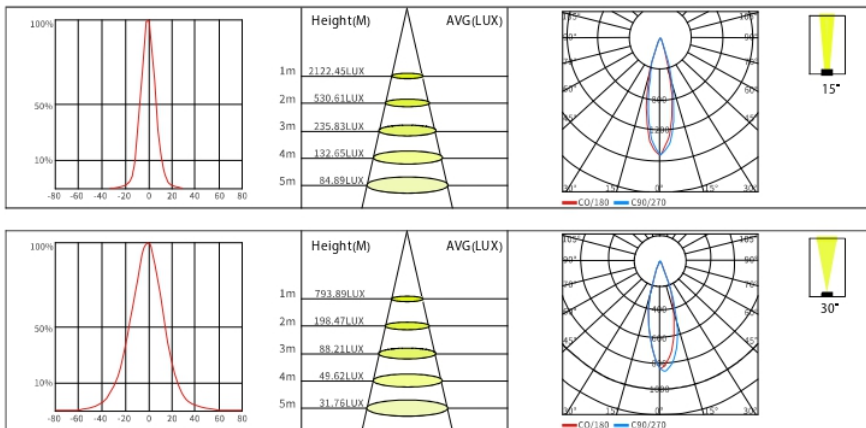
Wires Rubber 2X1mm²、3X1mm²、2X1+3X0.5mm²

Working method on/off、DMX512、Triac、PWM、1-10V

Dimension(mm)



Typical Photometric



Light Throw



Model	Class	Input Volt	Watt	CCT	Beam Angle	LED Qty	Working Method	Body Composition	Diffuser	IP
YH-T111935	Underwater Lamp	DC24V	8W 12W 16W	3000K 4000K RGB RGBW	25°/30°/40° 60°	4pcs	On/Off DMX512 PWM Triac 1-10V	Steel316#	Tempered Glass	IP68

Recessed underwater Light



YH+D111936



DMX
512

IP66

PWM

RoHS

DALI



1-10V

Triac

Features

Body composition Hard chrome plated stainless steel SUS 316#

Lens PMMA, Up to 90% efficiency

Diffuser 8mm tempered glass

IP rated IP68 for underwater application

Lighting Engine CREE/Osram/Epistar

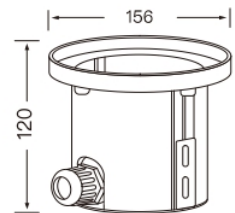
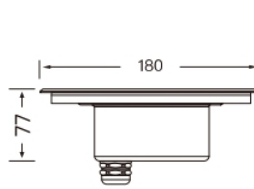
Ambient Temp. -20°C~45°C

Accessories ABS mounting sleeve

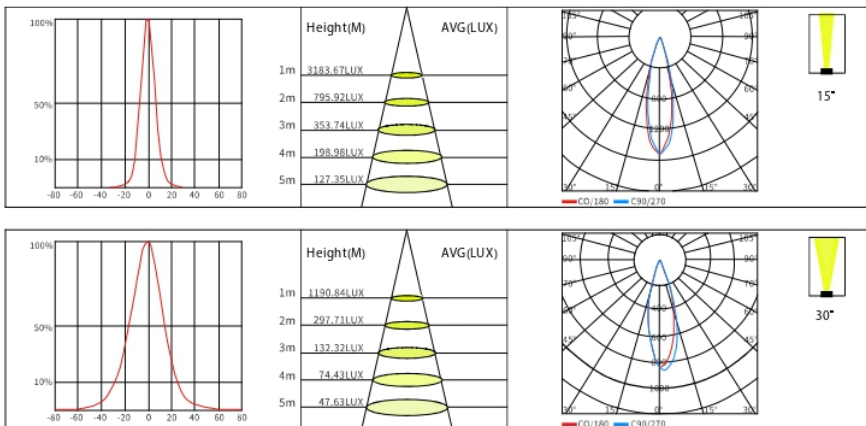
Wires Rubber 2X1mm², 3X1mm², 2X1+3X0.5mm²

Working method on/off, DMX512, Triac, PWM, 1-10V

Dimension(mm)



Typical Photometric



Light Throw



Model	Class	Input Volt	Watt	CCT	Beam Angle	LED Qty	Working Method	Body Composition	Diffuser	IP
YH-T111936	Underwater Lamp	DC24V	12W 18W 24W	3000K 4000K RGB RGBW	25°/30°/40° 60°	6pcs	On/Off DMX512 PWM Triac 1-10V	Steel316#	Tempered Glass	IP68

Recessed underwater Light



YH+D111941



DMX
512

IP66

PWM

RoHS

DALI



1-10V

Triac

Features

Body composition Hard chrome plated stainless steel SUS 316#

Lens PMMA, Up to 90% efficiency

Diffuser 8mm tempered glass

IP rated IP68 for underwater application

Lighting Engine CREE/Osram/Epistar

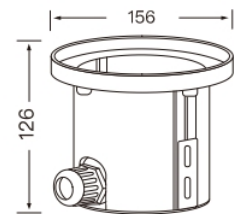
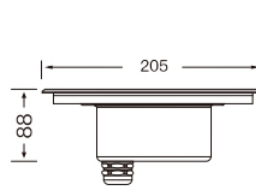
Ambient Temp. -20°C~45°C

Accessories ABS mounting sleeve

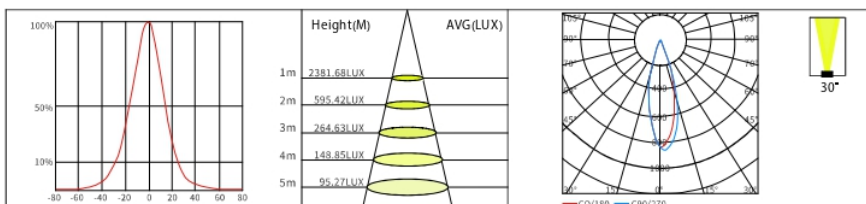
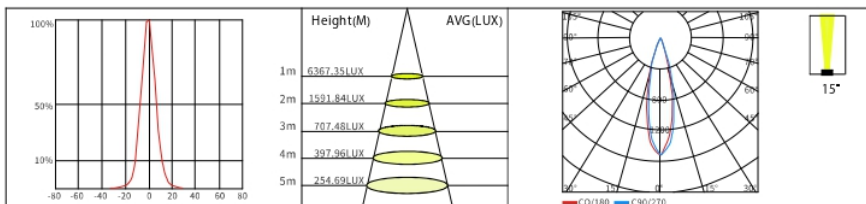
Wires Rubber 2X1mm², 3X1mm², 2X1+3X0.5mm²

Working method on/off, DMX512, Triac, PWM, 1-10V

Dimension(mm)



Typical Photometric



Light Throw



Model	Class	Input Volt	Watt	CCT	Beam Angle	LED Qty	Working Method	Body Composition	Diffuser	IP
YH-T111941	Underwater Lamp	DC24V	24W 36W 48W	3000K 4000K RGB RGBW	25°/30°/40° 60°	12pcs	On/Off DMX512 PWM Triac 1-10V	Steel316#	Tempered Glass	IP68

Recessed underwater Light



YH+D111945



DMX
512

IP68

PWM

RoHS

DALI

CE

1-10V

Triac

Features

Body composition Hard chrome plated stainless steel SUS 316#

Lens PMMA, Up to 90% efficiency

Diffuser 8mm tempered glass

IP rated IP68 for underwater application

Lighting Engine CREE/Osram/Epistar

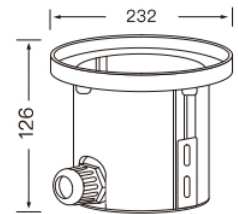
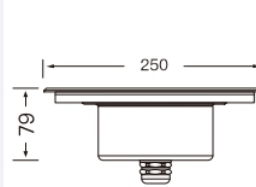
Ambient Temp. -20°C~45°C

Accessories ABS mounting sleeve

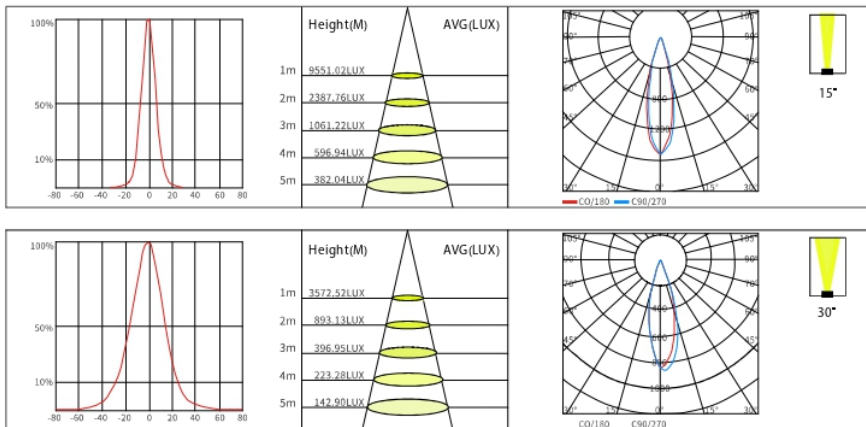
Wires Rubber 2X1mm², 3X1mm², 2X1+3X0.5mm²

Working method on/off, DMX512, Triac, PWM, 1-10V

Dimension(mm)



Typical Photometric



Light Throw



Model	Class	Input Volt	Watt	CCT	Beam Angle	LED Qty	Working Method	Body Composition	Diffuser	IP
YH-T111945	Underwater Lamp	DC24V	36W 54W 72W	3000K 4000K RGB RGBW	25°/30°/40° 60°	18pcs	On/Off DMX512 PWM Triac 1-10V	Steel316#	Tempered Glass	IP68

Recessed underwater Light



YH+D111947



DMX
512

IP68

PWM

RoHS

DALI

CE

1-10V

Triac

Features

Body composition Hard chrome plated stainless steel SUS 316#

Lens PMMA, Up to 90% efficiency

Diffuser 8mm tempered glass

IP rated IP68 for underwater application

Lighting Engine CREE/Osram/Epistar

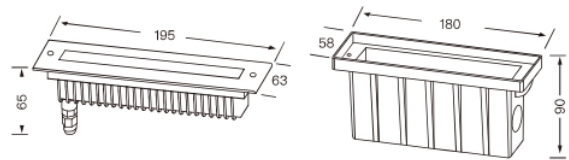
Ambient Temp. -20°C~45°C

Accessories ABS mounting sleeve

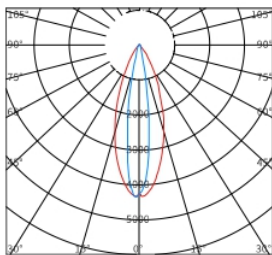
Wires Rubber 2X1mm², 3X1mm², 2X1+3X0.5mm²

Working method on/off, DMX512, Triac, PWM, 1-10V

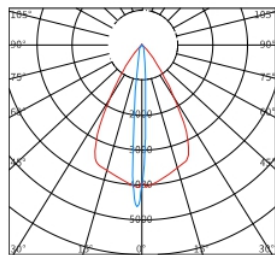
Dimension(mm)



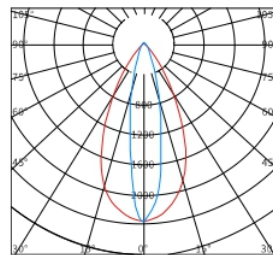
Typical Photometric



CO/180 C90/270



CO/180 C90/270



CO/180 C90/270

Light Throw



Model	Class	Input Volt	Watt	CCT	Beam Angle	LED Qty	Working Method	Body Composition	Diffuser	IP
YH-T111947	Underwater Lamp	DC24V	6W 9W 12W	3000K 4000K RGB RGBW	25°/30°/40° 60°	3pcs	On/Off DMX512 PWM Triac 1-10V	Steel316#	Tempered Glass	IP68



Recessed underwater Light

- DMX 512
- IP66
- PWM
- RoHS
- DALI
- CE
- 1-10V
- Triac

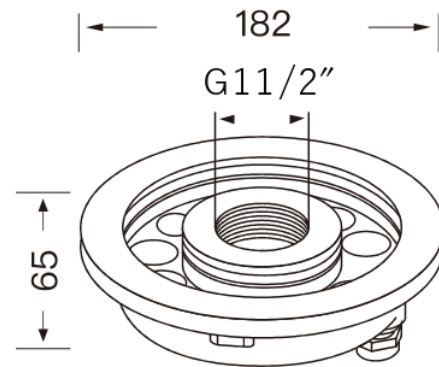
YH+Q112211



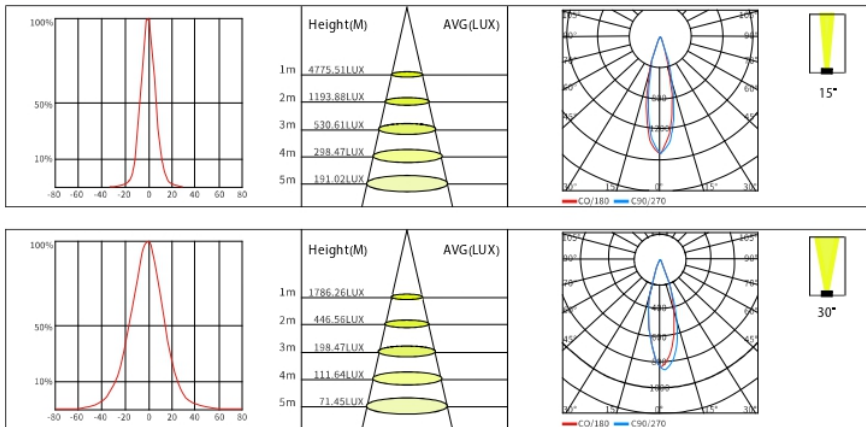
Features

- Body composition: Hard chrome plated stainless steel SUS 316#
- Lens: PMMA, Up to 90% efficiency
- Diffuser: 8mm tempered glass
- IP rated: IP68 for underwater application
- Lighting Engine: CREE/Osram/Epistar
- Ambient Temp.: -20°C~45°C
- Accessories: ABS mounting sleeve
- Wires: Rubber 2X1mm², 3X1mm², 2X1+3X0.5mm²
- Working method: on/off, DMX512, Triac, PWM, 1-10V

Dimension(mm)



Typical Photometric



Light Throw



Model	Class	Input Volt	Watt	CCT	Beam Angle	LED Qty	Working Method	Body Composition	Diffuser	IP
YH-Q112211	Underwater Lamp	DC24V	18W 27W 36W	3000K 4000K RGB RGBW	25°/30°/40° 60°	9pcs	On/Off DMX512 PWM Triac 1-10V	Steel316#	Tempered Glass	IP68

Recessed underwater Light



YH+Q112212



DMX
512

IP68

PWM

RoHS

DALI



1-10V

Triac

Features

Body composition Hard chrome plated stainless steel SUS 316#

Lens PMMA, Up to 90% efficiency

Diffuser 8mm tempered glass

IP rated IP68 for underwater application

Lighting Engine CREE/Osram/Epistar

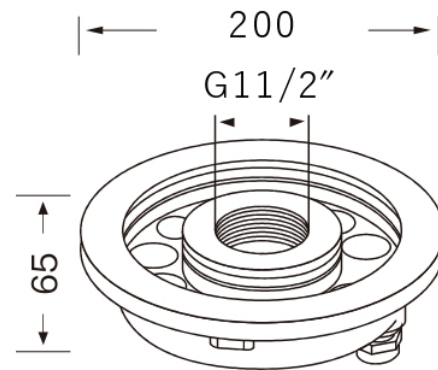
Ambient Temp. -20°C~45°C

Accessories ABS mounting sleeve

Wires Rubber 2X1mm²、3X1mm²、2X1+3X0.5mm²

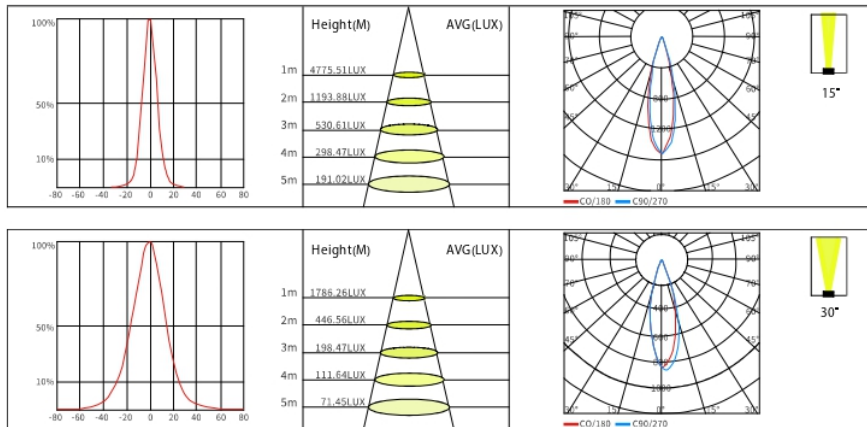
Working method on/off、DMX512、Triac、PWM、1-10V

Dimension(mm)



Light Throw

Typical Photometric



Model	Class	Input Volt	Watt	CCT	Beam Angle	LED Qty	Working Method	Body Composition	Diffuser	IP
YH-Q112212	Underwater Lamp	DC24V	18W 27W 36W	3000K 4000K RGB RGBW	25°/30°/40° 60°	9pcs	On/Off DMX512 PWM Triac 1-10V	Steel316#	Tempered Glass	IP68

Recessed underwater Light



YH+Q112213



DMX
512

IP68

PWM

RoHS

DALI



1-10V

Triac

Features

Body composition Hard chrome plated stainless steel SUS 316#

Lens PMMA, Up to 90% efficiency

Diffuser 8mm tempered glass

IP rated IP68 for underwater application

Lighting Engine CREE/Osram/Epistar

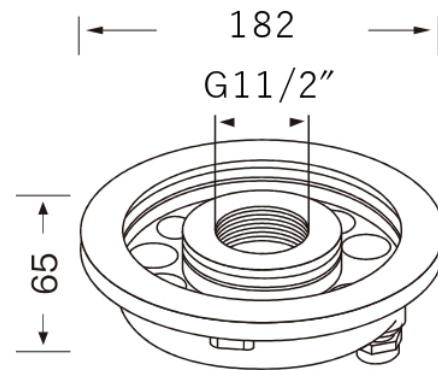
Ambient Temp. -20°C~45°C

Accessories ABS mounting sleeve

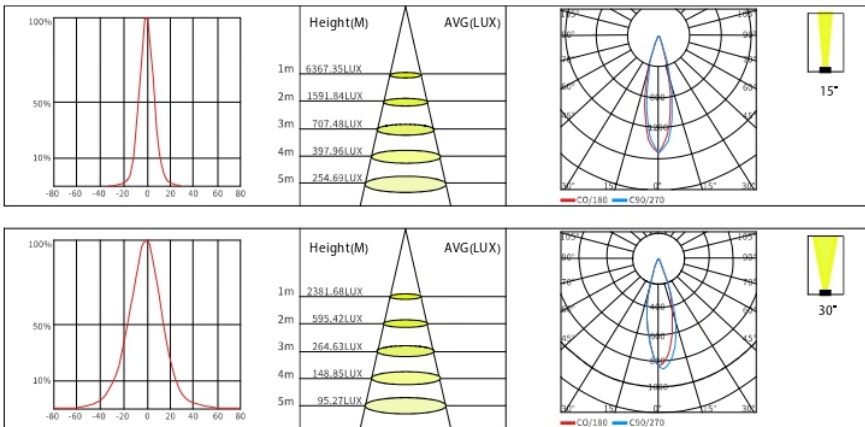
Wires Rubber 2X1mm²、3X1mm²、2X1+3X0.5mm²

Working method on/off、DMX512、Triac、PWM、1-10V

Dimension(mm)



Typical Photometric



Light Throw

Model	Class	Input Volt	Watt	CCT	Beam Angle	LED Qty	Working Method	Body Composition	Diffuser	IP
YH-Q112213	Underwater Lamp	DC24V	24W 36W 48W	3000K 4000K RGB RGBW	25°/30°/40° 60°	12pcs	On/Off DMX512 PWM Triac 1-10V	Steel316#	Tempered Glass	IP68



Recessed underwater Light

YH+Q112214

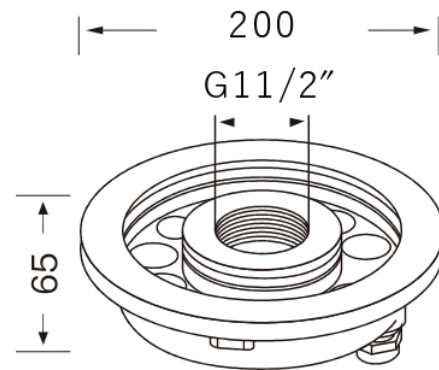


- DMX 512
- IP66
- PWM
- RoHS
- DALI
- CE
- 1-10V
- Triac

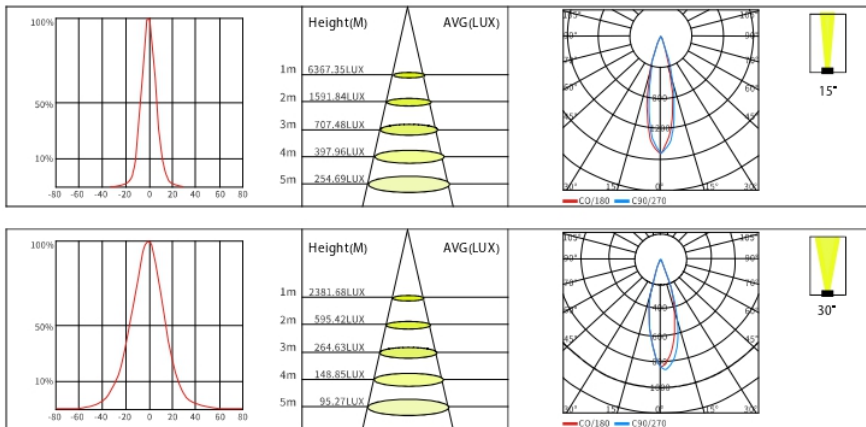
Features

- Body composition: Hard chrome plated stainless steel SUS 316#
- Lens: PMMA, Up to 90% efficiency
- Diffuser: 8mm tempered glass
- IP rated: IP68 for underwater application
- Lighting Engine: CREE/Osram/Epistar
- Ambient Temp.: -20°C~45°C
- Accessories: ABS mounting sleeve
- Wires: Rubber 2X1mm², 3X1mm², 2X1+3X0.5mm²
- Working method: on/off, DMX512, Triac, PWM, 1-10V

Dimension(mm)



Typical Photometric



Light Throw



Model	Class	Input Volt	Watt	CCT	Beam Angle	LED Qty	Working Method	Body Composition	Diffuser	IP
YH-Q112214	Underwater Lamp	DC24V	24W 36W 48W	3000K 4000K RGB RGBW	25°/30°/40° 60°	12pcs	On/Off DMX512 PWM Triac 1-10V	Steel316#	Tempered Glass	IP68



Recessed underwater Light

- DMX 512
- IP66
- PWM
- RoHS
- DALI
- CE
- 1-10V
- Triac

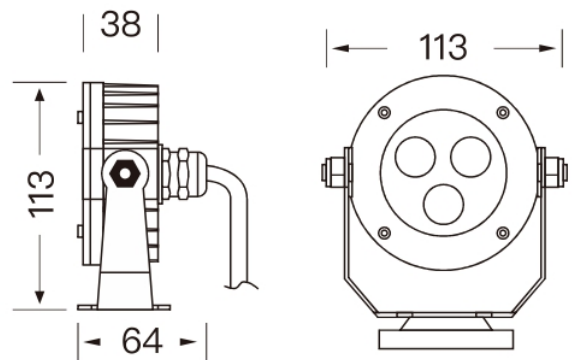
YH+T111114



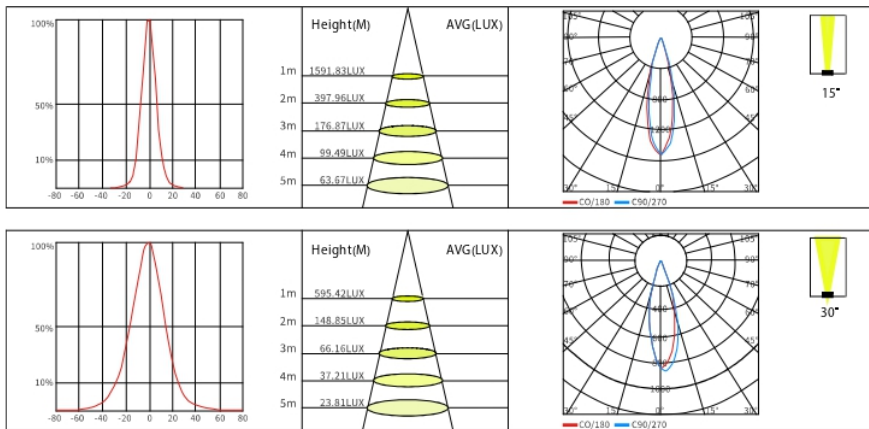
Features

- Body composition: Hard chrome plated stainless steel SUS 316#
- Lens: PMMA, Up to 90% efficiency
- Diffuser: 8mm tempered glass
- IP rated: IP68 for underwater application
- Lighting Engine: CREE/Osram/Epistar
- Ambient Temp.: -20°C~45°C
- Accessories: ABS mounting sleeve
- Wires: Rubber 2X1mm², 3X1mm², 2X1+3X0.5mm²
- Working method: on/off, DMX512, Triac, PWM, 1-10V

Dimension(mm)



Typical Photometric



Light Throw



Model	Class	Input Volt	Watt	CCT	Beam Angle	LED Qty	Working Method	Body Composition	Diffuser	IP
YH-T111114	Underwater Lamp	DC24V	6W 9W 12W	3000K 4000K RGB RGBW	25°/30°/40° 60°	3pcs	On/Off DMX512 PWM Triac 1-10V	Steel316#	Tempered Glass	IP68



Recessed underwater Light

- DMX 512
- IP66
- PWM
- RoHS
- DALI
- CE
- 1-10V
- Triac

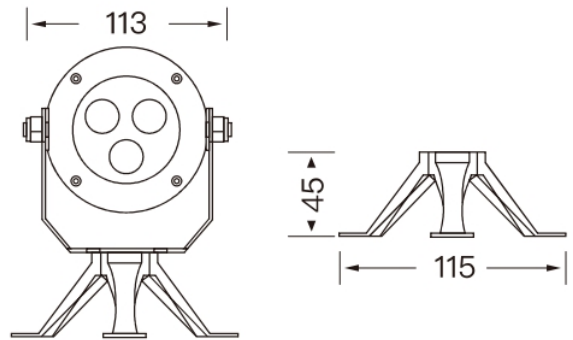
YH-T111115



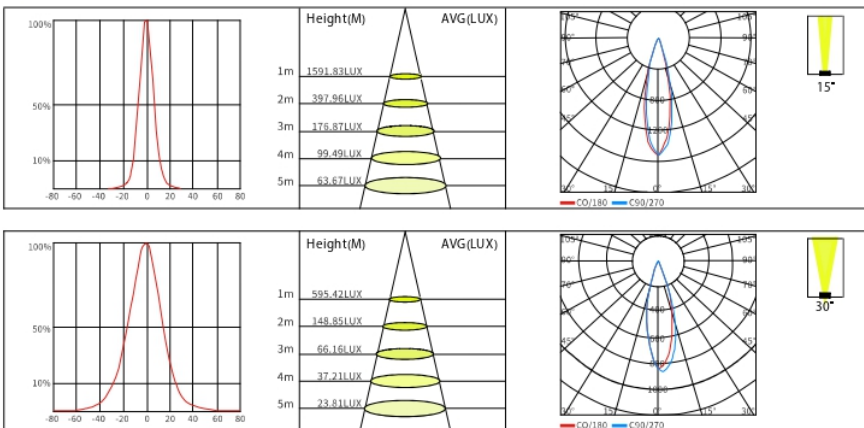
Features

- Body composition: Hard chrome plated stainless steel SUS 316#
- Lens: PMMA, Up to 90% efficiency
- Diffuser: 8mm tempered glass
- IP rated: IP68 for underwater application
- Lighting Engine: CREE/Osram/Epistar
- Ambient Temp.: -20°C~45°C
- Accessories: ABS mounting sleeve
- Wires: Rubber 2X1mm²、3X1mm²、2X1+3X0.5mm²
- Working method: on/off、DMX512、Triac、PWM、1-10V

Dimension(mm)



Typical Photometric



Light Throw



Model	Class	Input Volt	Watt	CCT	Beam Angle	LED Qty	Working Method	Body Composition	Diffuser	IP
YH-T111115	Underwater Lamp	DC24V	6W 9W 12W	3000K 4000K RGB RGBW	25°/30°/40° 60°	3pcs	On/Off DMX512 PWM Triac 1-10V	Steel316#	Tempered Glass	IP68



Recessed underwater Light

- DMX 512
- IP66
- PWM
- RoHS
- DALI
- CE
- 1-10V
- Triac

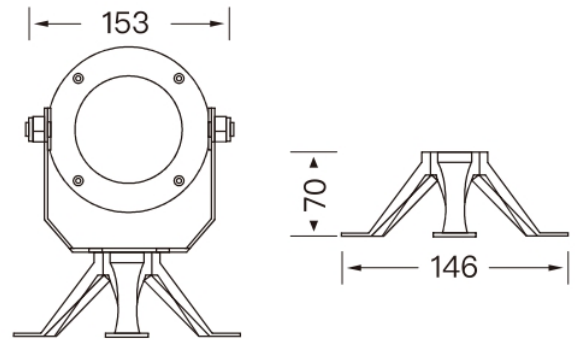
YH+T111116



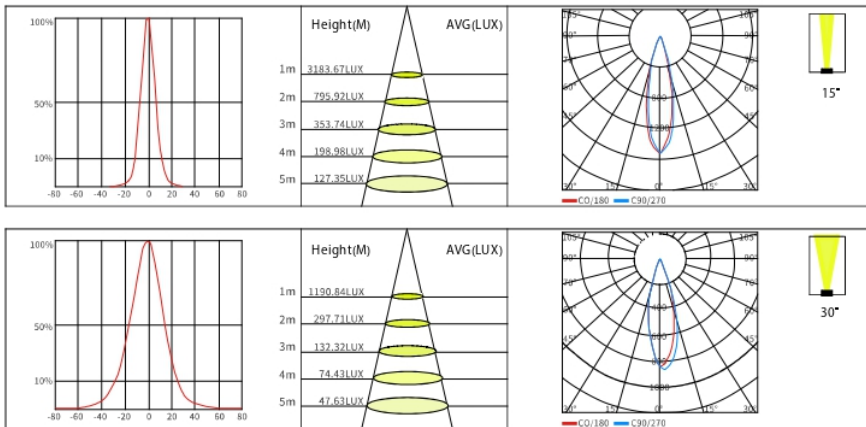
Features

- Body composition: Hard chrome plated stainless steel SUS 316#
- Lens: PMMA, Up to 90% efficiency
- Diffuser: 8mm tempered glass
- IP rated: IP68 for underwater application
- Lighting Engine: CREE/Osram/Epistar
- Ambient Temp.: -20°C~45°C
- Accessories: ABS mounting sleeve
- Wires: Rubber 2X1mm², 3X1mm², 2X1+3X0.5mm²
- Working method: on/off, DMX512, Triac, PWM, 1-10V

Dimension(mm)



Typical Photometric



Light Throw



Model	Class	Input Volt	Watt	CCT	Beam Angle	LED Qty	Working Method	Body Composition	Diffuser	IP
YH-T111116	Underwater Lamp	DC24V	12W 18W 24W	3000K 4000K RGB RGBW	25°/30°/40° 60°	6pcs	On/Off DMX512 PWM Triac 1-10V	Steel316#	Tempered Glass	IP68



Recessed underwater Light

- DMX 512
- IP66
- PWM
- RoHS
- DALI
- CE
- 1-10V
- Triac

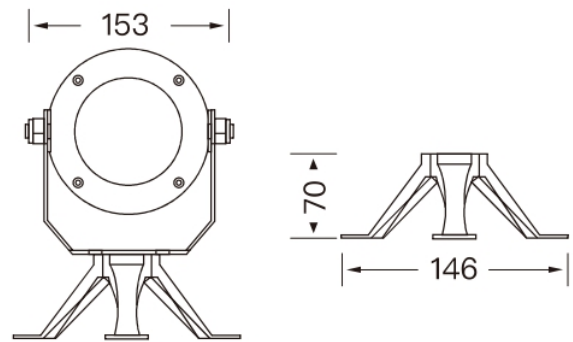
YH-T111117



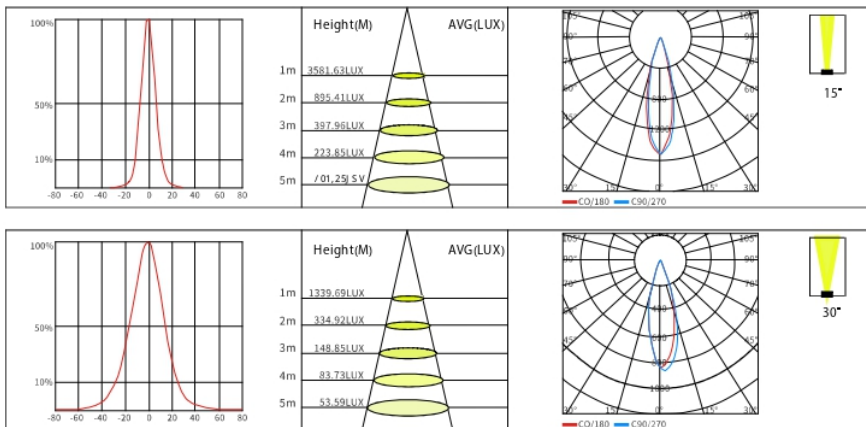
Features

- Body composition: Hard chrome plated stainless steel SUS 316#
- Lens: PMMA, Up to 90% efficiency
- Diffuser: 8mm tempered glass
- IP rated: IP68 for underwater application
- Lighting Engine: CREE/Osram/Epistar
- Ambient Temp.: -20°C~45°C
- Accessories: ABS mounting sleeve
- Wires: Rubber 2X1mm²、3X1mm²、2X1+3X0.5mm²
- Working method: on/off、DMX512、Triac、PWM、1-10V

Dimension(mm)



Typical Photometric



Light Throw



Model	Class	Input Volt	Watt	CCT	Beam Angle	LED Qty	Working Method	Body Composition	Diffuser	IP
YH-T111117	Underwater Lamp	DC24V	18W 27W 36W	3000K 4000K RGB RGBW	25°/30°/40° 60°	9pcs	On/Off DMX512 PWM Triac 1-10V	Steel316#	Tempered Glass	IP68



Recessed underwater Light

- DMX 512
- IP66
- PWM
- RoHS
- DALI
- CE
- 1-10V
- Triac

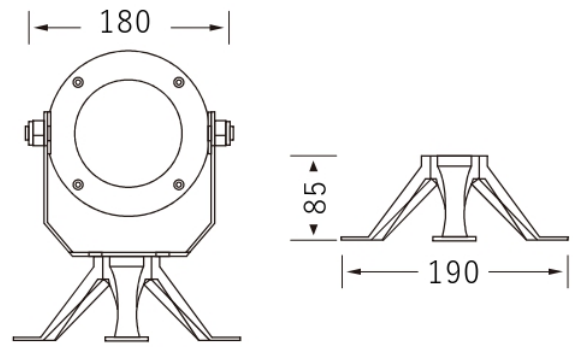
YH-T111118



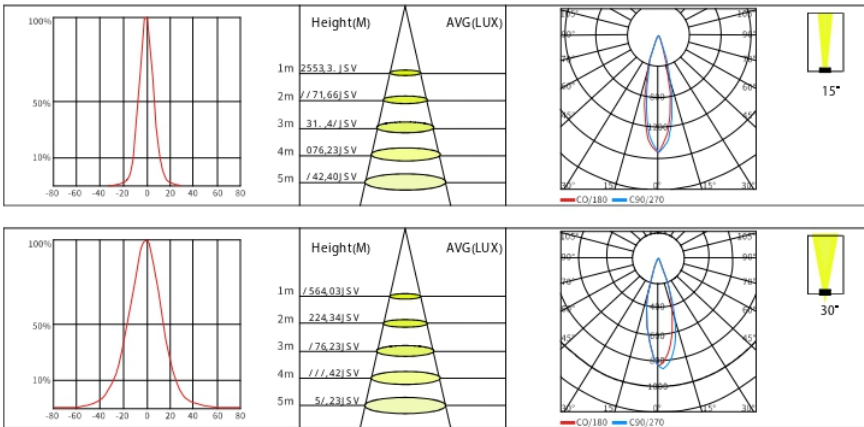
Features

- Body composition: Hard chrome plated stainless steel SUS 316#
- Lens: PMMA, Up to 90% efficiency
- Diffuser: 8mm tempered glass
- IP rated: IP68 for underwater application
- Lighting Engine: CREE/Osram/Epistar
- Ambient Temp.: -20°C~45°C
- Accessories: ABS mounting sleeve
- Wires: Rubber 2X1mm²、3X1mm²、2X1+3X0.5mm²
- Working method: on/off、DMX512、Triac、PWM、1-10V

Dimension(mm)



Typical Photometric



Light Throw



Model	Class	Input Volt	Watt	CCT	Beam Angle	LED Qty	Working Method	Body Composition	Diffuser	IP
YH-T111118	Underwater Lamp	DC24V	24W 36W 48W	3000K 4000K RGB RGBW	25°/30°/40° 60°	12pcs	On/Off DMX512 PWM Triac 1-10V	Steel316#	Tempered Glass	IP68



Recessed underwater Light

- DMX 512
- IP68
- PWM
- RoHS
- DALI
- CE
- 1-10V
- Triac

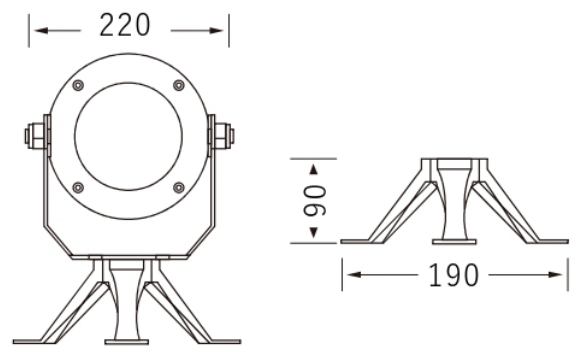
YH-T1111119



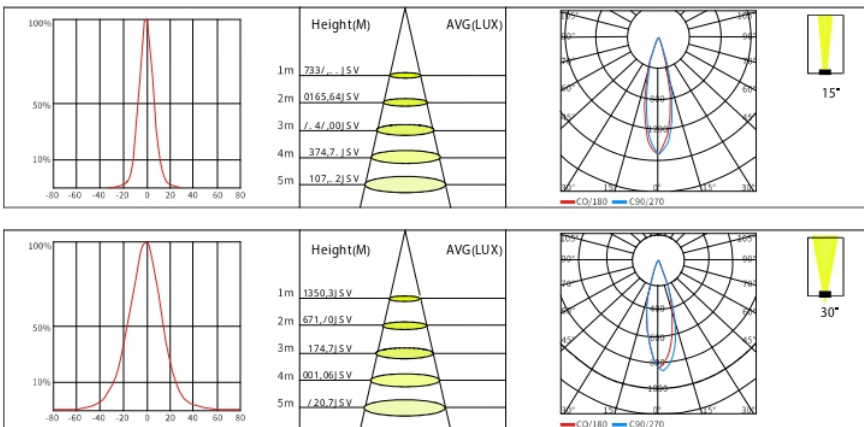
Features

- Body composition: Hard chrome plated stainless steel SUS 316#
- Lens: PMMA, Up to 90% efficiency
- Diffuser: 8mm tempered glass
- IP rated: IP68 for underwater application
- Lighting Engine: CREE/Osram/Epistar
- Ambient Temp.: -20°C~45°C
- Accessories: ABS mounting sleeve
- Wires: Rubber 2X1mm²、3X1mm²、2X1+3X0.5mm²
- Working method: on/off、DMX512、Triac、PWM、1-10V

Dimension(mm)



Typical Photometric



Light Throw

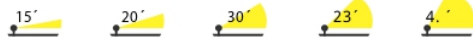


Model	Class	Input Volt	Watt	CCT	Beam Angle	LED Qty	Working Method	Body Composition	Diffuser	IP
YH-T1111119	Underwater Lamp	DC24V	48W 72W 96W	3000K 4000K RGB RGBW	25°/30°/40° 60°	24pcs	On/Off DMX512 PWM Triac 1-10V	Steel316#	Tempered Glass	IP68

LED Landscape Ceiling Light



YH+H122111



DMX
512

IP66

PWM

RoHS

DALI

CE

1-10V

Triac

Features

Body composition ADC12! high density aluminum alloy, outdoor powder coated

Lens PMMA, Up to 90% efficiency

Diffuser 4mm tempered glass

IP rated IP66 for outdoor or wet location

Lighting Engine CREE/Osram/Epistar

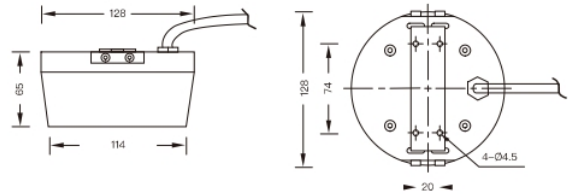
Ambient Temp. -20°C~45°C

Accessories Surface mounted bracket kit

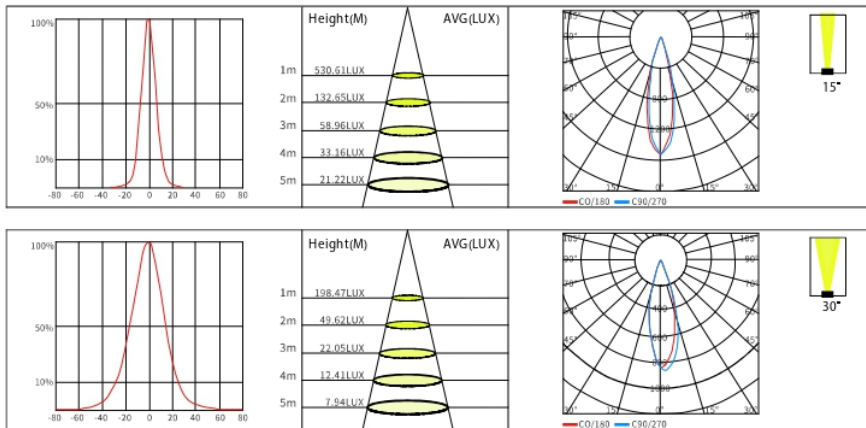
Wires Rubber 2X1mm²、3X1mm²、2X1+3X0.5mm²

Working method on/off、DMX512、Triac、PWM、1-10V

Dimension(mm)



Typical Photometric



Light Throw

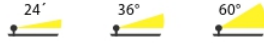


Model	Class	Input Volt	Watt	CCT	Beam Angle	LED Qty	Working Method	Body Composition	Diffuser	IP
YH-H122111	Ceiling Light	DC24V AC220V	18W 18W 24W	3000K 4000K RGB RGBW	15°/20°/30° 40°/60°	6pcs	On/Off DMX512 PWM Triac 1-10V	ADC12# AL	Tempered Glass	IP66

LED Landscape Ceiling Light



YH+H122112



DMX
512

IP66

PWM

RoHS

DALI



1-10V

Triac

Features

Body composition ADC12! high density aluminum alloy, outdoor powder coated

Lens PMMA, Up to 90% efficiency

Diffuser 4mm tempered glass

IP rated IP66 for outdoor or wet location

Lighting Engine CREE/Osram/Epistar

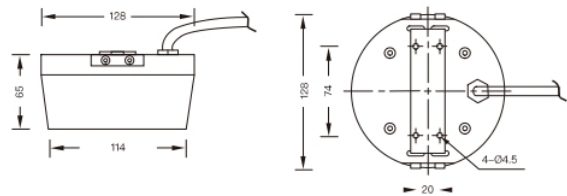
Ambient Temp. -20°C~45°C

Accessories Surface mounted bracket kit

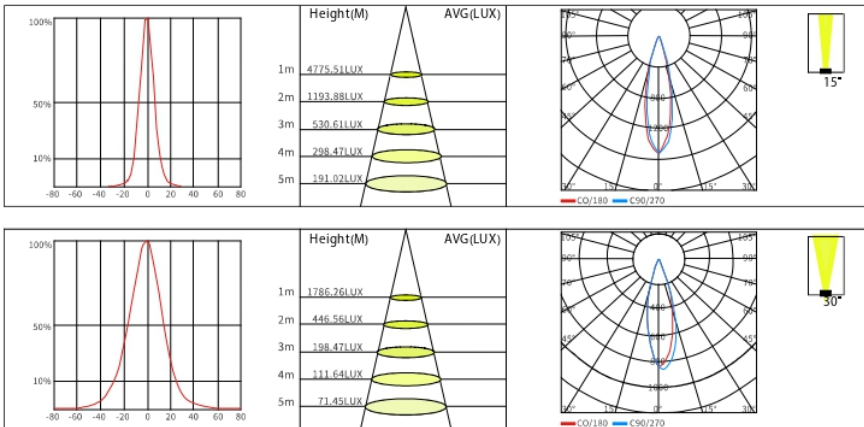
Wires Rubber 2X1mm²、3X1mm²、2X1+3X0.5mm²

Working method on/off、DMX512、Triac、PWM、1-10V

Dimension(mm)



Typical Photometric



Light Throw

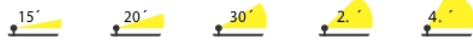


Model	Class	Input Volt	Watt	CCT	Beam Angle	LED Qty	Working Method	Body Composition	Diffuser	IP
YH-H122112	Ceiling Light	DC24V AC220V	18W	3000K 4000K	24°/36°/60°	1pcs	On/Off DMX512 PWM Triac 1-10V	ADC12# AL	Tempered Glass	IP66



LED Landscape Ceiling Light

YH+H122113



DMX
512

IP66

PWM

RoHS

DALI

CE

1-10V

Triac

Features

Body composition ADC12! high density aluminum alloy, outdoor powder coated

Lens PMMA, Up to 90% efficiency

Diffuser 4mm tempered glass

IP rated IP66 for outdoor or wet location

Lighting Engine CREE/Osram/Epistar

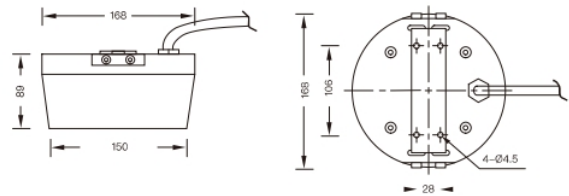
Ambient Temp. -20°C~45°C

Accessories Surface mounted bracket kit

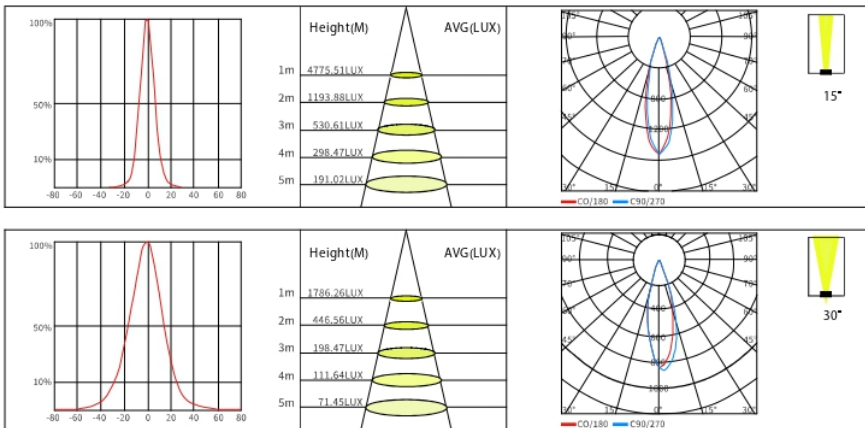
Wires Rubber 2X1mm²、3X1mm²、2X1+3X0.5mm²

Working method on/off、DMX512、Triac、PWM、1-10V

Dimension(mm)



Typical Photometric



Light Throw

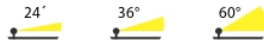


Model	Class	Input Volt	Watt	CCT	Beam Angle	LED Qty	Working Method	Body Composition	Diffuser	IP
YH-H122113	Ceiling Light	DC24V AC220V	18W 27W 36W	3000K 4000K RGB RGBW	15°/20°/30° 40°/60°	12pcs	On/Off DMX512 PWM Triac 1-10V	ADC12# AL	Tempered Glass	IP66



LED Landscape Ceiling Light

YH+H122114



DMX
512

IP66

PWM

RoHS

DALI



1-10V

Triac

Features

Body composition ADC12! high density aluminum alloy, outdoor powder coated

Lens PMMA, Up to 90% efficiency

Diffuser 4mm tempered glass

IP rated IP66 for outdoor or wet location

Lighting Engine CREE/Osram/Epistar

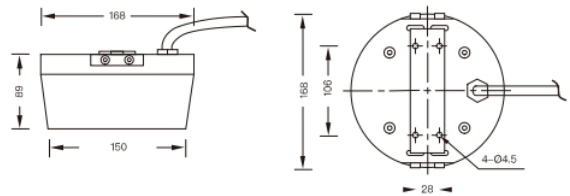
Ambient Temp. -20°C~45°C

Accessories Surface mounted bracket kit

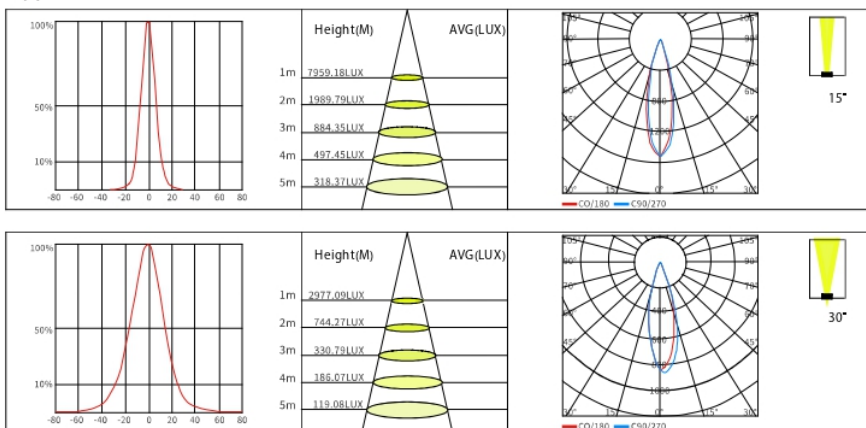
Wires Rubber 2X1mm²、3X1mm²、2X1+3X0.5mm²

Working method on/off、DMX512、Triac、PWM、1-10V

Dimension(mm)



Typical Photometric



Light Throw

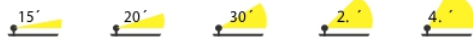


Model	Class	Input Volt	Watt	CCT	Beam Angle	LED Qty	Working Method	Body Composition	Diffuser	IP
YH-H122114	Ceiling Light	DC24V AC220V	30W	3000K 4000K	24°/36°/60°	1pcs	On/Off DMX512 PWM Triac 1-10V	ADC12# AL	Tempered Glass	IP66

LED Landscape Ceiling Light



YH+H122115



DMX
512

IP66

PWM

RoHS

DALI



1-10V

Triac

Features

Body composition ADC12! high density aluminum alloy, outdoor powder coated

Lens PMMA, Up to 90% efficiency

Diffuser 4mm tempered glass

IP rated IP66 for outdoor or wet location

Lighting Engine CREE/Osram/Epistar

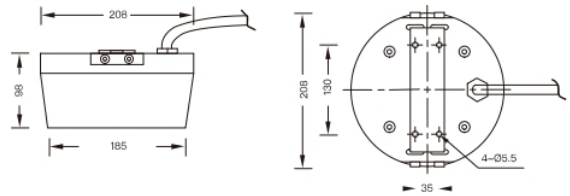
Ambient Temp. -20°C~45°C

Accessories Surface mounted bracket kit

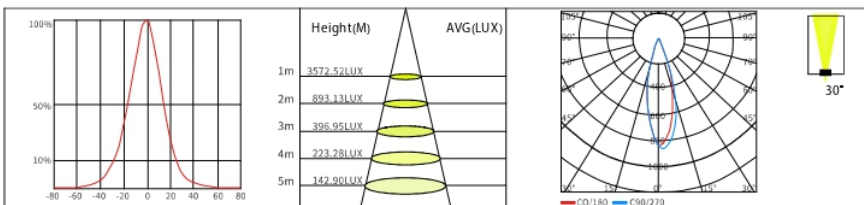
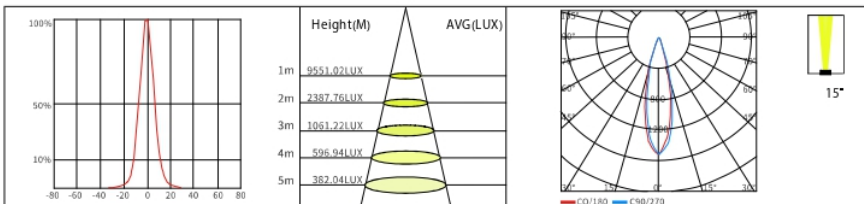
Wires Rubber 2X1mm²、3X1mm²、2X1+3X0.5mm²

Working method on/off、DMX512、Triac、PWM、1-10V

Dimension(mm)



Typical Photometric



Light Throw

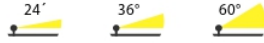


Model	Class	Input Volt	Watt	CCT	Beam Angle	LED Qty	Working Method	Body Composition	Diffuser	IP
YH-H122115	Ceiling Light	DC24V AC220V	36W 54W 72W	3000K 4000K RGB RGBW	15°/20°/30° 40°/60°	24pcs	On/Off DMX512 PWM Triac 1-10V	ADC12# AL	Tempered Glass	IP66

LED Landscape Ceiling Light



YH+H122116



DMX
512

IP66

PWM

RoHS

DALI



1-10V

Triac

Features

Body composition ADC12! high density aluminum alloy, outdoor powder coated

Lens PMMA, Up to 90% efficiency

Diffuser 4mm tempered glass

IP rated IP66 for outdoor or wet location

Lighting Engine CREE/Osram/Epistar

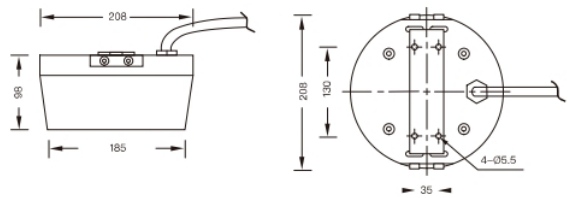
Ambient Temp. -20°C~45°C

Accessories Surface mounted bracket kit

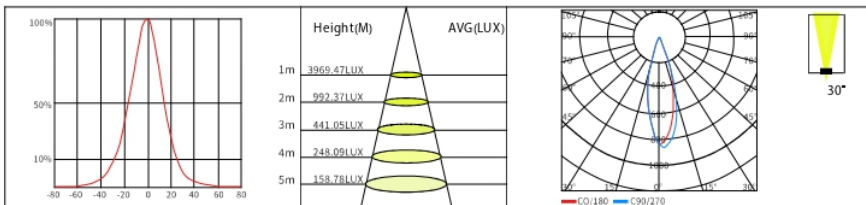
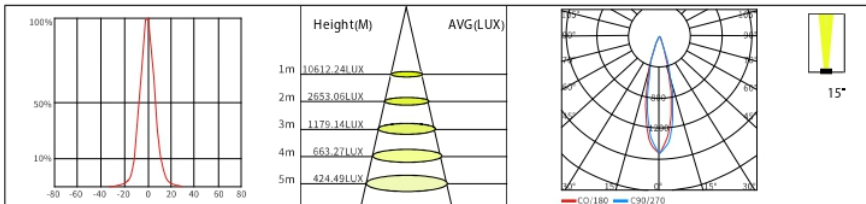
Wires Rubber 2X1mm²、3X1mm²、2X1+3X0.5mm²

Working method on/off、DMX512、Triac、PWM、1-10V

Dimension(mm)



Typical Photometric



Light Throw

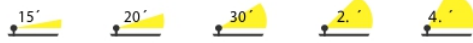


Model	Class	Input Volt	Watt	CCT	Beam Angle	LED Qty	Working Method	Body Composition	Diffuser	IP
YH-H122116	Ceiling Light	DC24V AC220V	40W	3000K 4000K	24°/36°/60°	4pcs	On/Off DMX512 PWM Triac 1-10V	ADC12# AL	Tempered Glass	IP66

LED Landscape Ceiling Light



YH+H122117



DMX
512

IP66

PWM

RoHS

DALI

CE

1-10V

Triac

Features

Body composition ADC12! high density aluminum alloy, outdoor powder coated

Lens PMMA, Up to 90% efficiency

Diffuser 4mm tempered glass

IP rated IP66 for outdoor or wet location

Lighting Engine CREE/Osram/Epistar

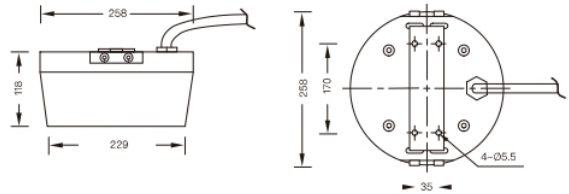
Ambient Temp. -20°C~45°C

Accessories Surface mounted bracket kit

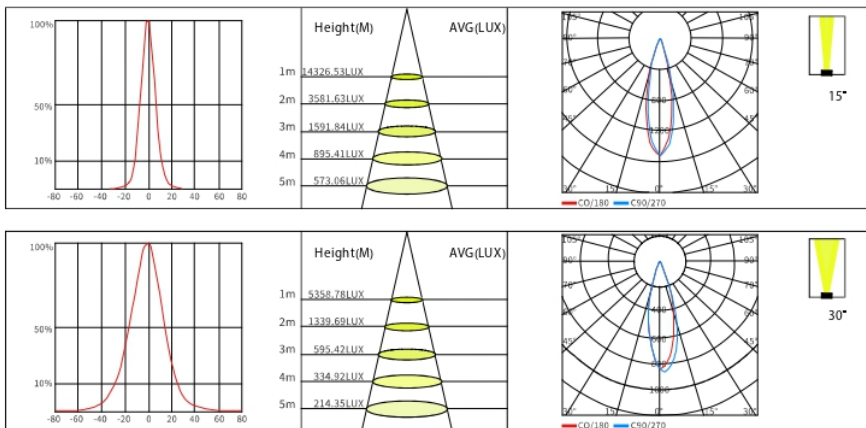
Wires Rubber 2X1mm²、3X1mm²、2X1+3X0.5mm²

Working method on/off、DMX512、Triac、PWM、1-10V

Dimension(mm)



Typical Photometric



Light Throw



Model	Class	Input Volt	Watt	CCT	Beam Angle	LED Qty	Working Method	Body Composition	Diffuser	IP
YH-H122117	Ceiling Light	DC24V AC220V	54W 81W 108W	3000K 4000K RGB RGBW	15°/20°/30° 40°/60°	36pcs	On/Off DMX512 PWM Triac 1-10V	ADC12# AL	Tempered Glass	IP66

LED Landscape Ceiling Light



YH+H122118



DMX
512

IP66

PWM

RoHS

DALI



1-10V

Triac

Features

Body composition ADC12! high density aluminum alloy, outdoor powder coated

Lens PMMA, Up to 90% efficiency

Diffuser 4mm tempered glass

IP rated IP66 for outdoor or wet location

Lighting Engine CREE/Osram/Epistar

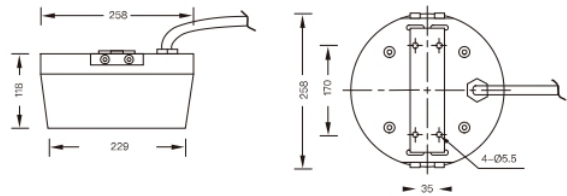
Ambient Temp. -20°C~45°C

Accessories Surface mounted bracket kit

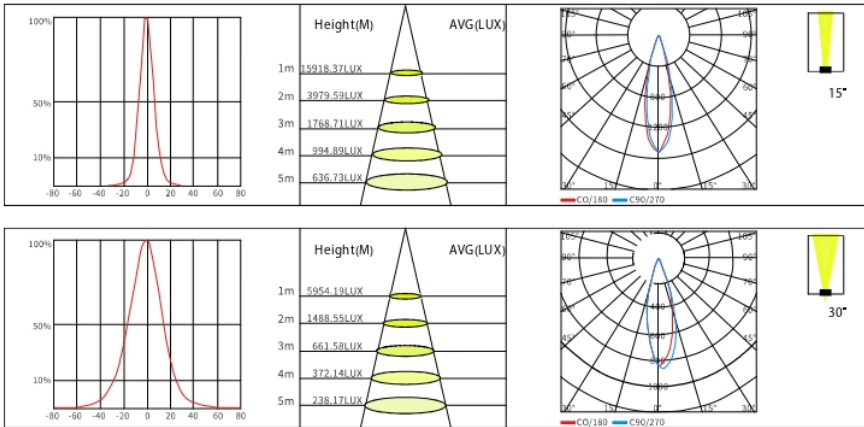
Wires Rubber 2X1mm²、3X1mm²、2X1+3X0.5mm²

Working method on/off、DMX512、Triac、PWM、1-10V

Dimension(mm)



Typical Photometric



Light Throw

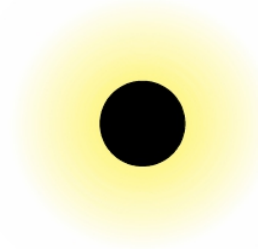


Model	Class	Input Volt	Watt	CCT	Beam Angle	LED Qty	Working Method	Body Composition	Diffuser	IP
YH-H122118	Ceiling Light	DC24V AC220V	60W	3000K 4000K	24°/36°/60°	4pcs	On/Off DMX512 PWM Triac 1-10V	ADC12# AL	Tempered Glass	IP66

LED Wall Lamp



YH-B1008



LightThrow

PWM

IP65

DALI

RoHS

DMX
512

CE

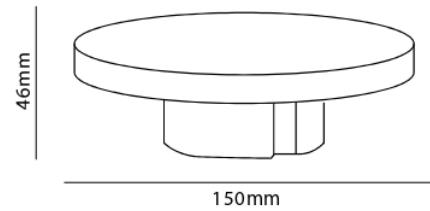
1-10V

Triac

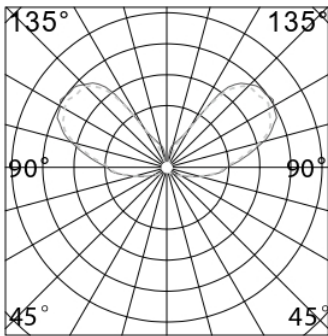
Features

Body composition	Die-cast Aluminium body Protective powder coated finish
Lens	/
Diffuser	Resin
IP rating	IP65, for outdoor or wet location
Lighting Engine	CREE/Osram/Epistar
Ambient Temp.	-20°C~45°C
Accessories	Surface mounted bracket kit
Wires	Rubber 2X1mm ² 、3X1mm ² 、2X1+3X0.5mm ²
Working method	on/off、DMX512、Triac、PWM、1-10V

Dimension(mm)



Typical Photometric



Model	Class	Input Volt	Watt	CCT	Beam Angle	LED Qty	Typical Lumen Data	IK Rated	SDCM	CRI
YH-B1008	Wall Lamp	DC24V	8W 12W	2700K 3000K 4000K 5000K	160°	24	@3000K 60lm/w 480lm/8w 720lm/12w	Ik10	3	80

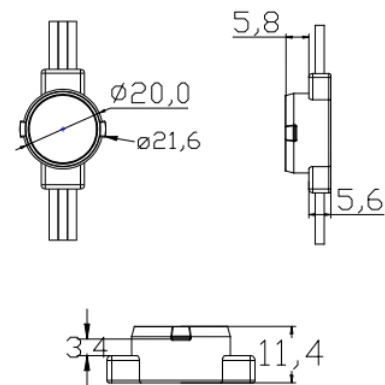


- PWM
- IP68
- DALI
- RoHS
- DMX 512
- CE
- 1-10V
- Triac

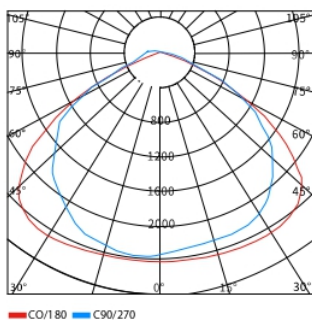
Features

- Body composition High density PC with fully polyurethane encapsulation
- Beam Angle Wide beam angle for better display
- Safety anti-flame V-0
- IP rated IP68 for outdoor or wet location
- Lighting Engine CREE/Osram/Epistar
- Ambient Temp. -20°C~45°C
- Accessories Alum clip or Alum track
- Wires Rubber 2X1mm²、2X1+3X0.5mm²
- Working method on/off、DMX512、Triac、PWM、1-10V

Dimension(mm)



Typical Photometric



Installation by AL track



Light Throw



Model	Class	Input Volt	Watt	CCT	Beam Angle	LED Qty	Working Method	Body Composition	Diffuser	IP
YH-G440801	Pixel Light	DC24V	0.3W	3000K 4000K RGB	120°	1	On/Off DMX512	PC	PC	IP68



- PWM
- IP68
- DALI
- RoHS
- DMX 512
- CE
- 1-10V
- Triac

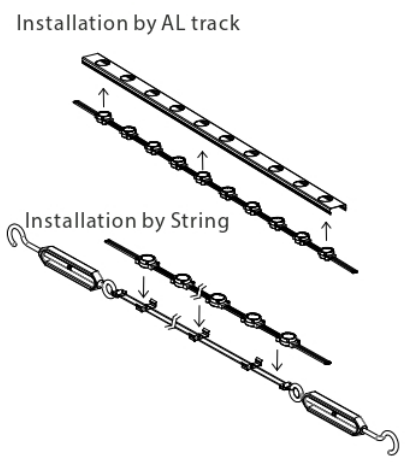
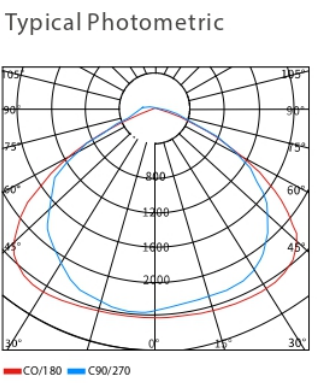
Features

- Body composition: High density PC with fully polyurethane encapsulation
- Beam Angle: Wide beam angle for better display
- Safety: anti-flame V-0
- IP rated: IP68 for outdoor or wet location
- Lighting Engine: CREE/Osram/Epistar
- Ambient Temp: -20°C~45°C
- Accessories: Alum clip or Alum track
- Wires: Rubber 2X1mm²、2X1+3X0.5mm²
- Working method: on/off、DMX512、Triac、PWM、1-10V

Dimension(mm)

Technical drawings showing dimensions in millimeters:

- Top view: 42.00 (width), 30.00 (height), 4.00 (hole offset), 31.80 (hole diameter)
- Side view: 7.00 (height), 3.20 (clip height)
- Front view: 14.00 (width)

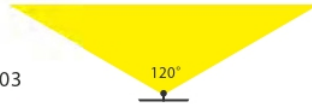


Model	Class	Input Volt	Watt	CCT	Beam Angle	LED Qty	Working Method	Body Composition	Diffuser	IP
YH-G440802	Pixel Light	DC24V	0.72W	3000K 4000K RGB	120°	4	On/Off DMX512	PC	PC	IP68



LED Pixel Light

YH-G440803

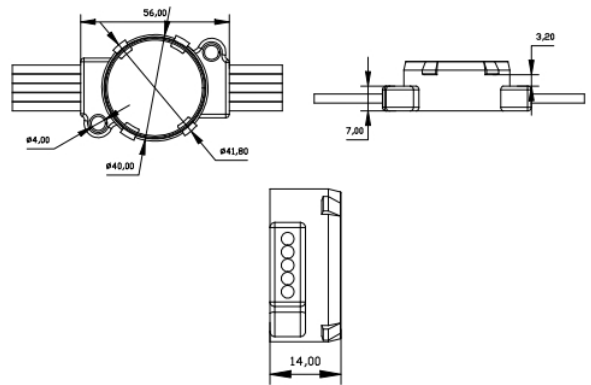


- PWM
- IP68
- DALI
- RoHS
- DMX 512
- CE
- 1-10V
- Triac

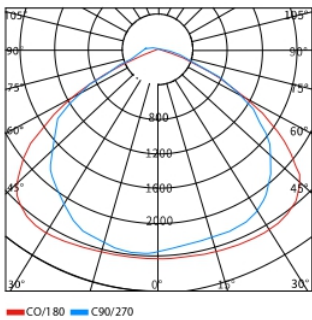
Features

- Body composition High density PC with fully polyurethane encapsulation
- Beam Angle Wide beam angle for better display
- Safety anti-flame V-0
- IP rated IP68 for outdoor or wet location
- Lighting Engine CREE/Osram/Epistar
- Ambient Temp. -20°C~45°C
- Accessories Alum clip or Alum track
- Wires Rubber 2X1mm²、2X1+3X0.5mm²
- Working method on/off、DMX512、Triac、PWM、1-10V

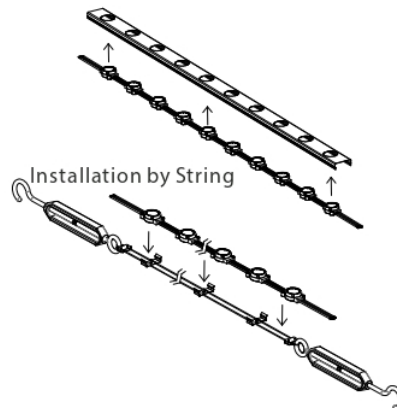
Dimension(mm)



Typical Photometric



Installation by AL track



Light Throw



Model	Class	Input Volt	Watt	CCT	Beam Angle	LED Qty	Working Method	Body Composition	Diffuser	IP
YH-G440803	Pixel Light	DC24V	1.44W	3000K 4000K RGB	120°	8	On/Off DMX512	PC	PC	IP68

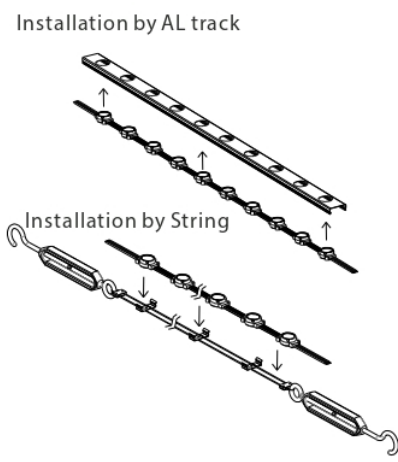
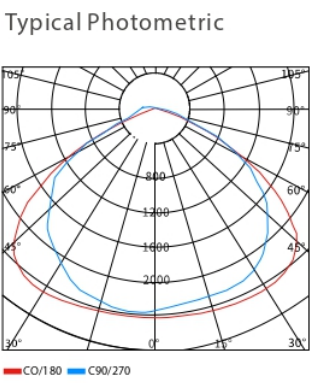


- PWM
- IP68
- DALI
- RoHS
- DMX 512
- CE
- 1-10V
- Triac

Features

- Body composition: High density PC with fully polyurethane encapsulation
- Beam Angle: Wide beam angle for better display
- Safety: anti-flame V-0
- IP rated: IP68 for outdoor or wet location
- Lighting Engine: CREE/Osram/Epistar
- Ambient Temp: -20°C~45°C
- Accessories: Alum clip or Alum track
- Wires: Rubber 2X1mm²、2X1+3X0.5mm²
- Working method: on/off、DMX512、Triac、PWM、1-10V

Dimension(mm)



Model	Class	Input Volt	Watt	CCT	Beam Angle	LED Qty	Working Method	Body Composition	Diffuser	IP
-------	-------	------------	------	-----	------------	---------	----------------	------------------	----------	----

YH-G440804	Pixel Light	DC24V	1.92W	3000K 4000K RGB	120°	10	On/Off DMX512	PC	PC	IP68
------------	-------------	-------	-------	-----------------------	------	----	------------------	----	----	------